

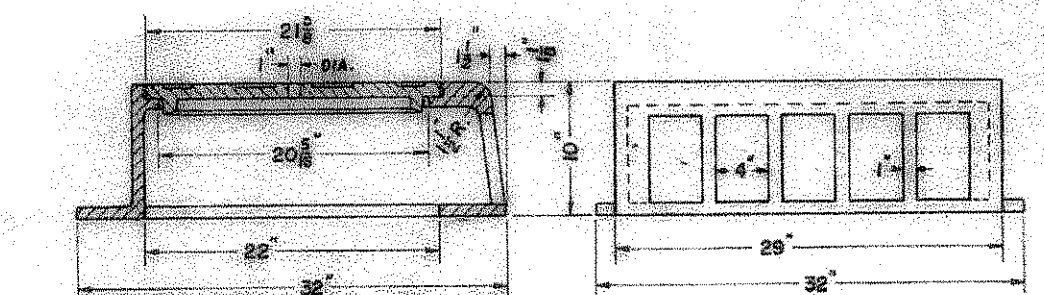
**2 GRATE INLET DETAIL**  
N.T.S.

NOTE: GRATE SHALL BE CATALOG No. R-4832-B AS MANUFACTURED BY NEENAH FOUNDRY  
FRAME SHALL BE CATALOG No. R-4899 ANGLE FRAME AS MANUFACTURED BY NEENAH FOUNDRY COMPANY, OR EQUAL.

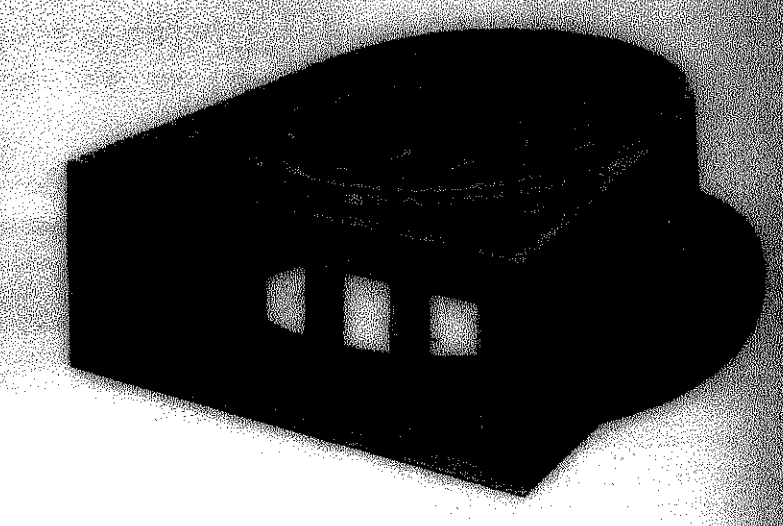
NEENAH

**R-3305 Catch Basin Frame and Lid**

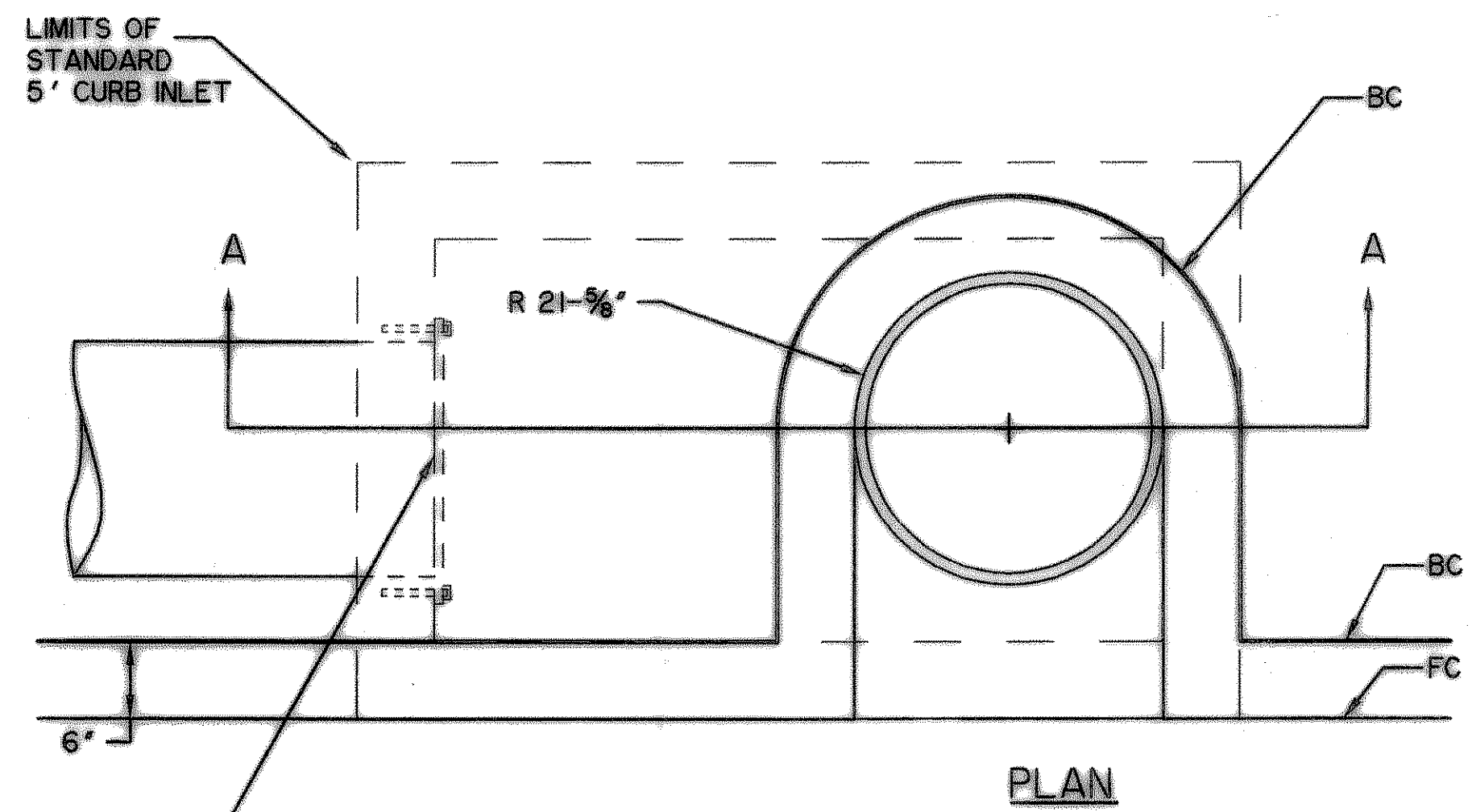
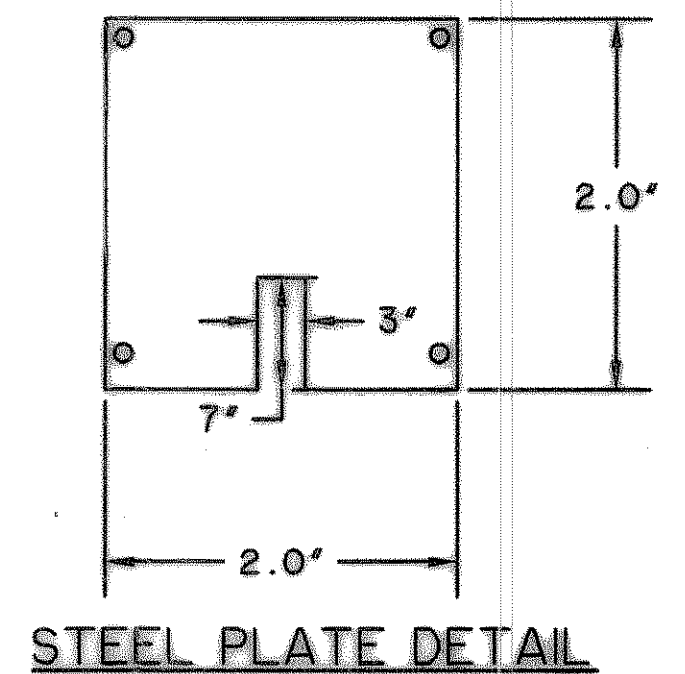
For behind-the-curb construction.  
Heavy Duty  
Total Weight 425 Pounds



CONTRACTOR TO PROVIDE SPECIFIED CATCH BASIN FRAME AND LID OR APPROVED EQUAL



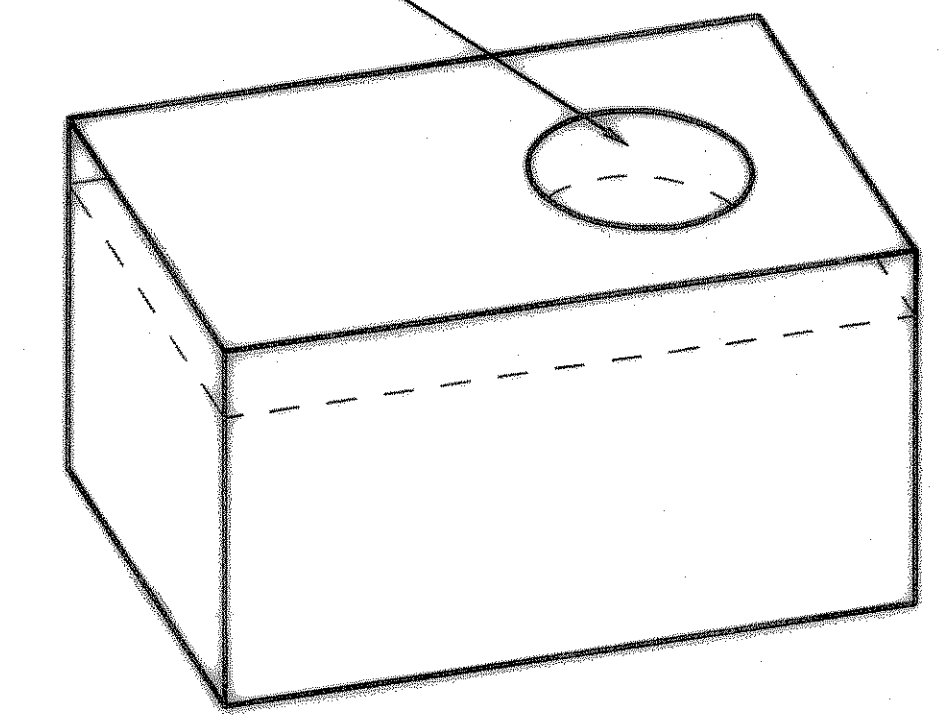
**RECORD DRAWING**  
03/13/07



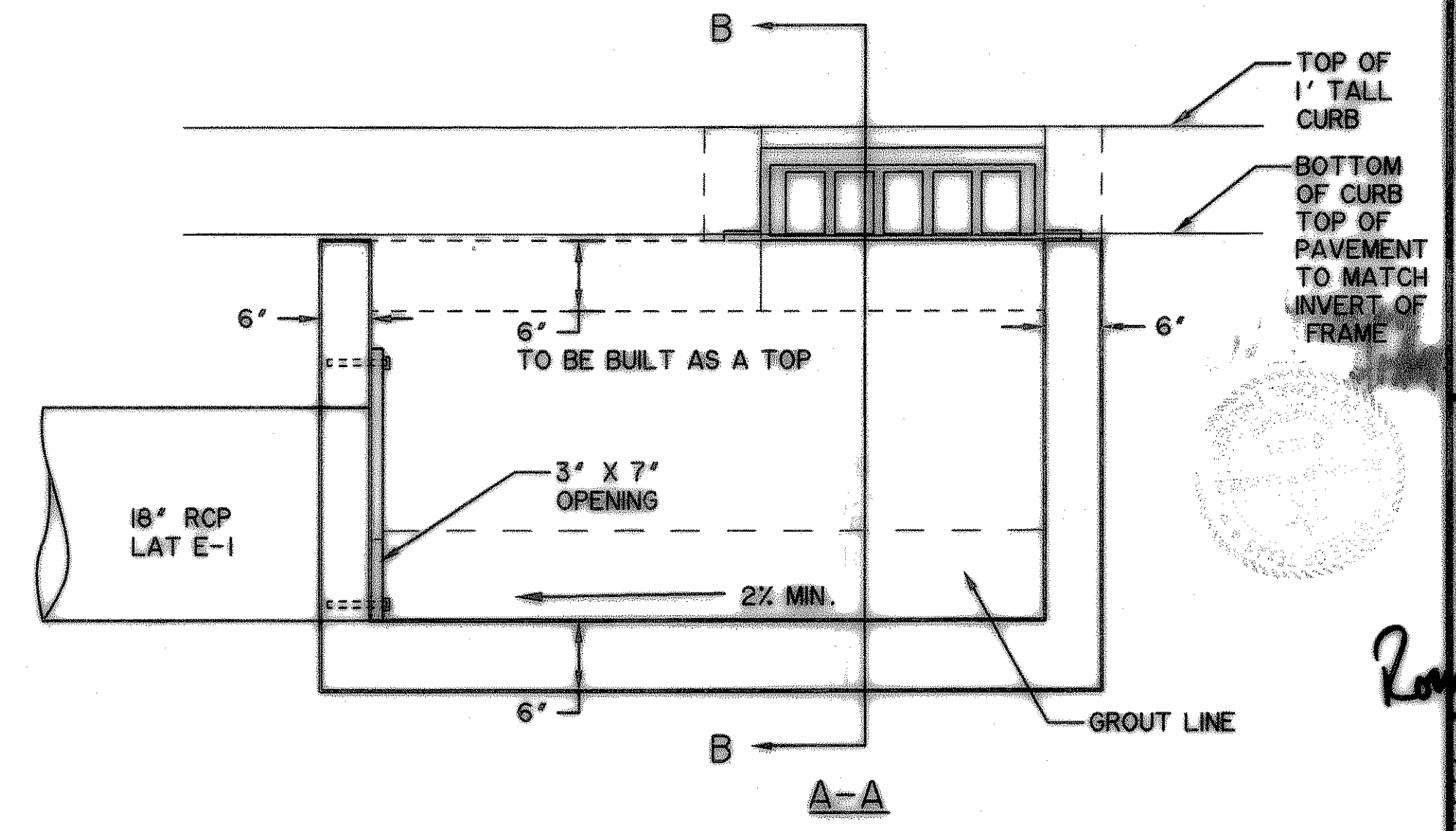
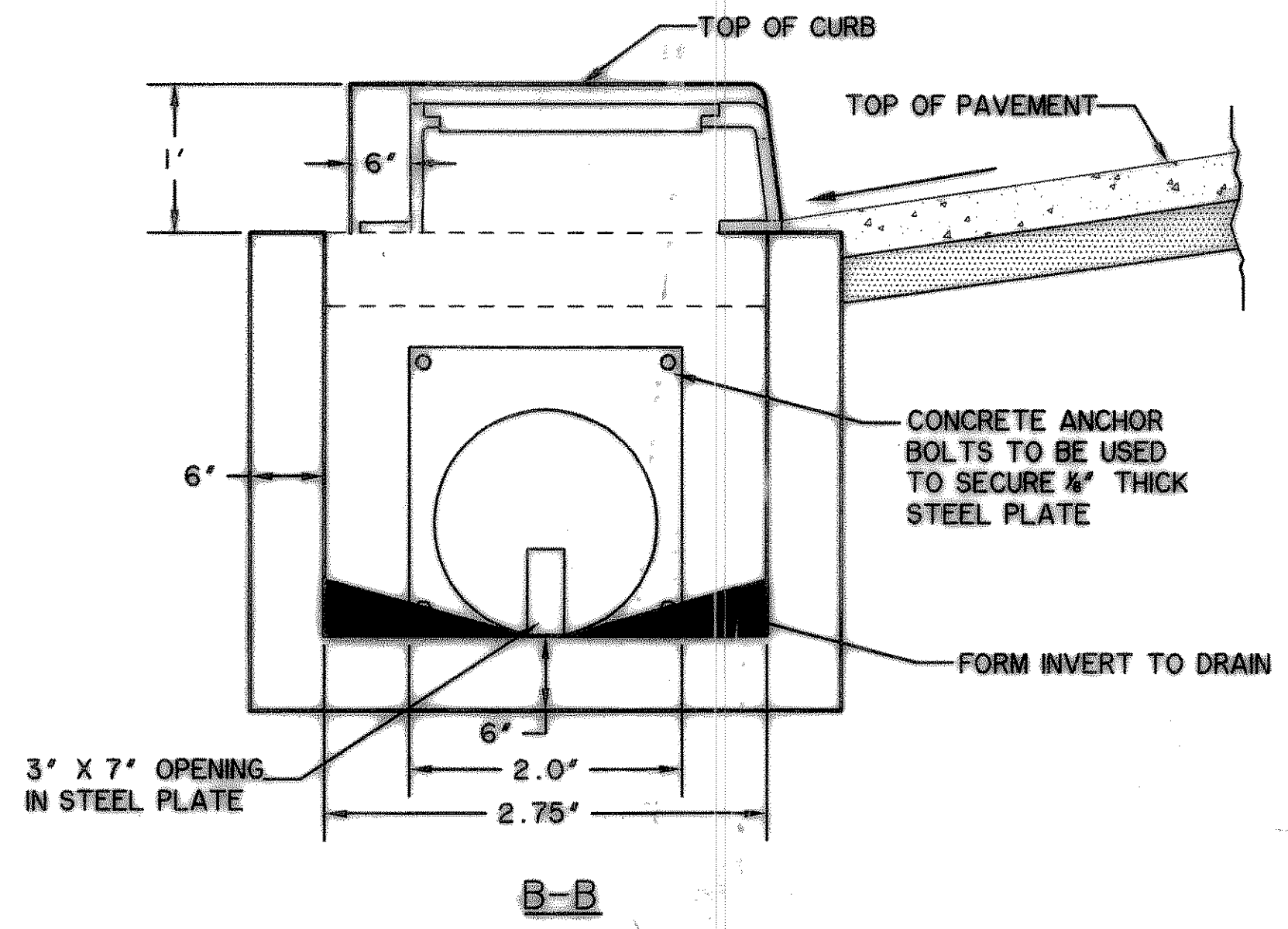
STEEL PLATE ATTACHED WITH CONCRETE ANCHOR BOLTS. BOLTS ARE TYPE WEJ-IT, REDHEAD, OR EQUIVALENT.

**SPECIAL CURB/DETENTION INLET AT S.W. PARKING AREA**  
SCALE: NTS

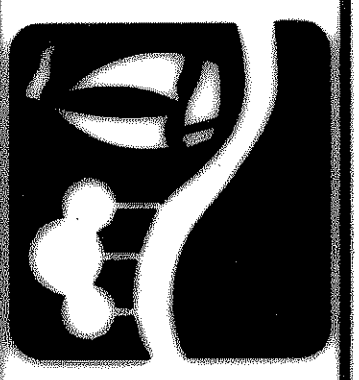
CONSTRUCT STANDARD 5' CURB INLET WITH TOP



ISOMETRIC OF STANDARD 5' INLET WITH TOP

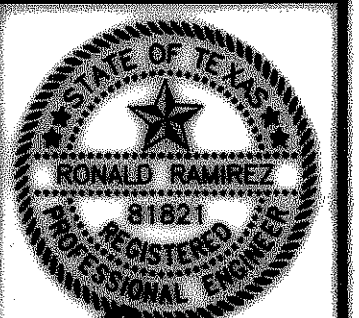


PREPARED BY:  
**VIA WIER & ASSOCIATES, INC.**  
ENGINEERS SURVEYORS LAND PLANNERS  
4300 BELTWAY PLACE SUITE 130 ARLINGTON, TEXAS 76018 METRO (817)467-7700  
1300 U.S. HIGHWAY 207 N. SUITE 101 WANSFIELD, TEXAS 76063 METRO (817)477-8700  
6849 ELM STREET FRSQO, TEXAS 76034 METRO (214)387-8000  
www.viawierassociates.com



CITY OF  
**ROCKWALL**  
WHITMORE EXPANSION

**STORM WATER DETENTION DETAILS**



*Ronald Ramirez*

COPYRIGHT © WIER & ASSOCIATES, INC.  
LAST SHEET EDIT  
DATE 03/13/2007  
WAH 04124.02  
**SHEET NO. D201**

FILE: SDdetails-04124\_02.dwg  
TIME: 14:10:02