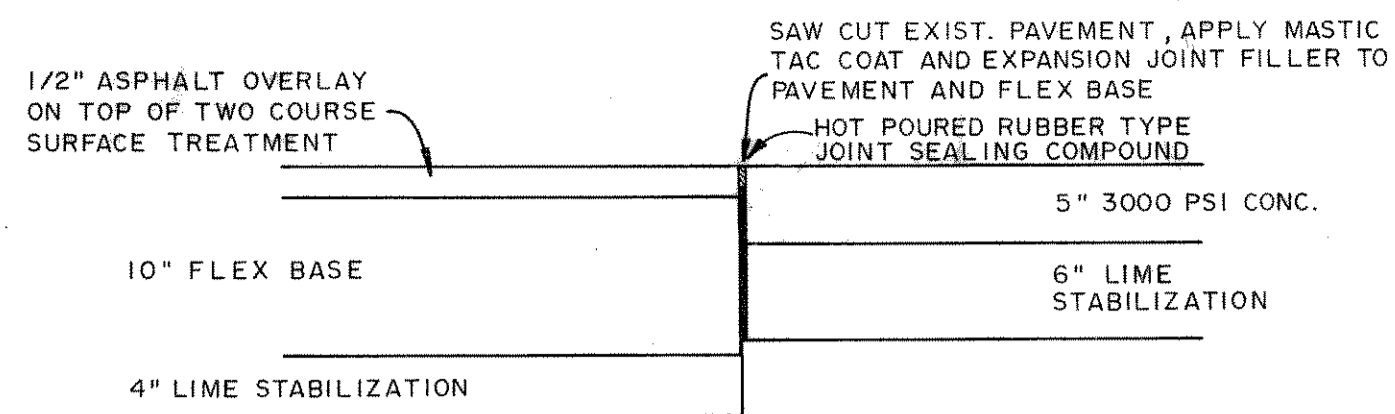
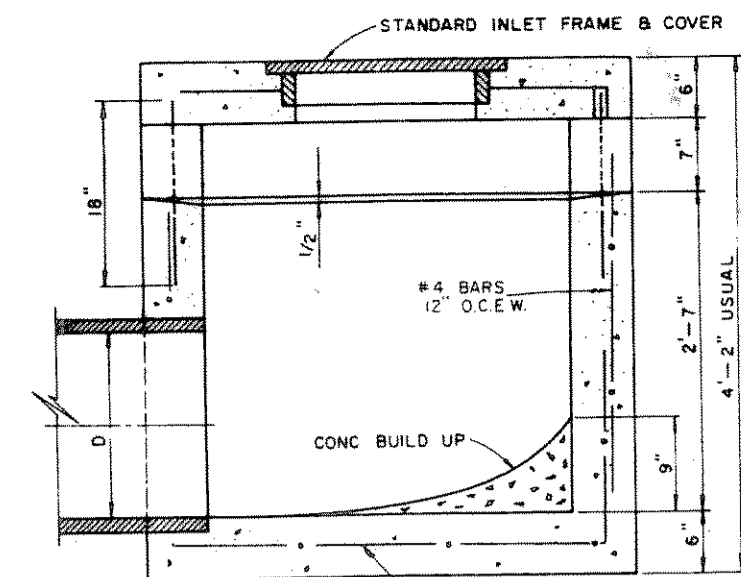


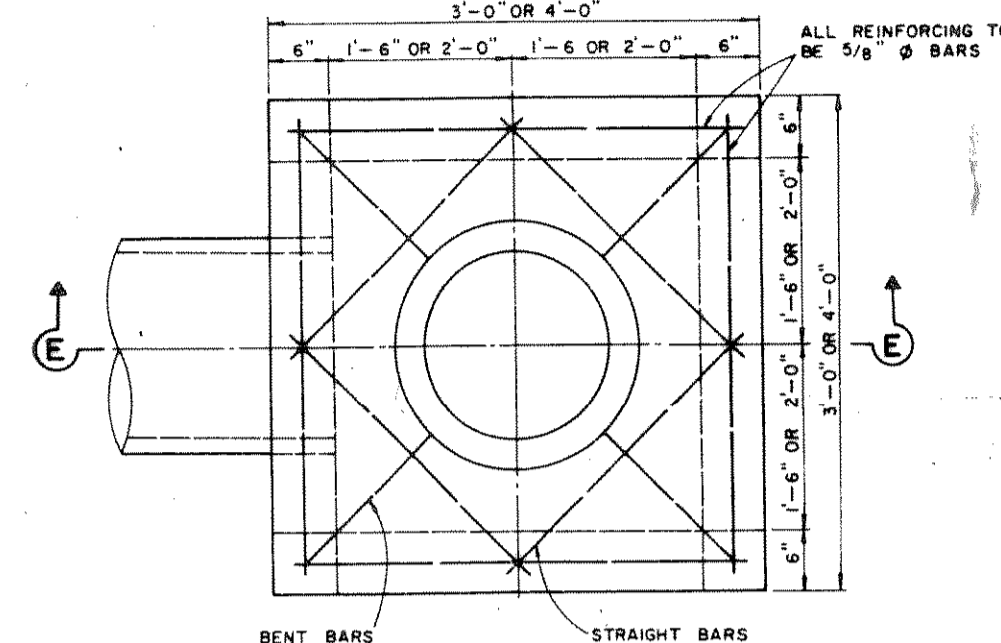
KEY MAP  
SCALE: 1"=400'



PAVEMENT CONNECTION DETAIL



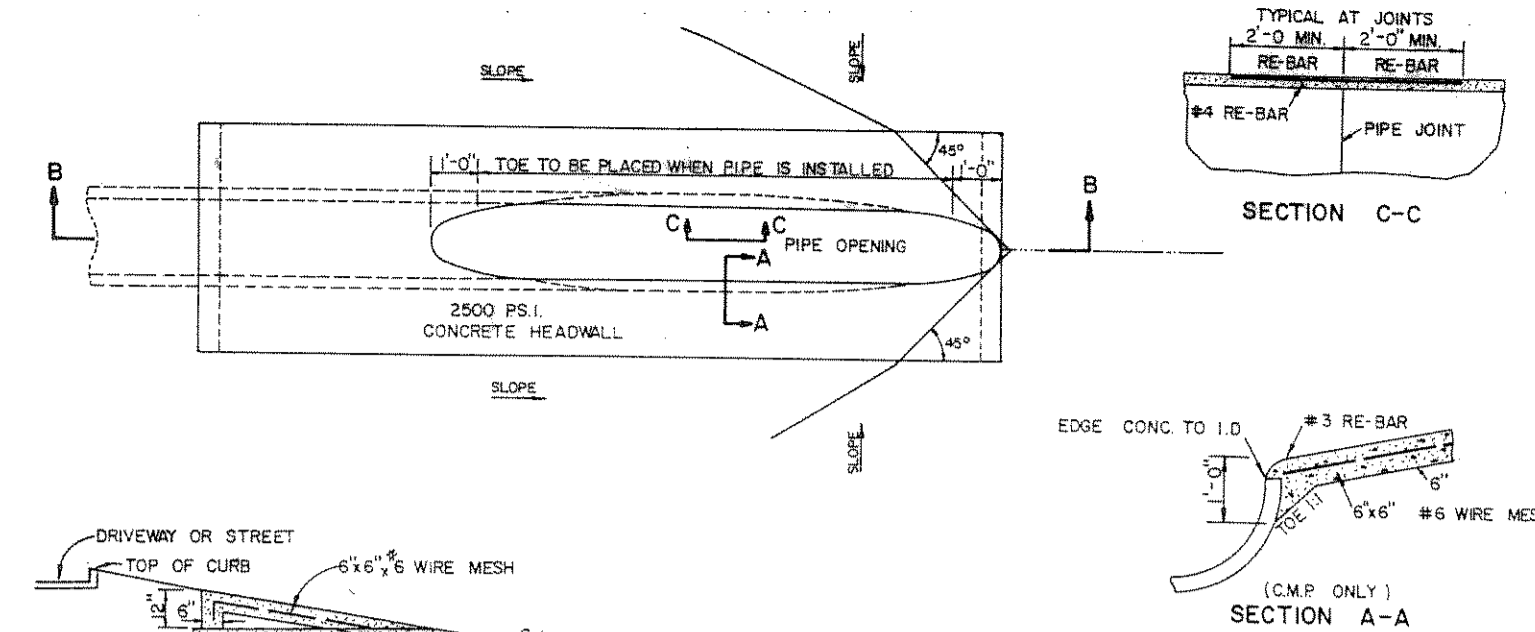
SECTION E-E



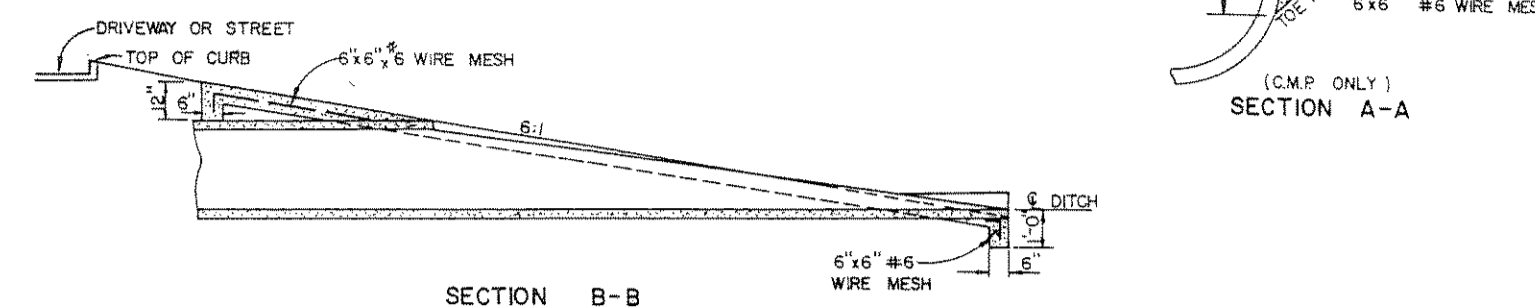
PLAN

STANDARD DROP INLET  
N.T.S.

- NOTES
1. ALL LAPS AND EXTENSIONS OF REINFORCING BARS SHALL BE 36 BAR DIAMETERS UNLESS NOTED OTHERWISE.
  2. TACK WELD GRATES IN PLACE.
  3. PIPE MAY BE PLACED IN ANY WALL, BUT SHALL NOT ENTER ANY CORNER OR AT PLASTER.



SECTION C-C



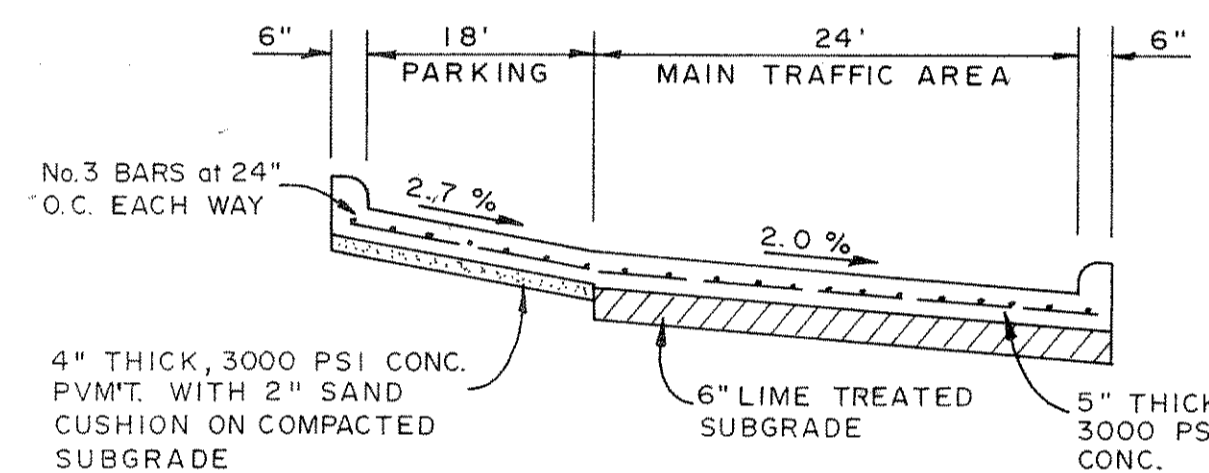
SECTION A-A



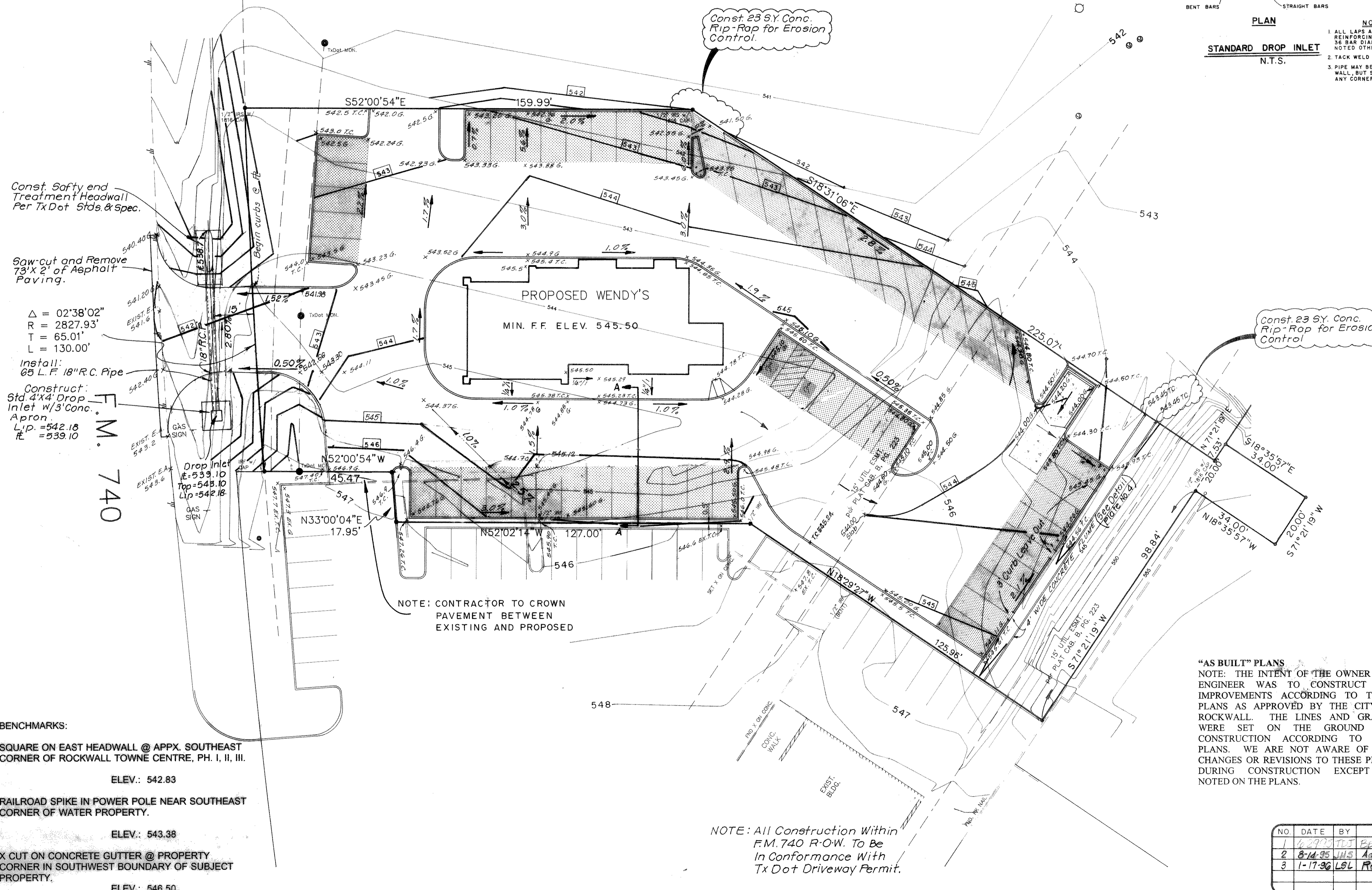
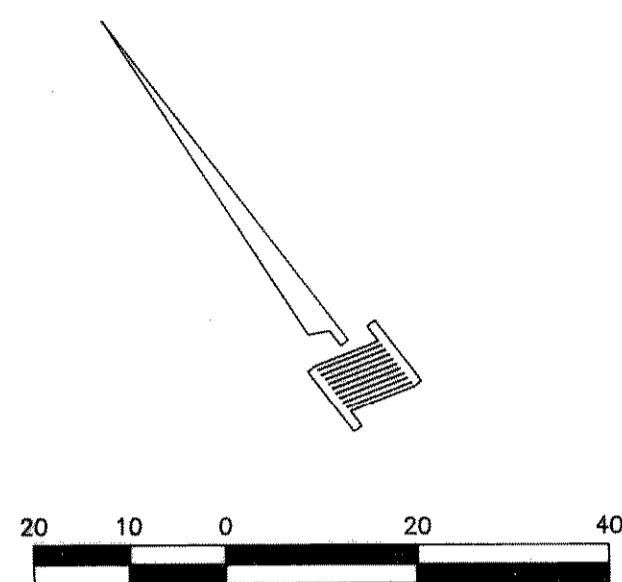
SECTION B-B

SECTION A-A

SPECIAL HEADWALL  
(FOR HIGHWAY CULVERTS)



SECTION A-A



Const. Softy end Treatment Headwall Per Tx Dot Stds. & Spec.

Saw-cut and Remove 7'3\"/>

$\Delta = 02'38''02''$   
 $R = 2827.93'$   
 $T = 65.01'$   
 $L = 130.00'$

Install:  
 60 L.F. 18\"/>

Construct:  
 Std 4'x4' Drop Inlet w/3' Conc. Apron  
 L.P.D. = 542.18  
 E. = 539.10

- BENCHMARKS:
- SQUARE ON EAST HEADWALL @ APPX. SOUTHEAST CORNER OF ROCKWALL TOWNE CENTRE, PH. I, II, III.  
ELEV.: 542.83
  - RAILROAD SPIKE IN POWER POLE NEAR SOUTHEAST CORNER OF WATER PROPERTY.  
ELEV.: 543.38
  - X CUT ON CONCRETE GUTTER @ PROPERTY CORNER IN SOUTHWEST BOUNDARY OF SUBJECT PROPERTY.  
ELEV.: 546.50

NOTE: CONTRACTOR TO CROWN PAVEMENT BETWEEN EXISTING AND PROPOSED

NOTE: All Construction Within F.M. 740 R.O.W. To Be In Conformance With Tx Dot Driveway Permit.

"AS BUILT" PLANS  
 NOTE: THE INTENT OF THE OWNER AND ENGINEER WAS TO CONSTRUCT THE IMPROVEMENTS ACCORDING TO THESE PLANS AS APPROVED BY THE CITY OF ROCKWALL. THE LINES AND GRADES WERE SET ON THE GROUND FOR CONSTRUCTION ACCORDING TO SAID PLANS. WE ARE NOT AWARE OF ANY CHANGES OR REVISIONS TO THESE PLANS DURING CONSTRUCTION EXCEPT AS NOTED ON THE PLANS.

6-27-95  
 Willis A. Anderson  
 62598

NO	DATE	BY	REVISION
1	6-27-95	WAA	Initial
2	8-14-95	WAA	Add 18' ROP, travel, Y inlet
3	1-17-96	L9L	Revised Grade over water Line

PAVING & GRADING PLAN

**WENDY'S**  
 2545 RIDGE ROAD  
 E. P. GAINES CHISUM SURVEY, ABSTRACT NO. 64  
 JAMES SMITH SURVEY, ABSTRACT NO. 200  
 CITY OF ROCKWALL, ROCKWALL CO., TEXAS

**DOWDEY, ANDERSON & ASSOCIATES, INC.**  
 16250 DALLAS PKWY. (214) 931-0694 DALLAS, TEXAS

DESIGN	DRAWN	CHECKED	DATE	SCALE	JOB	SHEET
T.D.J.	T.D.J.	W.A.A.	6-23-95	1"=20'	94-090	