

LEGEND

- PROPOSED CONTOURS
- EXISTING CONTOURS
- DRAINAGE AREA DIVIDE
- FLOW ARROWS
- DRAINAGE AREA NUMBER
- ACRES
- Q₁₀₀

AREA NO.	DRAINAGE AREA (ACRES)	PRE-DEV. RUNOFF COEFFICIENT (C)	DEV. RUNOFF COEFFICIENT (C)	PRE-DEV. "TC" (MIN.)	DEV. "TC" (MIN.)	PRE-DEV. INTENSITY-"I" (IN/HR) 100-yr.	DEV. INTENSITY-"I" (IN/HR) 100-yr.	PRE-DEV. RUNOFF - "Q" (CFS) 100-yr.	DEV. RUNOFF - "Q" (CFS) 100-yr.
1	0.09	0.35	0.9	20	10	8.3	9.8	0.26	0.79
2	0.70	0.35	0.9	20	10	8.3	9.8	2.03	6.17
3	1.45	0.35	0.9	20	10	8.3	9.8	4.21	12.78
04	1.72	0.35	0.9	20	10	8.3	9.8	5.08	15.17

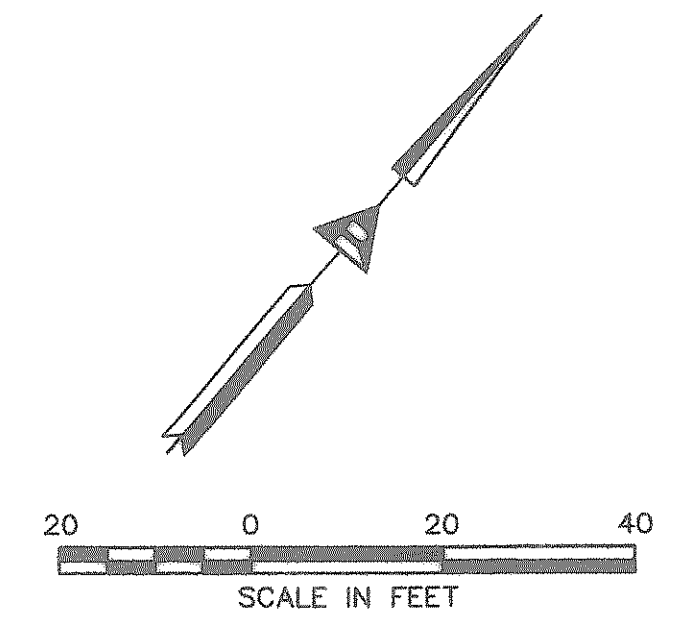
INLET CALCULATIONS

INLET No.	Location	Design Storm Frequency (yrs.)	AREA RUNOFF Q = CIA				Carry-Over From Upstream Inlet (cfs.)	Gutter Slope (ft./ft.)	Crown Type	SELECTED INLET			Carry-Over To Downstream Inlet (cfs.)	
			Time of Conc. (min.)	Intensity "i" (in./hr.)	Runoff Coeff. "c"	Area (Ac.)				"Q" (cfs.)	Length "L" (feet)	Type		Capacity (cfs.)
A1	LAT "A-1"	100	10	9.8	0.9	1.45	12.78	0	SUMP	N/A	10	C.I.	15.60	0
B1	LAT. "B-1"	100	10	9.8	0.9	0.70	6.17	0	8%	N/A	10	C.I.	11.00	0

STORAGE DESIGNATION	FREQ. (YR.)	Q EXISTING	Q PROPOSED	Q RELEASED ALLOWABLE	Q ROUTED (ACTUAL RELEASE)	ROUTED POOLING ELEV. (FT)
100	11.5	34.91	11.5	10.87	520.87	
50	10.4	31.72	10.4	9.56	520.07	
25	9.01	27.08	9.01	8.76	519.64	
10	7.97	23.17	7.97	7.76	519.16	
5	6.85	19.96	6.85	6.50	518.65	
2	5.13	16.39	5.13	5.09	518.26	

STORAGE VOLUME PROVIDED = 35,342.92 FT³
 STORAGE VOLUME REQUIRED = 33,578.82 FT³

RECORD DRAWING
 Mike Allen P. E.
 DATE: 04-08-08
Michael Allen



App. _____
 Revisions _____
 No. _____ Date _____

Allen & Ridinger Consulting, Inc.
 109 W. Main Street
 Lewisville, Texas 75057
 Tel. No. (972) 353-8000
 Fax No. (972) 353-8011

STATE OF TEXAS
 MICHAEL S. ALLEN
 86188
 LICENSED PROFESSIONAL ENGINEER
Michael Allen
 01/14/08

VISTA LAGO
 ROCKWALL, TEXAS

DRAINAGE AREA MAP

Scale: 1"=20' HOR., 1"=5' VERT.
 Designed by: MSA
 Drawn by: MSA
 Checked by: MSA
 Date: SEPTEMBER 13, 2006
 Project No. 069-001

SHEET
C-5
 OF 10