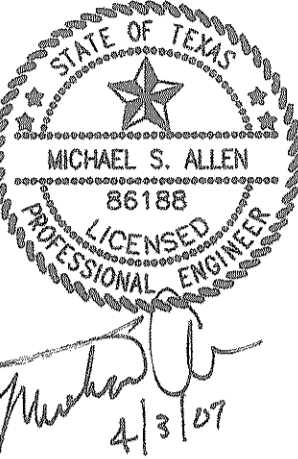


MSA	App.
2-22-07	Revisions
NO	Date

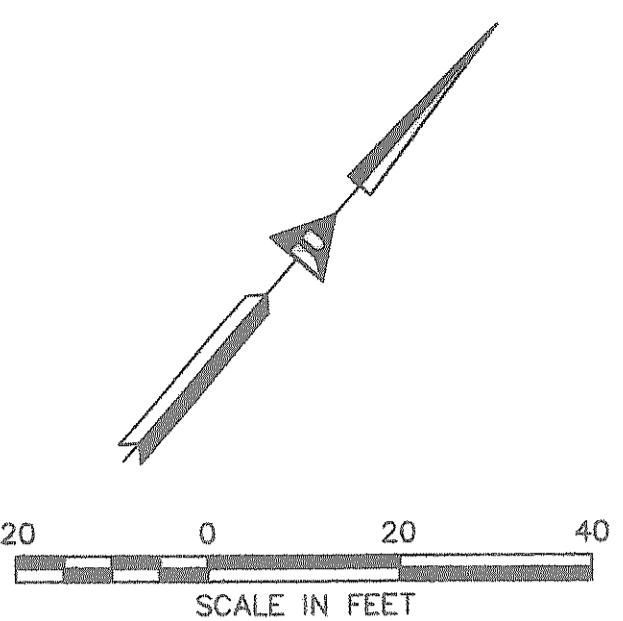
**Allen & Ridinger Consulting, Inc.**  
 285 W. Southeast Pkwy  
 Lewisville, Texas 75067  
 Tel. No. (972) 353-8000  
 Fax. No. (972) 353-0011



**VISTA LAGO**  
**ROCKWALL, TEXAS**

**DIMENSION CONTROL PLAN**

Scale: 1"=20'
Designed by: MSA
Drawn by: MSA
Checked by: MSA
Date: SEPTEMBER 13, 2006
Project No. 069-001



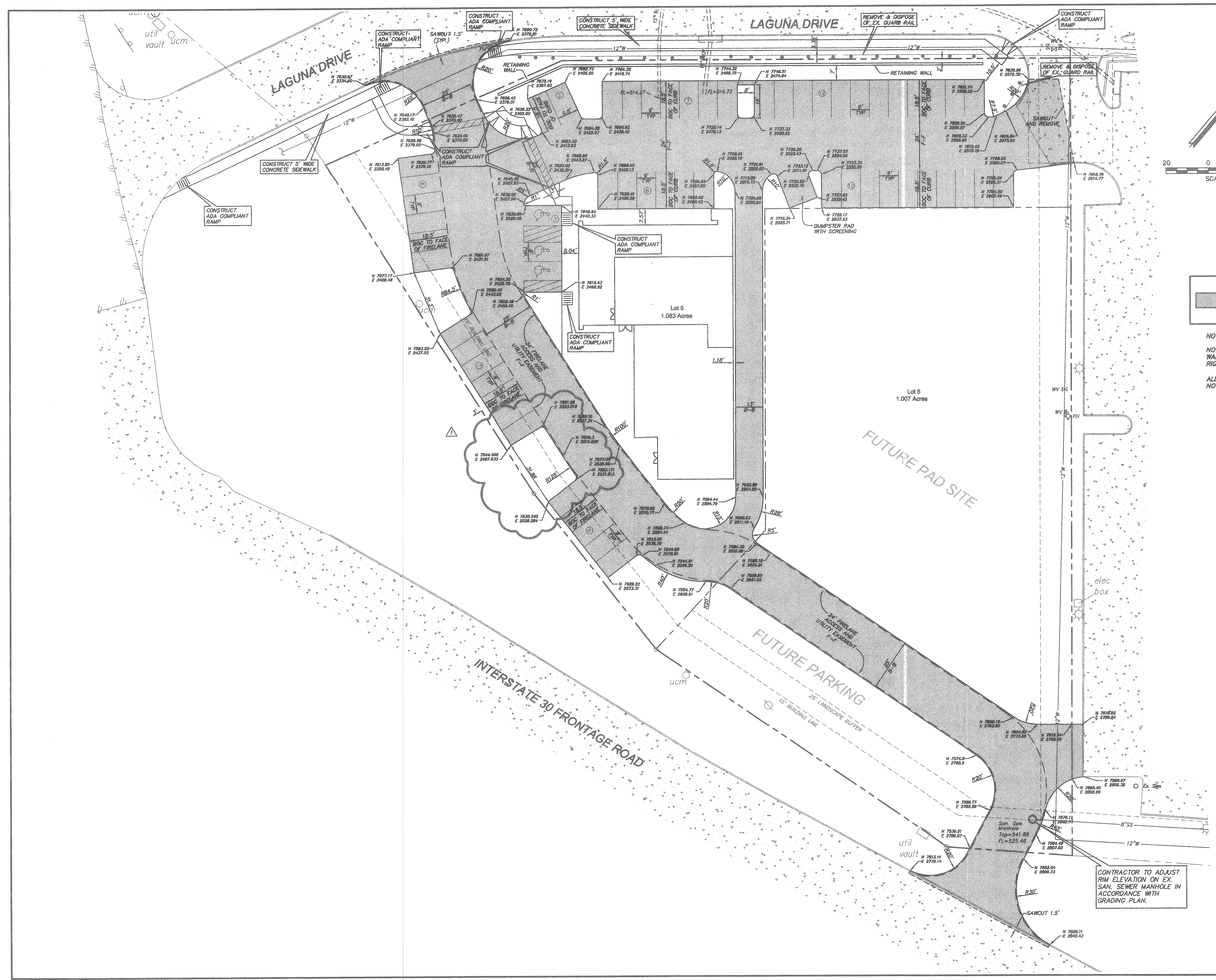
**PAVING LEGEND**

PAVING  
 6" DEPTH 3800 PSI CONCRETE PAVEMENT ON  
 6" SCARIFIED AND COMPACTED SUBGRADE OR  
 PER GEOTECHNICAL REPORT IF THE REPORT  
 REQUIRES MORE. NO SAND UNDER PAVEMENT.  
 6 SACK MIN FOR MACHINE PLACE  
 8 1/2 SACK MIN. FOR HAND PLACE.

**NOTE:**  
 NO PART OF RETAINING WALL INCLUDING FOOTING,  
 WALL OR TIEBACKS SHALL BE IN AN EASEMENT OR  
 RIGHT-OF-WAY.  
 ALL CURB RADII ARE 2.0' UNLESS OTHERWISE  
 NOTED.

**RECORD DRAWING**  
 Mike Allen P. E.  
 DATE: 04-08-08

CONTRACTOR TO ADJUST  
 RIM ELEVATION ON EX.  
 SAN. SEWER MANHOLE IN  
 ACCORDANCE WITH  
 GRADING PLAN.



\\csm\p04\p04\069-001\069-001.dwg: 10/13/06 10:15:53 AM: C:\Program Files\Autodesk\AutoCAD 2006\acad.ctb