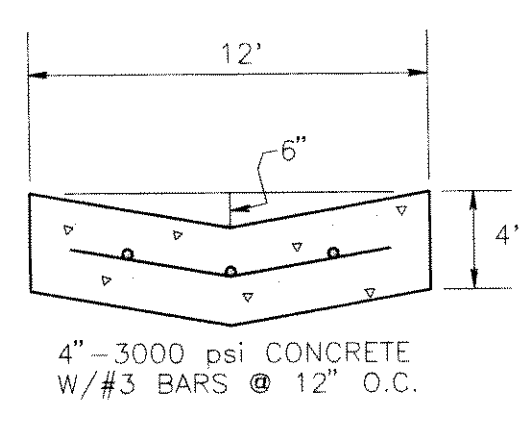
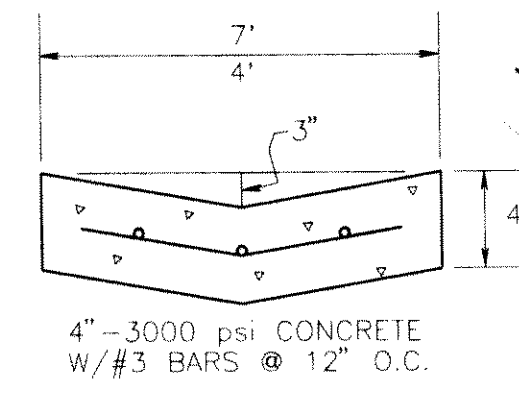


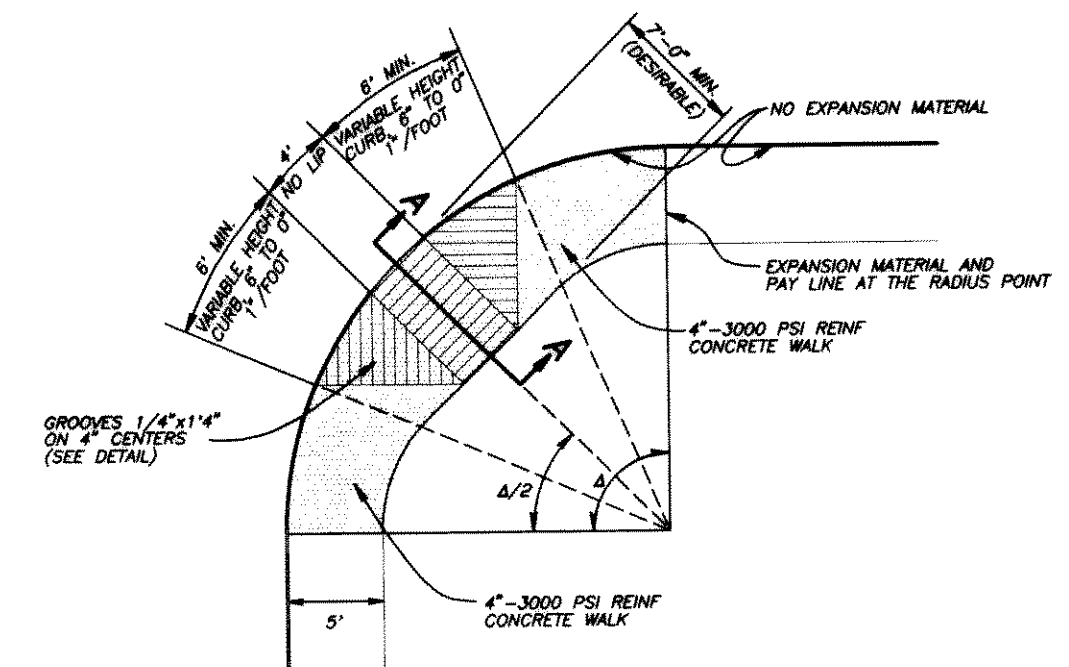
P B S & J, INC. \* DALLAS, TEXAS



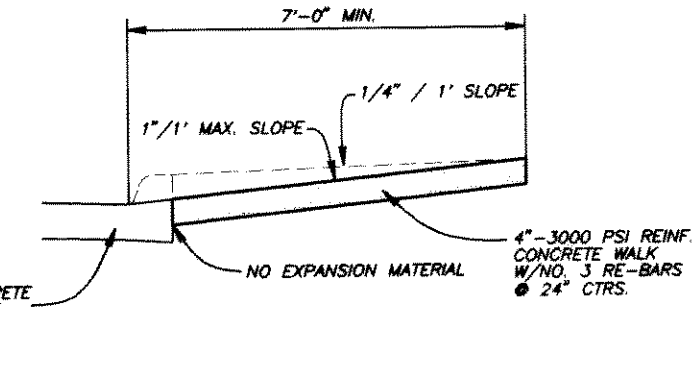
**SECTION A-A  
CONCRETE FLUME**  
N.T.S.



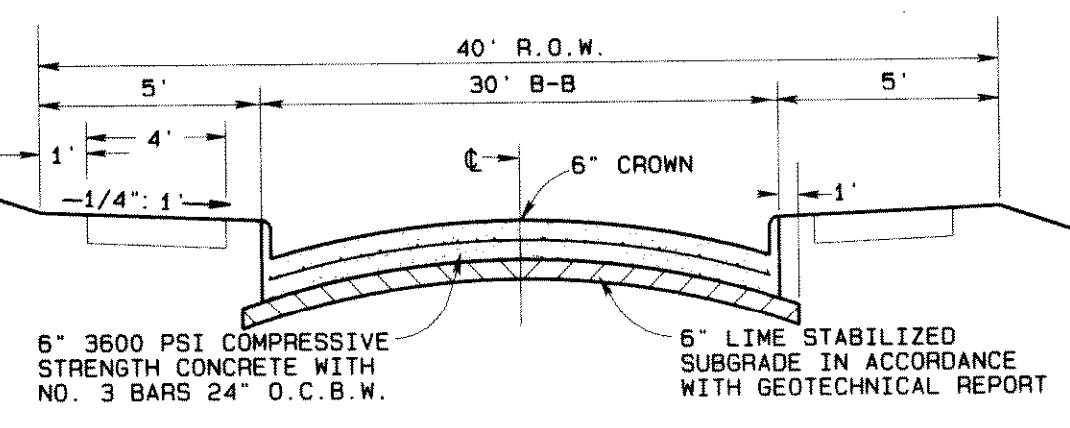
**SECTION B-B  
CONCRETE FLUME**  
N.T.S.



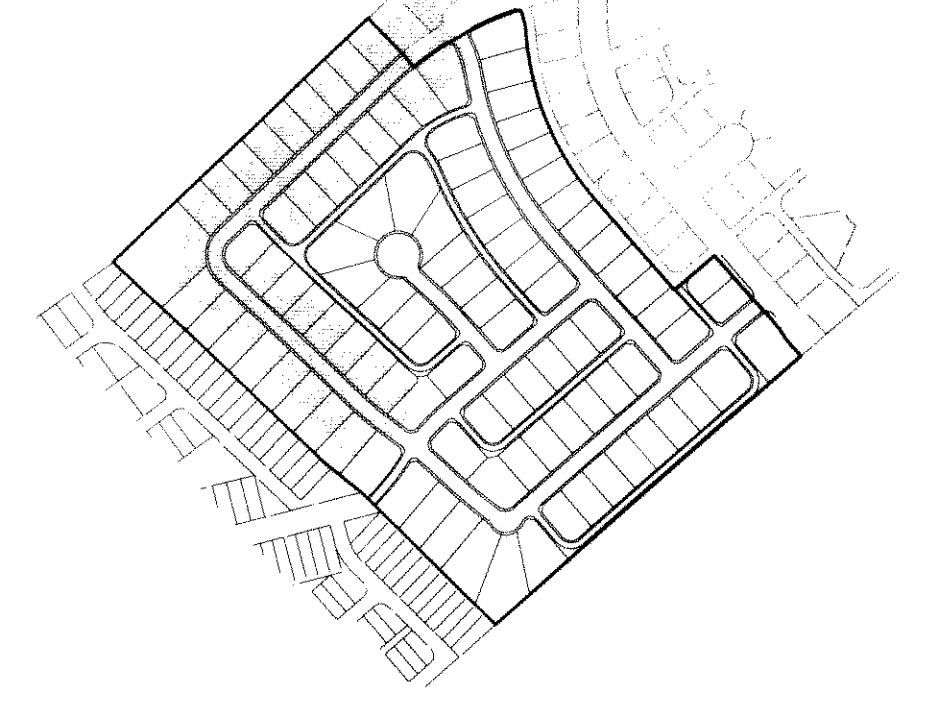
**BARRIER FREE RAMP DETAIL**  
N.T.S.



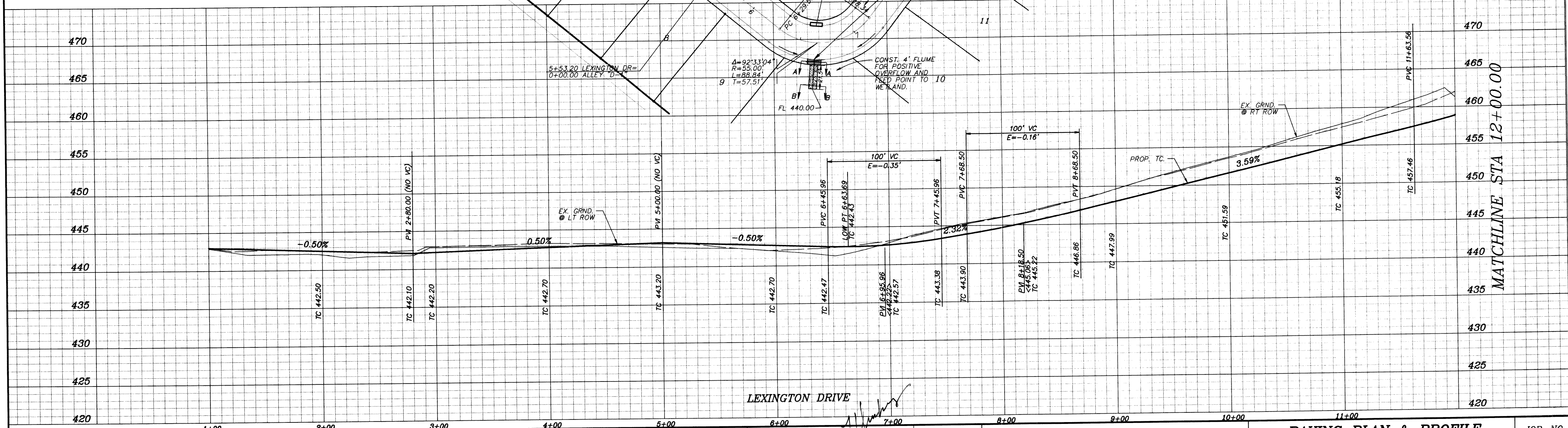
**SECTION A-A  
GROOVES SECTION**  
N.T.S.



**TYPICAL STREET SECTION**  
N.T.S.



**STREET LOCATION MAP**  
N.T.S.



**RECORD DRAWING**  
DATE: 7-28-00  
THIS RECORD DRAWING HEREIN REFLECTS TO THE BEST OF THE DESIGN ENGINEER'S KNOWLEDGE THE APPROXIMATE LOCATION OF THE CONSTRUCTED WORK USING INFORMATION AS PROVIDED BY THE CONTRACTOR(S).

- BENCHMARKS:**
- SQUARE CUT ON NORTHEAST CURB ± 150' NORTHWEST OF RAILROAD ON TURTLE COVE BOULEVARD ELEV. 469.36
  - SQUARE CUT ON CENTERLINE OF INLET 7 WESTERLY FROM CLUBHOUSE ENTRANCE ELEV. 447.21

NO.	REVISION	BY	DATE

THE SEAL APPEARING ON THIS DOCUMENT WAS AUTHORIZED BY BRIAN L. UMBERGER, P.E. #08474

SCALE: AS SHOWN  
DESIGNED: PBS&J  
DRAWN: PBS&J  
DATE: \_\_\_\_\_  
DWG FILE: \_\_\_\_\_

**PBS&J**  
5999 SUMMERSIDE DRIVE ~ SUITE 202  
DALLAS, TEXAS 75252  
PH. (972) 380-2605 FAX (972) 380-2609

**PAVING PLAN & PROFILE**  
TURTLE COVE ADDITION, PHASE 3  
ROCKWALL  
ROCKWALL COUNTY, TEXAS

JOB NO. 95115.02  
SHEET 5 of 28

TURTLE COVE ADDITION, PHASE 3. PAVING PLAN & PROFILE