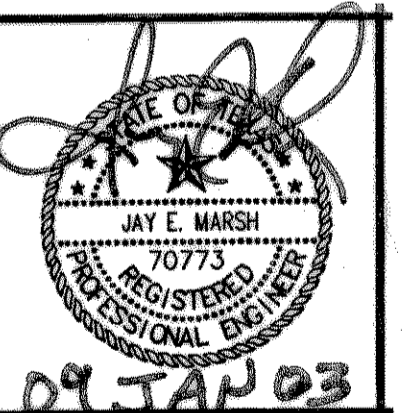


**PATE ENGINEERS**  
 8150 ROCKWALL DRIVE  
 SUITE 100  
 DALLAS, TEXAS 75247  
 TEL (214) 357-2981  
 FAX (214) 357-2985

**TRAVEL CENTERS OF AMERICA - Protolite**  
 Interstate 30 at State Highway 205  
 Rockwall, Texas 75087

PROJECT NO: TAR2TX



REVISIONS: CONSTRUCTION SET DOCUMENTS: CONSTRUCTION BULLETIN # 10/18/02  
 REVISIONS PER OWNER'S COMMENTS  
 REVISIONS PER CITY COMMENTS  
 CONSTRUCTION BULLETIN #3 11/20/02  
 CHANGED FL & SLOPE REVISION 01/09/03  
 REVISED STM PIPES ALIGNMENT AS BUILT REVISIONS 08/18/03  
 REVISED: WL ALIGN. ALONG 205 & MOVED G.V. LOC. @ NW CORNER  
 REVISED: HDWL TYPE @ DET. POND & WL WATER SEP. CONN. TO M.H.

CHECKED BY: JEM

Sheet: UTILITY PLAN

C-4

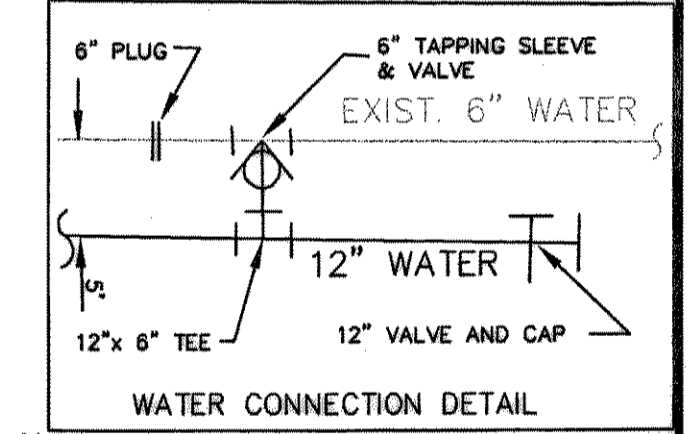
Date: SEPTEMBER 25, 2002

INSTALL 1-12"x6" TEE  
 1- FIRE HYDRANT ASSEMBLY  
 1- 6" VALVE

INSTALL 1-12"x6" TEE  
 1- FIRE HYDRANT ASSEMBLY  
 1- 6" VALVE

INSTALL 1-12"x6" TEE  
 1- FIRE HYDRANT ASSEMBLY  
 1- 6" VALVE

INSTALL 1-12" VALVE  
 1-12"x 6" TEE  
 1-12" CAP W/BLOCKING  
 1-6" TAPPING SLEEVE AND VALVE  
 CONNECT TO EXISTING 6"WL  
 SEE DETAIL THIS SHEET

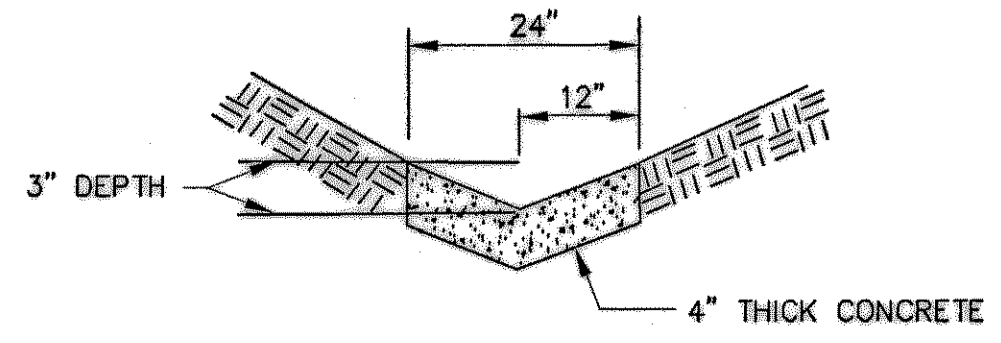


NOTE: ALL EXISTING SURVEY DATA AS PROVIDED BY OWNER

FOR GENERAL NOTES SEE SHEET C-1B

FIRE LANE  
 CONCRETE PAVEMENT

MODIFIED GAS LINE ALIGNMENT, ADDED NOTES, SHOWED LIGHT POLES, ADDED FLUME DETAIL, ADDED AIR PIPE



RECORD DRAWING  
 REVISIONS TO REFLECT INVOICES CHANGES MADE DURING CONSTRUCTION.  
 DATE 2/10/03

NOTE: CONTRACTOR, USE EXIST. 2" WATER METER IF FEASIBLE.

projects\09-27\rockwall\map.dwg, 8/29/02 09:34:02 AM, Michael