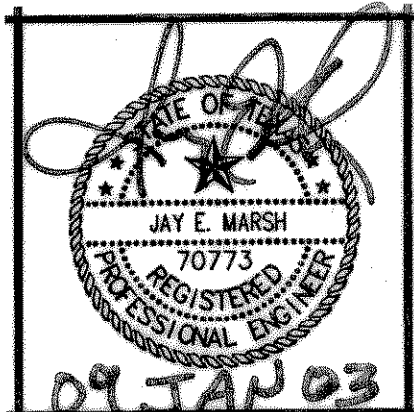


**PATE ENGINEERS**  
6150 BROOKSHIRE DRIVE  
SUITE 5-700  
DALLAS, TEXAS 75247  
TEL: (214) 357-2881  
FAX: (214) 357-2885

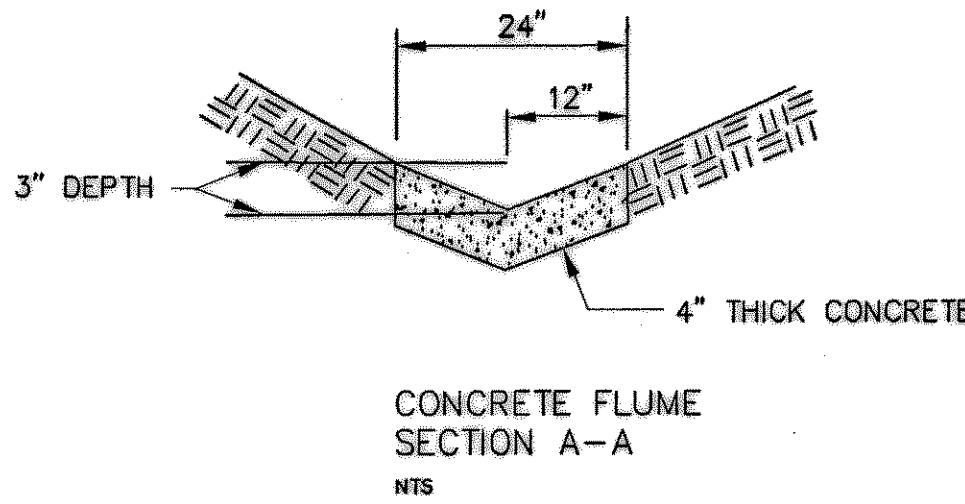
**TA**  
TravelCenters of America  
TRAVEL CENTERS OF AMERICA – Protolite  
Interstate 30 at State Highway 205  
Rockwall, Texas 75087

PROJECT NO: TAR2TX



REVISIONS: CONSTRUCTION SET DOCUMENTS: CONSTRUCTION BULLETIN #1 10/18/02  
REVISIONS PER OWNER'S COMMENTS  
REVISIONS PER CITY COMMENTS  
CONSTRUCTION BULLETIN #3 11/20/02  
CHANGED FL & SLOPE REVISION 01/09/03  
REVISED STM. PIPES ALIGNMENT AS BUILT REVISIONS 08/18/03  
REVIS: W/ ALIGN. ALONG 205 & MOVED G.V. LOC. @ HW CORNER  
REVISED: HOSE TYPE @ BEST POND & W/ WATER SUPPLY CONN. TO MH.

CHECKED BY: JEM  
Sheet: UTILITY PLAN  
C-4  
Of: Date: SEPTEMBER 25, 2002



RECORD DRAWING  
REVISED TO REFLECT REVISIONS MADE DURING CONSTRUCTION.  
DATE 29A0603

△ FIRE LANE  
■ CONCRETE PAVEMENT

NOTE: CONTRACTOR, USE EXIST. 2" WATER METER IF FEASIBLE.

NOTE: ALL EXISTING SURVEY DATA AS PROVIDED BY OWNER

FOR GENERAL NOTES SEE SHEET C-1B

INSTALL  
1-12"x6" TEE  
1- FIRE HYDRANT ASSEMBLY  
1-12" VALVE  
1-6" VALVE  
TEE TO BE MEGALUGED TO LINE. CONNECT TO EXIST. 12"W (APPROX. 60')

INSTALL  
2-6" PLUGS REMOVE EXISTING 6" WL

INSTALL  
1-12"x6" TEE  
1- FIRE HYDRANT ASSEMBLY  
1- 6" VALVE

INSTALL  
1-12"x6" TEE  
1- FIRE HYDRANT ASSEMBLY  
1- 6" VALVE  
1- 12" VALVE

INSTALL  
1-12"x2" TEE  
1-2" IRR. METER  
1-2" BACKFLOW PREVENTOR

INSTALL  
1-12" VALVE  
1-12" x 8" TEE  
1-12" x 6" TEE  
1- FIRE HYDRANT ASSEMBLY  
1- 6" VALVE  
1- 6" 45' BEND  
1- 8" VALVE

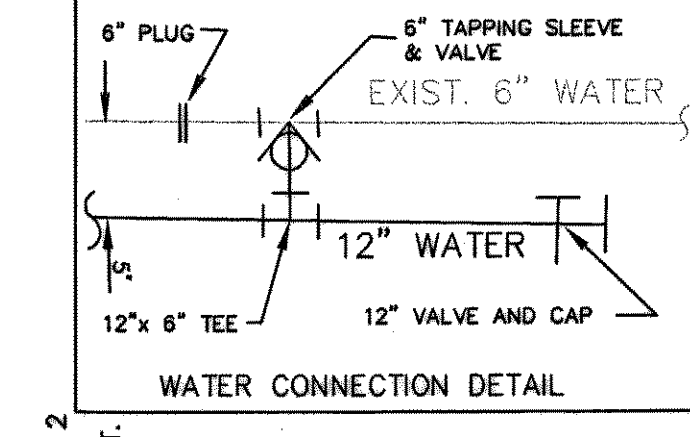
ROCKWALL BUSINESS PARK EAST PHASE I  
LOT 1, BLOCK A  
CAB. B, SLIDE 37  
M.R.R.C.T.

CONST. 5" DIA. SD MANHOLE  
RIM=548.3  
FL 30" IN 543.50  
FL 24" IN 543.50  
FL 42" OUT 543.50

LOT 1, BLOCK A  
10.7138 ACRES  
466695.21 SQ. FT.  
NATIONAL AUTO/TRUCKSTOPS INC.  
VOL. 779, PD. 184  
D.R.R.C.T.  
ZONED "C"

LOT 2, BLOCK A  
2.4536 ACRES  
106876.74 SQ. FT.

INSTALL  
1-12" VALVE  
1-12" x 6" TEE  
1-12" CAP W/BLOCKING VALVE  
CONNECT TO EXISTING 6" WL  
SEE DETAIL THIS SHEET



INSTALL  
1-12"x6" TEE  
1- FIRE HYDRANT ASSEMBLY  
1- 6" VALVE

CUT AND PLUG EX. 6" WL

CONST. 2 X 27" SLOPED END HDWL PER TXDOT STANDARDS MATCH EXISTING SIDE SLOPE OF DITCH FL=542.00

2 X 27" RCP SD 44 L.F. @ 0.7% SD-D

CONST. 2 X 27" TYPE B HDWL FL 24" FLUME = 542.25 FL 27" (OUT) = 542.25

OIL/WATER DIVERSION STRUCTURE SEE DETAIL SH. C-11  
RIM=549.00  
FL IN=543.20  
FL OUT=543.10

FL (30")=547.02  
FL (21")=547.40  
FL (24")=547.52

CONNECT TO EXIST. SS MH AND MATCH FL

REMOVE 76 L.F. EX. 18" CMP & CONST. 130 L.F. 18" RCP

INSTALL  
1-12"x6" TEE  
1- FIRE HYDRANT ASSEMBLY  
1- 6" VALVE

CONSTRUCT 4" DIA MH  
FL 4" (IN)=551.98  
FL 6" (IN)=551.98  
FL 8" (IN)=551.98  
FL 8" (OUT)=551.88

INSTALL:  
2-2" SERVICE CONNECTIONS (DOM.)  
2-2" METERS (DOM.)  
1-12" x 8" TEE  
1- 8" VALVE

INSTALL  
1-12"x 6" TEE  
1- FIRE HYDRANT ASSEMBLY  
1- 12" VALVE

CONNECT EX. 8" WATER TO PROPOSED 12" WATER  
INSTALL:  
1-12" x 8" TEE

CONSTRUCT RV DUMP FL 4" (OUT)=556.80

INSTALL  
1" DOM. WATER TO RV DUMP FACILITIES

SEE RV DUMP DETAIL

401 L.F.-4" PVC @ 1.20% PRIVATE SAN.

10' WATER

1" DOM. PRIVATE

FOR FL INFO & DETAIL SEE BLDG. PLANS

FOR CONTINUATION SEE BLDG. PLANS

SEE LANDSCAPE PLAN FOR CONTINUATION

INSTALL 8" FIRE LINE

INSTALL 6" FIRE LINE

BLDG. WATER & AIR STATION

BLDG. WATER & AIR STATION

CONTRACTOR TO COORDINATE W/ GAS CO. FOR TIE IN & PIPE SIZE

EX. GAS METER

LIGHT POLE (TYP.)

LIGHT POLE (TYP.)

LIGHT POLE (TYP.)

LIGHT POLE (TYP.)

LIGHT POLE (TYP.)