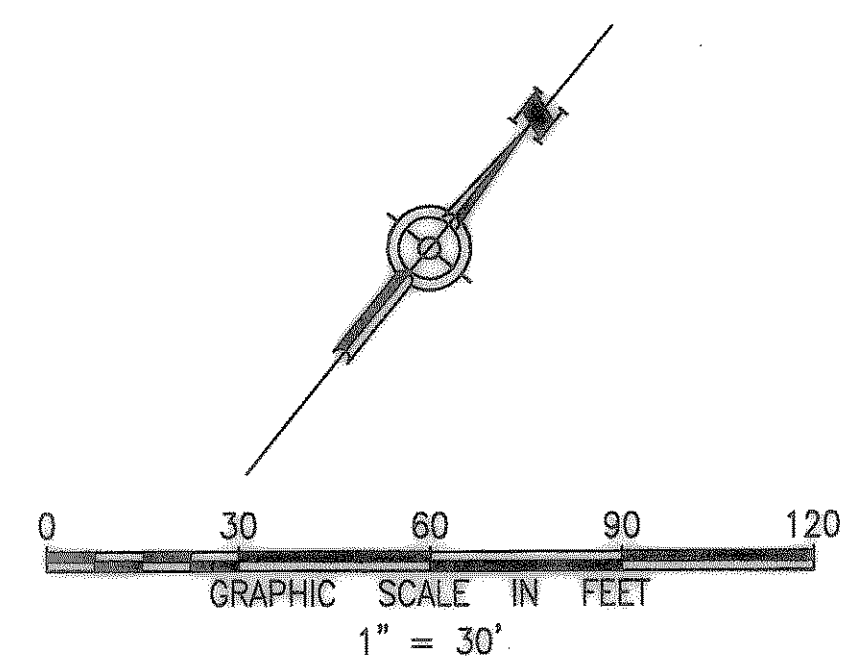
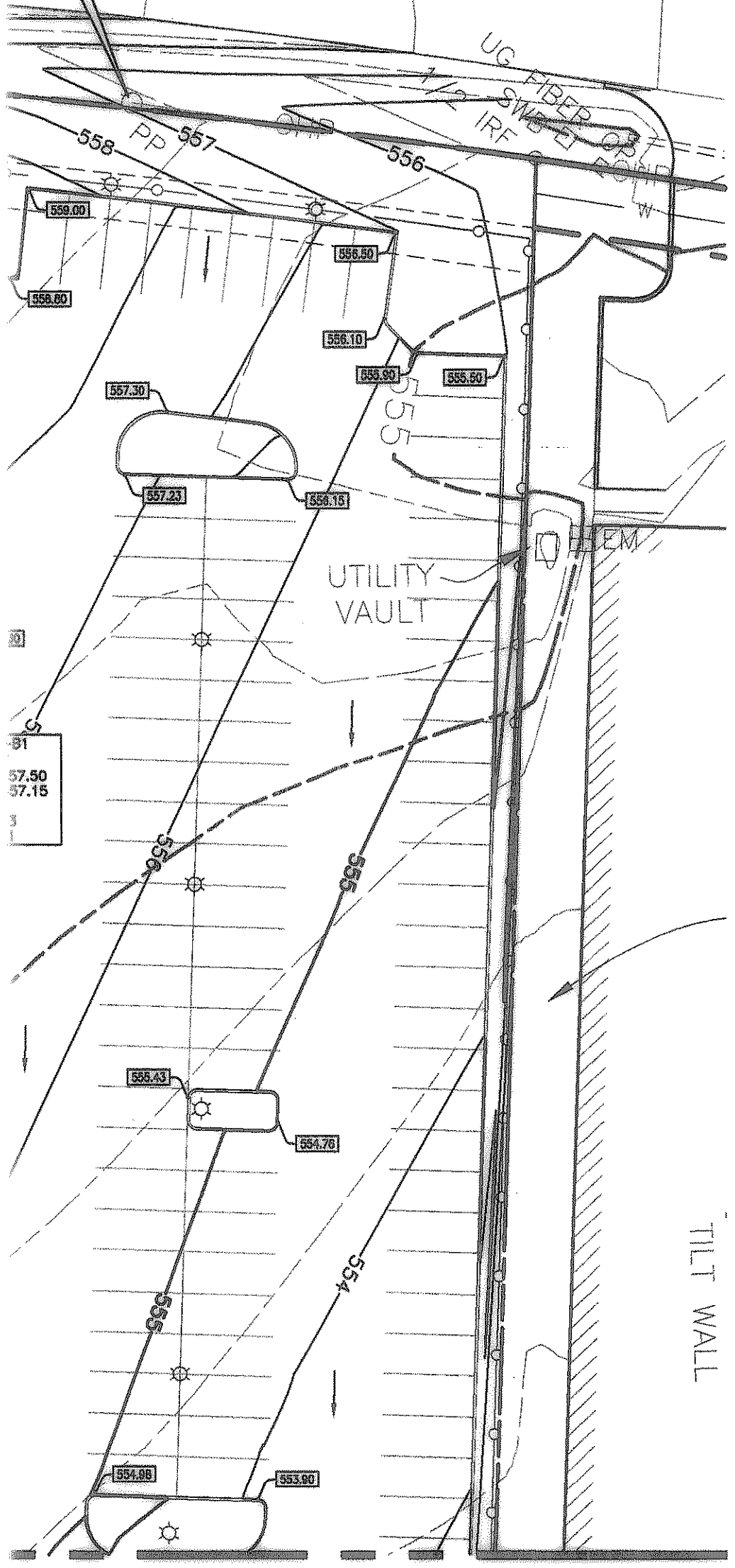


**WARNING!**  
UNDERGROUND UTILITIES LINE IN THIS LOCATION.  
CONTRACTOR TO LOCATE, VERIFY AND PROTECT  
PRIOR TO COMMENCING CONSTRUCTION.



**LEGEND**

---	PROPERTY LINE
---	ADJOINED PROPERTY
---	EXISTING 1' CONTOUR
---	PROPOSED 1' CONTOUR
---	EXISTING OVER HEAD ELECTRIC
---	EXISTING WATER LINE
---	PROP. SPOT ELEV
→	FLOW ARROW
T/G	TOP OF GRATE
T/C	TOP OF CURB
T/R	TOP OF RIM
F/G	TOP OF FINISH GRADE
T/W	TOP OF RETAINING WALL
B/W	BASE OF RETAINING WALL
S/W	SIDEWALK OR NON-DRIVING SURFACE
FL	FLOWLINE
HP	HIGH POINT

**GENERAL NOTES:**

1. ALL UNDERGROUND UTILITIES SHOWN ARE BASED ON THE BEST AVAILABLE INFORMATION. THE CONTRACTOR SHALL VERIFY EXACT UTILITY LOCATIONS PRIOR TO ANY CONSTRUCTION. THE CONTRACTOR SHALL CALL DIG-TESS AT 1.800.344.8377 PRIOR TO ANY EXCAVATION.
2. IF ANY CONFLICT OR DISCREPANCY FROM THE PLANS IS FOUND, NOTIFY THE ENGINEER BEFORE CONTINUING WITH ANY FURTHER CONSTRUCTION.
3. ALL PIPE SHALL BE LAID STARTING AT THE OUTFALL AND LAID UPSTREAM FROM THAT POINT.
4. STORM SEWER PIPE SHALL BE RCP UNLESS NOTED OTHERWISE.
5. SPOT ELEVATIONS SHOWN ARE TO THE TOP OF PROPOSED PAVEMENT AND/OR TOP OF FINISHED GRADE, UNLESS OTHERWISE NOTED. ADD 0.5 FEET FOR TOP OF CURB ELEVATIONS.
6. CONTRACTOR TO OBTAIN ALL PERMITS REQUIRED BY CITY OF ROCKWALL, TEXAS PRIOR TO STARTING CONSTRUCTION.
7. REFER TO EROSION CONTROL PLAN, SHEET C-5.0, FOR SEQUENCE OF CONSTRUCTION.
8. DIG-TESS TEXAS ONE CALL PARTICIPANTS REQUEST 48 HOURS NOTICE BEFORE YOU DIG, DRILL OR BLAST. STOP, CALL TEXAS DIG-TESS SYSTEM AT 1.800.344.8377.

**RECORD DRAWING**  
02/15/08

THE DRAWINGS CONTAINED IN THIS SET ARE "RECORD DRAWINGS". TO THE BEST OF OUR KNOWLEDGE, CARTER BURGESS, INC. HEREBY CERTIFY THAT THIS PLAN IS AS-BUILT. THE INFORMATION PROVIDED IS BASED ON SITE OBSERVATION, SURVEY CONDUCTED AT THE SITE BY THE SURVEYOR, AND INFORMATION PROVIDED BY THE CONTRACTOR.

**NOTES BY SYMBOL:**

- ① CONNECT 10" PE STORM DRAINS TO 10" ROOF DRAIN DRAIN FL = 555.00
- ② INSTALL 65 LF OF 10" PE STORM DRAIN AT 1.00% SLOPE
- ② INSTALL 6" CLEANOUT

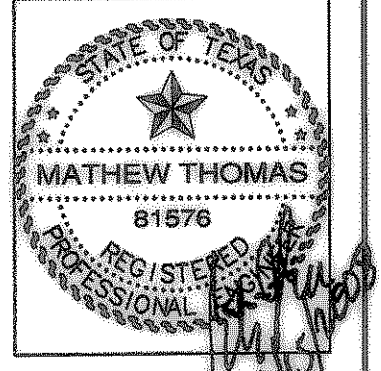
**TRENCH SAFETY**

STATE OF TEXAS LAW REQUIRES THAT THE CONTRACTOR WILL PROVIDE A TRENCH SAFETY PLAN (TSP) FOR TRENCHES DEEPER THAN FIVE (5) FEET IN DEPTH. THIS PLAN SHALL BE PREPARED BY A PROFESSIONAL ENGINEER.

**BENCHMARK**

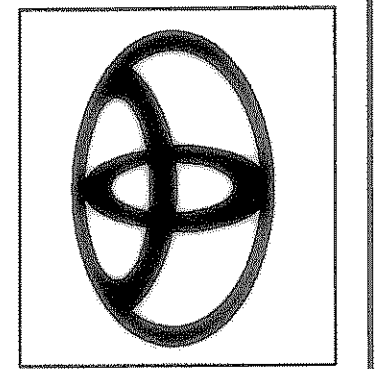
SITE BM: "X" ON TOP OF APPROXIMATELY 275' SOLE ELEVATION = 559.62  
LET, WEST SIDE OF TOWNSEND DRIVE, OF INTERSTATE HIGHWAY NO. 30.

THE LOCATION OF EXISTING UNDERGROUND UTILITIES ARE SHOWN IN AN APPROXIMATE WAY ONLY. THE CONTRACTOR TO DETERMINE THE EXACT LOCATION OF ALL EXISTING UTILITIES BEFORE COMMENCING WORK. CONTRACTOR WILL BE FULLY RESPONSIBLE FOR ANY AND ALL DAMAGES WHICH MIGHT OCCUR BY FAILURE TO EXACTLY LOCATE AND PRESERVE ANY AND ALL UNDERGROUND UTILITIES.



ISSUE:	ISSUE:	ISSUE:	ISSUE:
DATE:	DATE:	DATE:	DATE:
NO:	NO:	NO:	NO:

**GRADING PLAN**  
INTERSTATE HIGHWAY NO. 30  
ROCKWALL, TEXAS



**Carter & Burgess**  
Consultants in Engineering, Architecture, Planning, Construction Management, and Related Services  
Carter & Burgess, Inc., 30  
Building Programs Division, Texas 76102  
(817) 222-8500

PROJECT NO.	293533.020
DRAWN BY:	RAL
CHECKED BY:	MT

SHEET:  
**C-3.2**