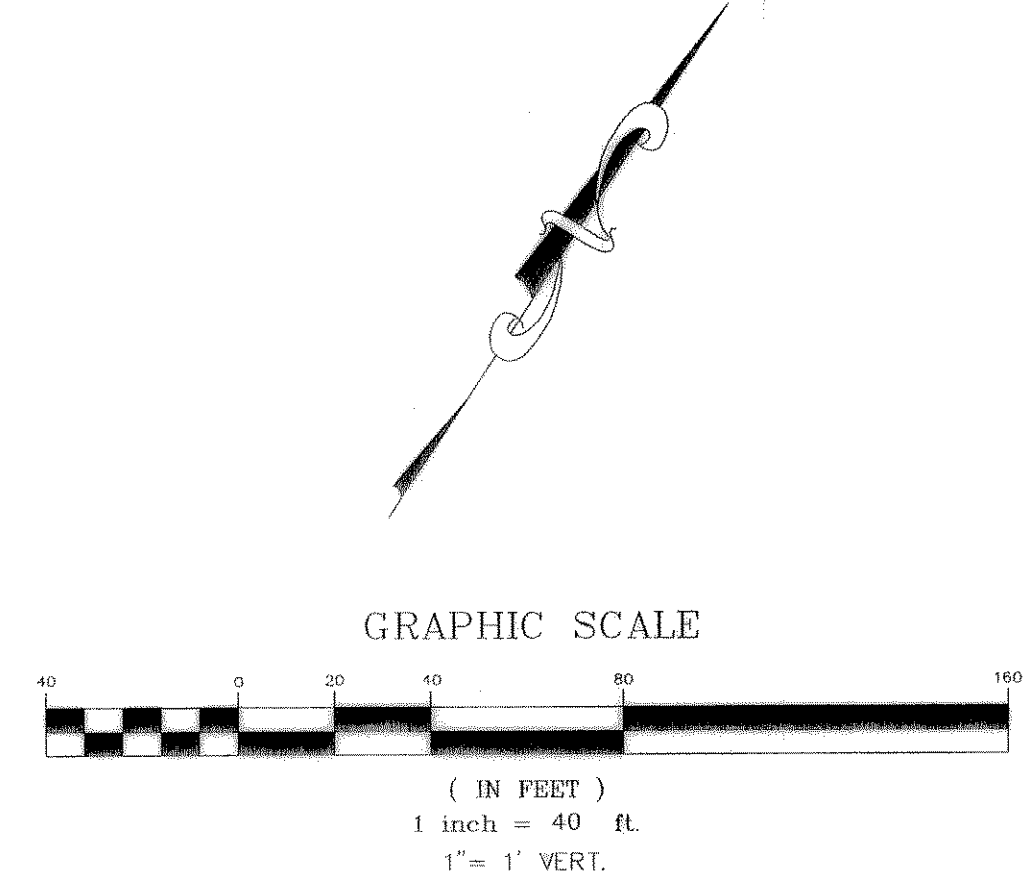


THE SEAL APPEARING ON THIS DOCUMENT WAS AUTHORIZED BY W.L. DOUPHRADE II TEXAS P.E. NO. 80102 ON

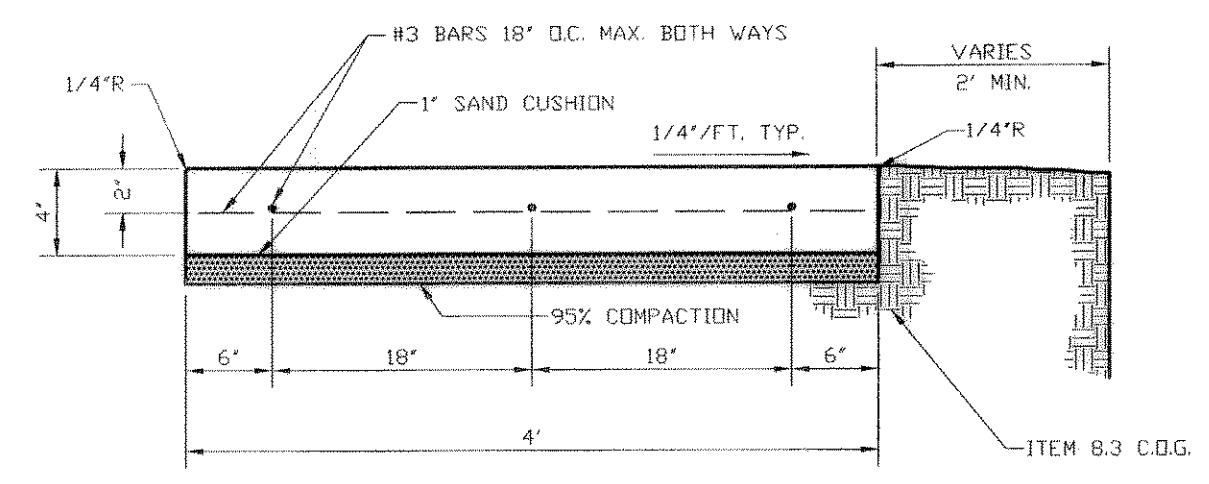
DOUPHRADE & ASSOCIATES, INC.

ENGINEERING - PROJECT MANAGEMENT - SURVEYING
2235 RIDGE RD. # 200 ROCKWALL, TEXAS 75087
PHONE: (972)771-9004 FAX: (972)771-9005

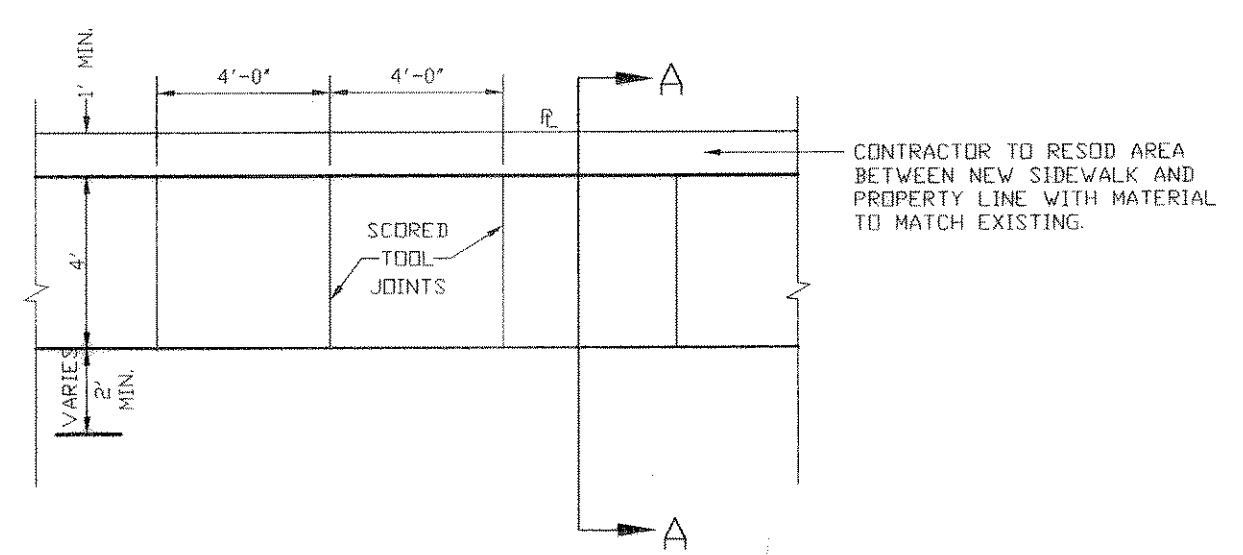
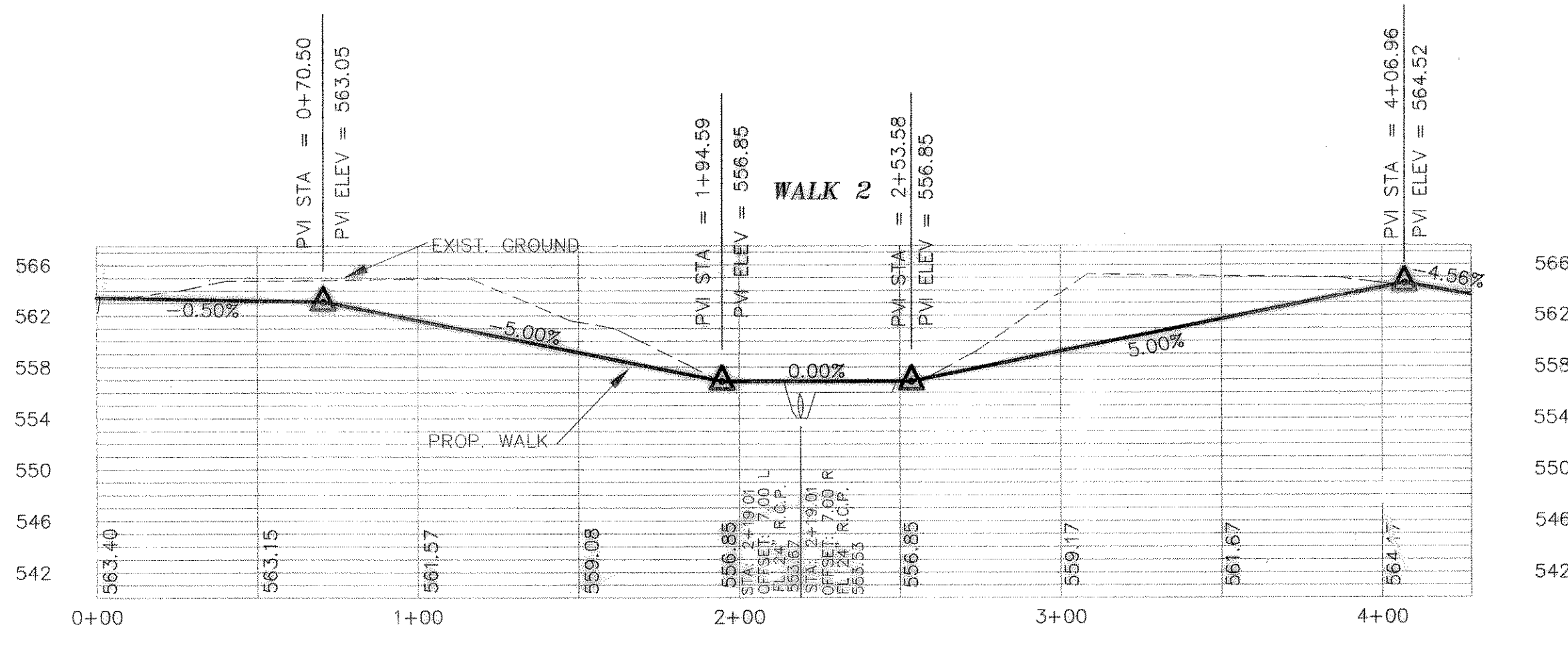


REVISED TO CONFORM TO CONSTRUCTION RECORDS.
[Signature] DATE: 5/23/02

NOTE:
INSTALL HAND RAILS ON THE PORTION OF WALKWAY THAT IS BETWEEN STA. 1+94.59 TO STA. 2+53.58



TYPICAL SECTION A-A
4' REINFORCED CONCRETE SIDEWALK



4' REINFORCED CONCRETE SIDEWALK
PLAN VIEW

PEDESTRIAN WALKWAY PLAN & PROFILE
WALK 2
TIMBER CREEK ESTATES
CITY OF ROCKWALL, COUNTY OF ROCKWALL

REVISION

W.L.D.
CHECKED
KEB.
DRAWN
1/18/01
DATE
9913 WALK2
PROJECT