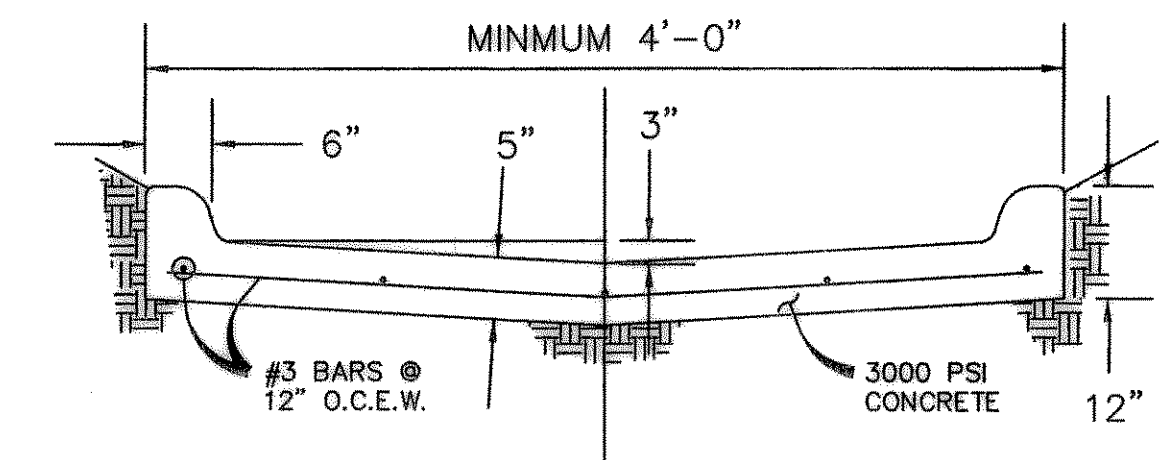
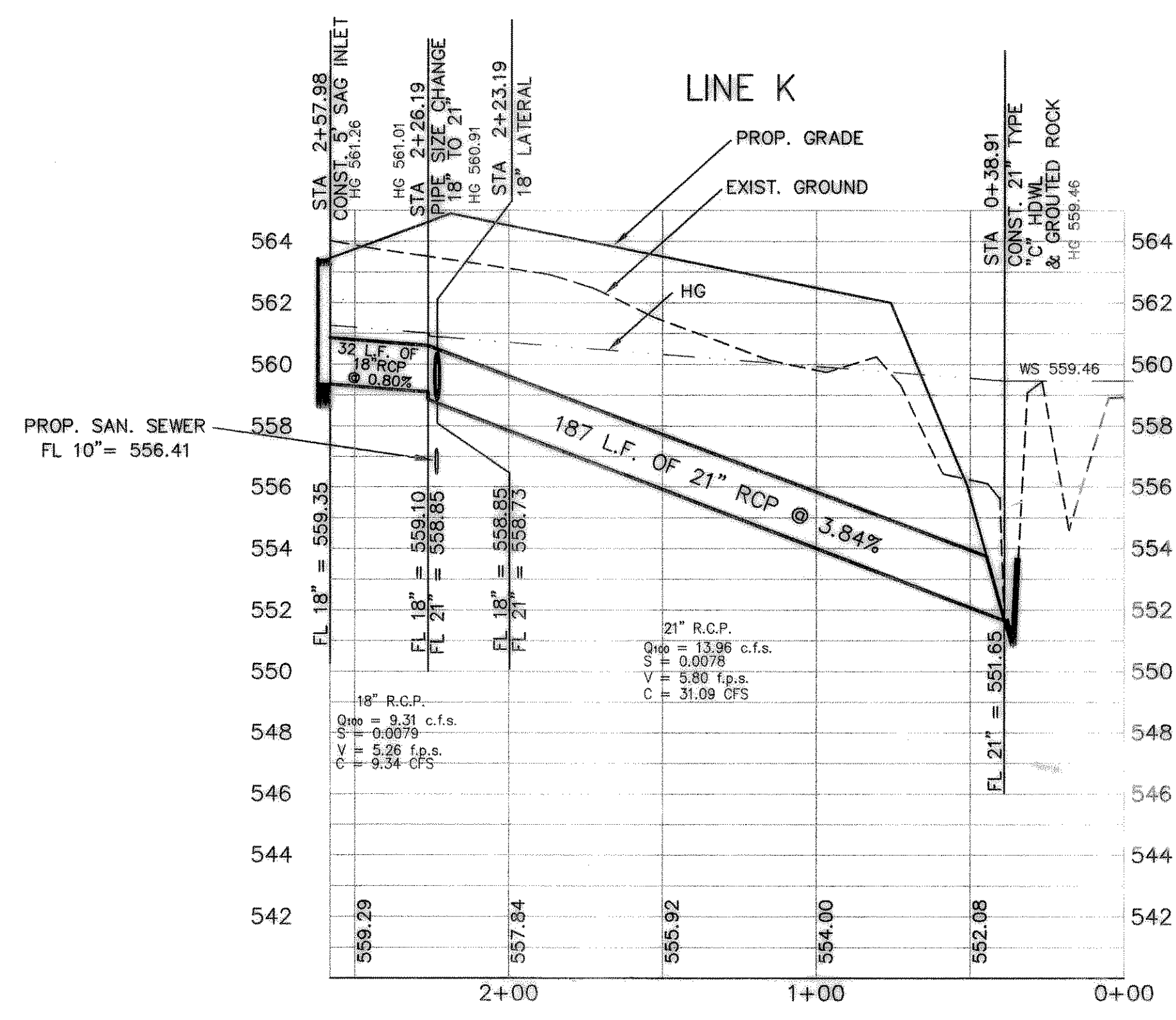


NOTE:  
THE HEADWALLS WILL BE STAKED IN THE FIELD BY DEVELOPER'S ENGINEER PRIOR TO CONSTRUCTION. THE CITY ENGINEER WILL APPROVE HEADWALL LOCATION IN THE FIELD PRIOR TO CONSTRUCTION.

BENCHMARK:  
T.C. CENTERLINE OF INLET ON WEST SIDE OF SILVER VIEW LANE BETWEEN LOTS 4 & 5, BLOCK B, OF STERLING FARMS ADDITION  
ELEV: 599.65

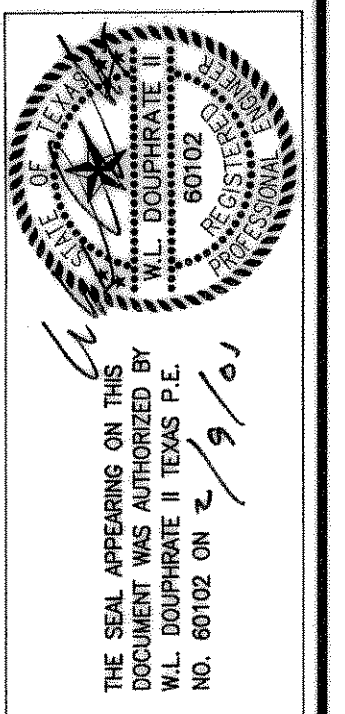
HYDRAULIC DATA

PROJECT	9913	Box Length	Box Height	Box Width	DESIGN Q100	Pipe Size (in)	CAP Q100	FULL V	PARTIAL V	PARTIAL FLOW %	FLOW CHT. No.	Ki	Flow R(ft)	Flow R <sup>2</sup> /3	Flow Area	FULL S	DESIGN S	HGL Rise	HGL Number
From	To																		
STM 1C																			
	226.19	38.91	187.28		13.96	21	31.09	5.80	5.63	0.45	0.97		0.4375	0.5763	2.4053	0.0078	0.0385	1.4537	560.91
Junction Loss												1.0000						0.0921	561.01
	257.98	226.19	31.79		9.31	18	9.34	5.27	5.11	1.00	0.97		0.3750	0.5200	1.7671	0.0079	0.0079	0.2497	561.26



CURBED OVER FLOW FLUME

REVISED TO CONFORM TO CONSTRUCTION RECORDS.  
DATE: 5/22/01



DOUPHRATE & ASSOCIATES, INC.  
ENGINEERING • PROJECT MANAGEMENT • SURVEYING  
2235 RIDGE RD., # 200 ROCKWALL, TEXAS 75087  
PHONE: (972)771-9004 FAX: (972)771-9005

STORM SEWER PLAN & PROFILE  
LINE "K"  
TIMBER CREEK ESTATES  
CITY OF ROCKWALL, ROCKWALL COUNTY, TEXAS

REVISION
W.L.D. CHECKED
A.J.W. DRAWN
1/22/01 DATE
9913 STMB PROJECT