

NOTE: SEE CROSS SECTIONS FOR REALIGNMENT OF CREEK INTO PROP. BOXES

STA: 1+83.00 BEGIN GRADE TO DRAIN

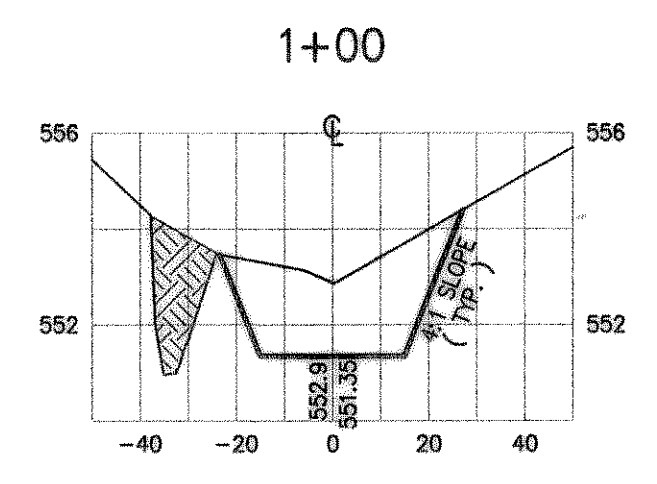
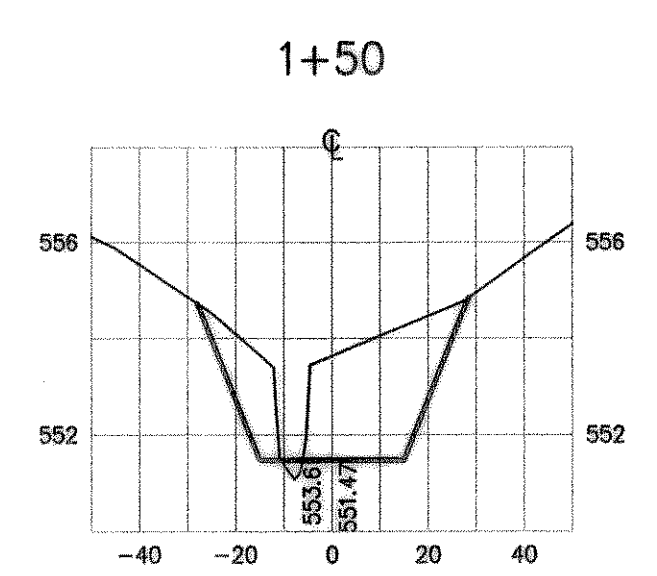
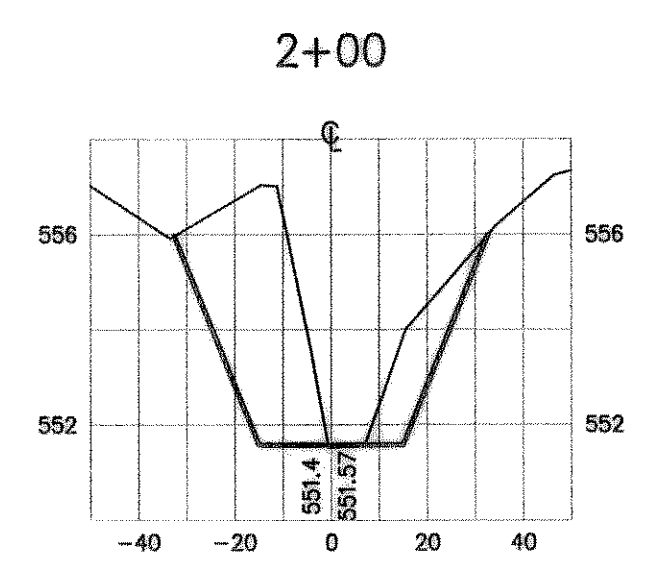
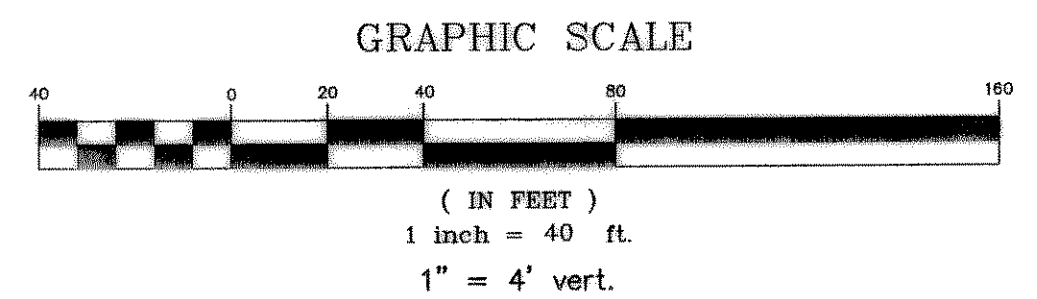
STA: 1+07.83 LN. "H" (OFFSET: 63.18' LT.) END 3-10' X 5' BOX CULVERTS. CONST. MODIFIED PARALLEL WINGWALL, & PARAPET WALL W/ GUARD RAIL.

STA: 0+57.18 LN. "H" = 0+00 LN. "I" ~ 54' RCP IN 0+00 LN. "I" ~ 54' RCP IN PARALLEL WINGWALL & BEGIN 3-5' X 10' CULVERTS. GROUDED ROCK RIP-RAP, & METAL GUARD RAIL.

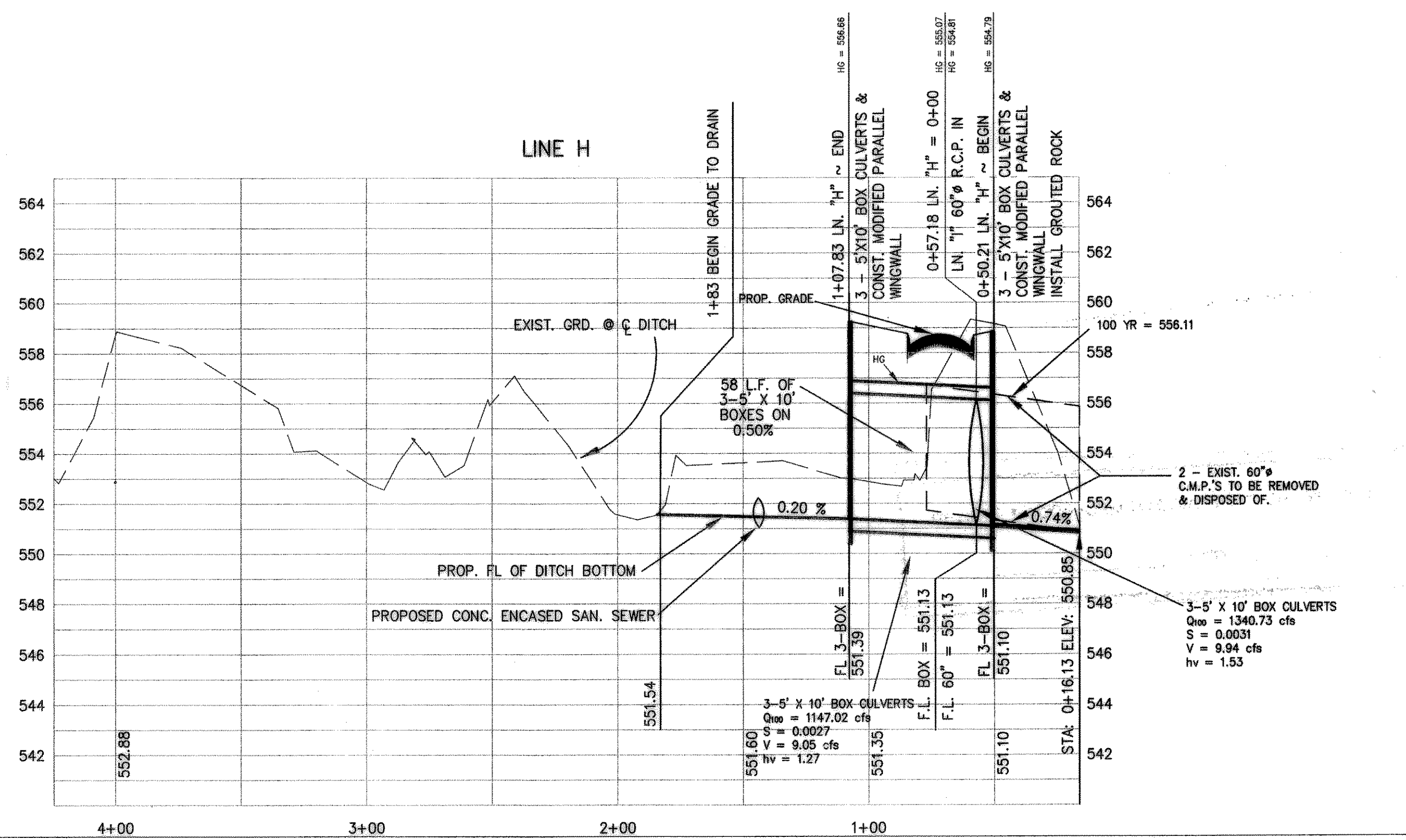
2-EX. 60" C.M.P.'S TO BE REMOVED & DISPOSED OF

STA: 0+00 ~ BEGIN GRADE TO DRAIN

CONST. 58 L.F. OF 3-5' X 10' BOX CULVERT



REVISED TO CONFORM TO CONSTRUCTION RECORDS
 DATE: 5/23/07



THE SEAL APPEARING ON THIS DOCUMENT WAS AUTHORIZED BY W.L. DOUPHARTE II TEXAS P.E. NO. 60102 ON 2/9/01

DOUPHARTE & ASSOCIATES, INC.
 ENGINEERING • PROJECT MANAGEMENT • SURVEYING
 2235 RIDGE RD., # 200 ROCKWALL, TEXAS 75087
 PHONE: (972)771-9004 FAX: (972)771-9005

STORM SEWER PLAN & PROFILE
 LINE H
 TIMBER CREEK ESTATES
 CITY OF ROCKWALL, ROCKWALL COUNTY, TEXAS

REVISION	
W.L.D.	CHECKED
K.E.B.	DRAWN
1/17/01	DATE
9913 STM7	PROJECT
74	OF