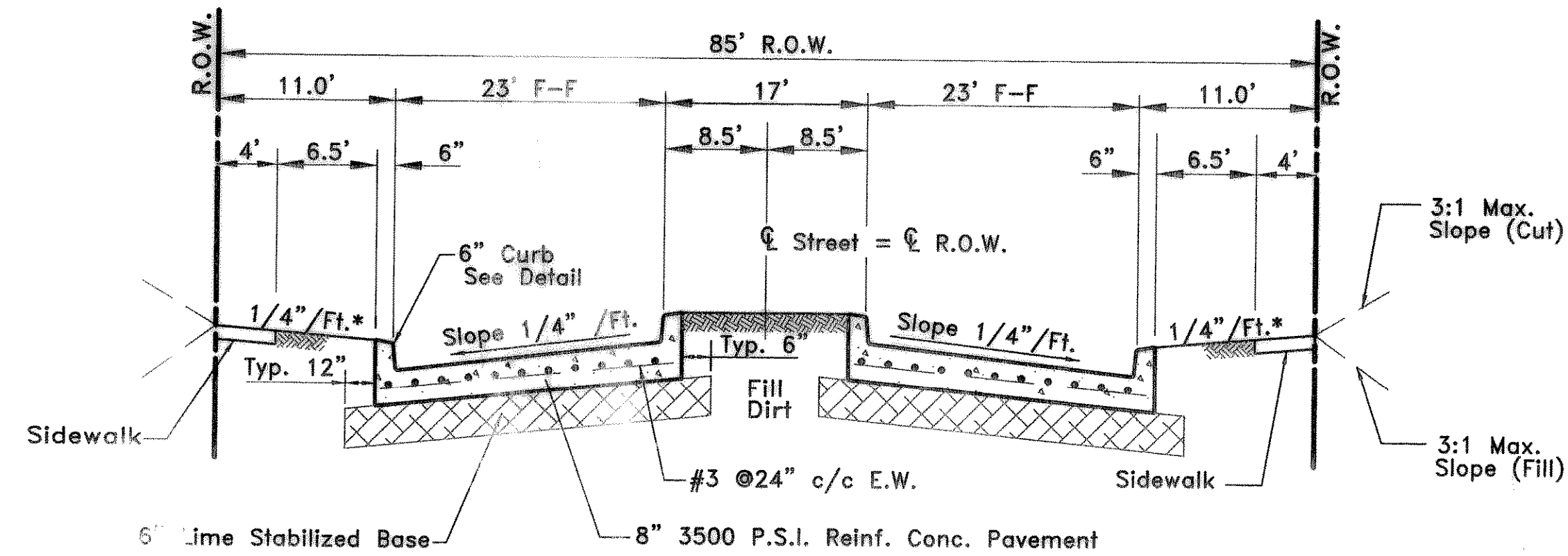


PRINCIPAL 6 - LANE DIVIDED ARTERIAL

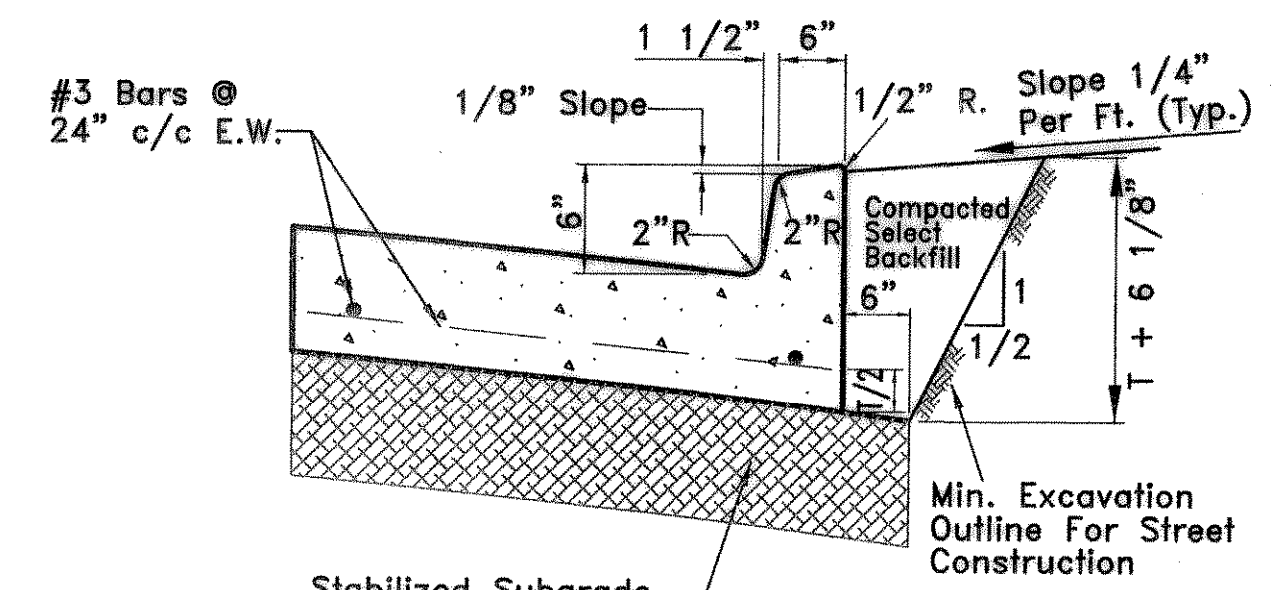
* 1/4" Ft. min. slope & 3/4" /Ft. max. slope



MINOR 4 - LANE DIVIDED ARTERIAL

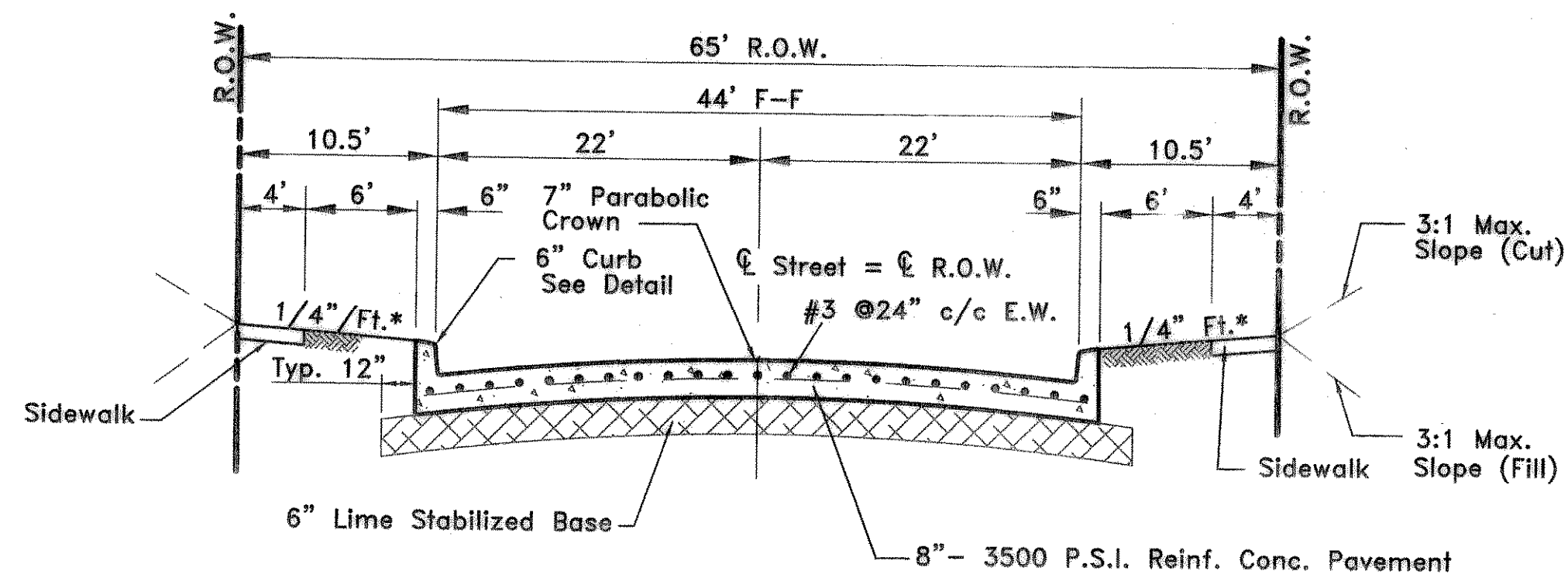
ROCHELLE ROAD

* 1/4" Ft. min. slope & 3/4" /Ft. max. slope



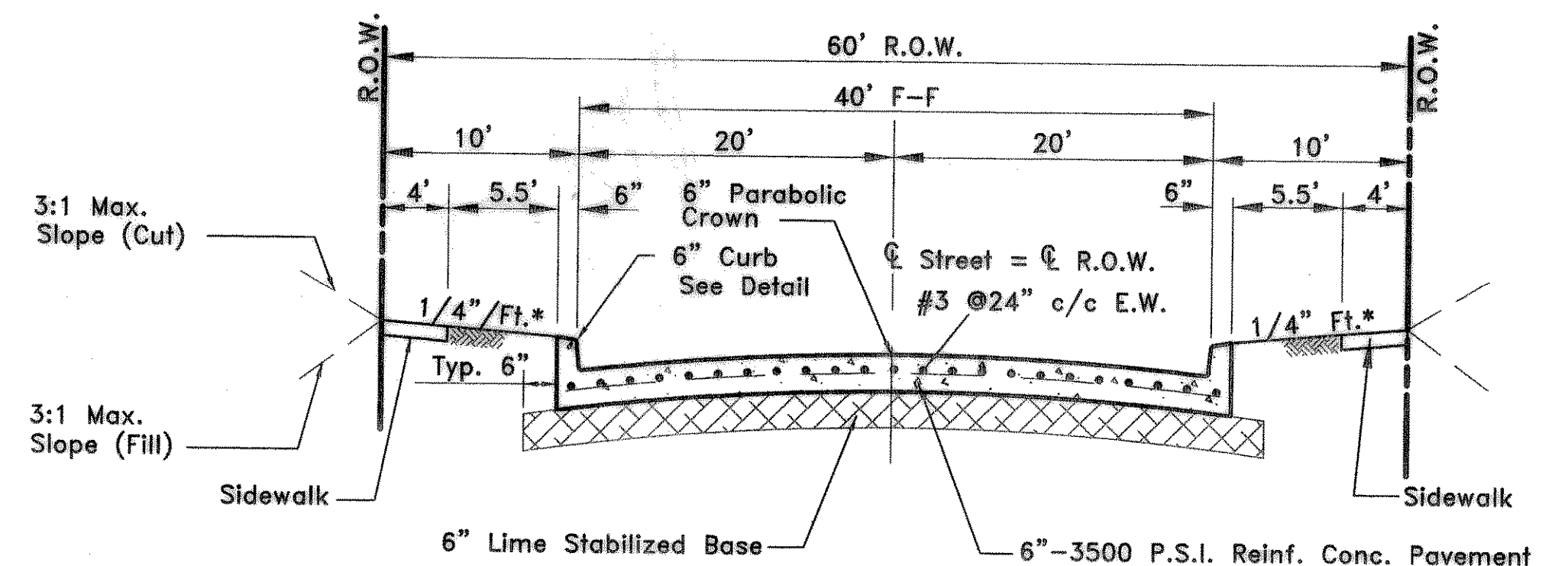
MONOLITHIC CURB

NOTE :
Dimension "T" Equals Pavement Thickness
Shown on Typical Pavement Sections



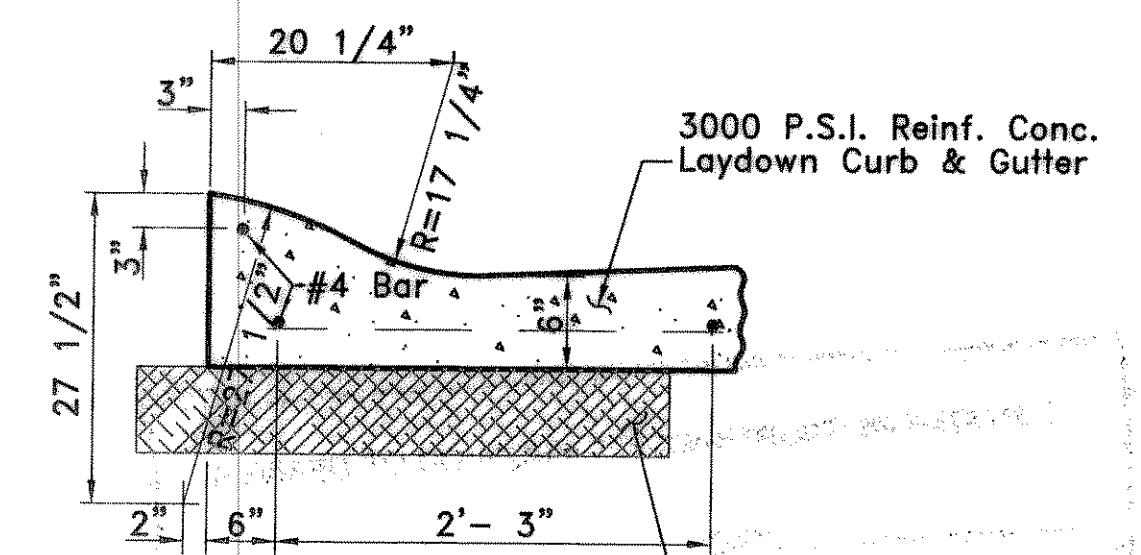
MAJOR 4 - LANE UNDIVIDED COLLECTOR

* 1/4" Ft. min. slope & 3/4" /Ft. max. slope



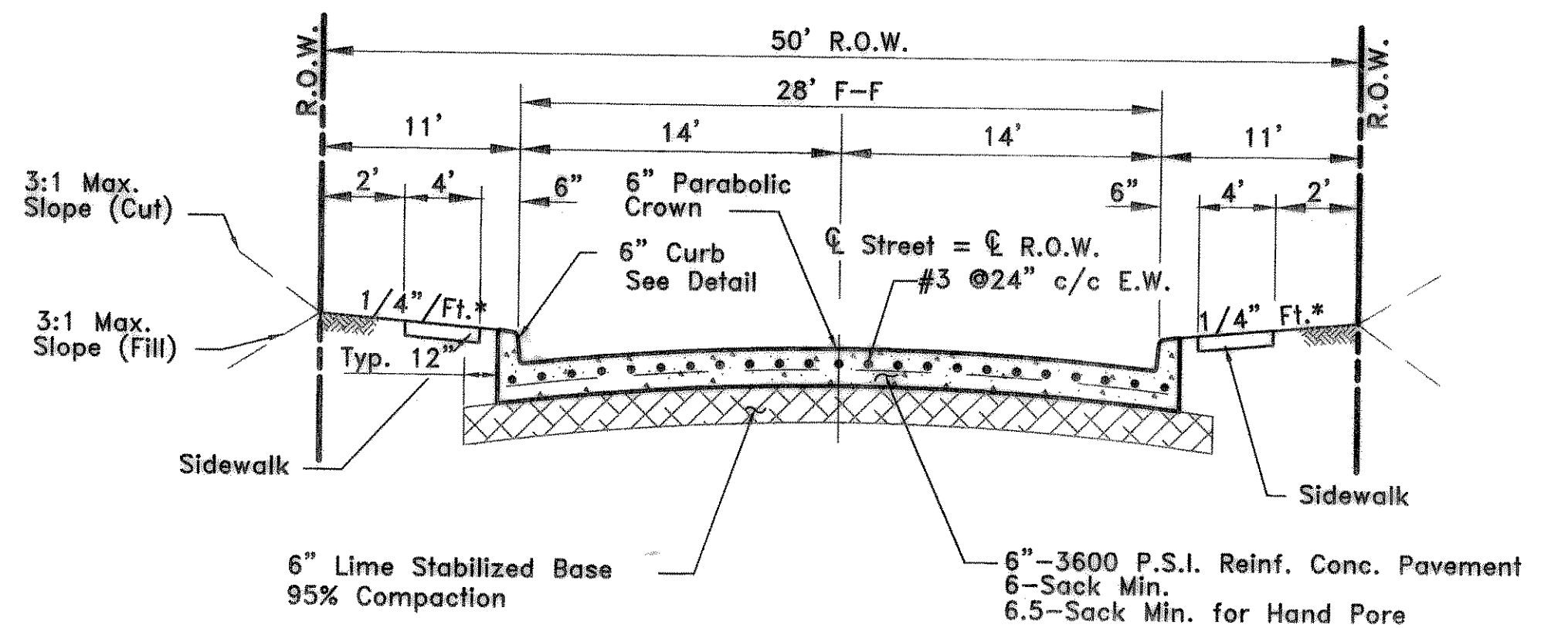
MINOR COLLECTOR and/or LOCAL COMMERCIAL

* 1/4" Ft. min. slope & 3/4" /Ft. max. slope



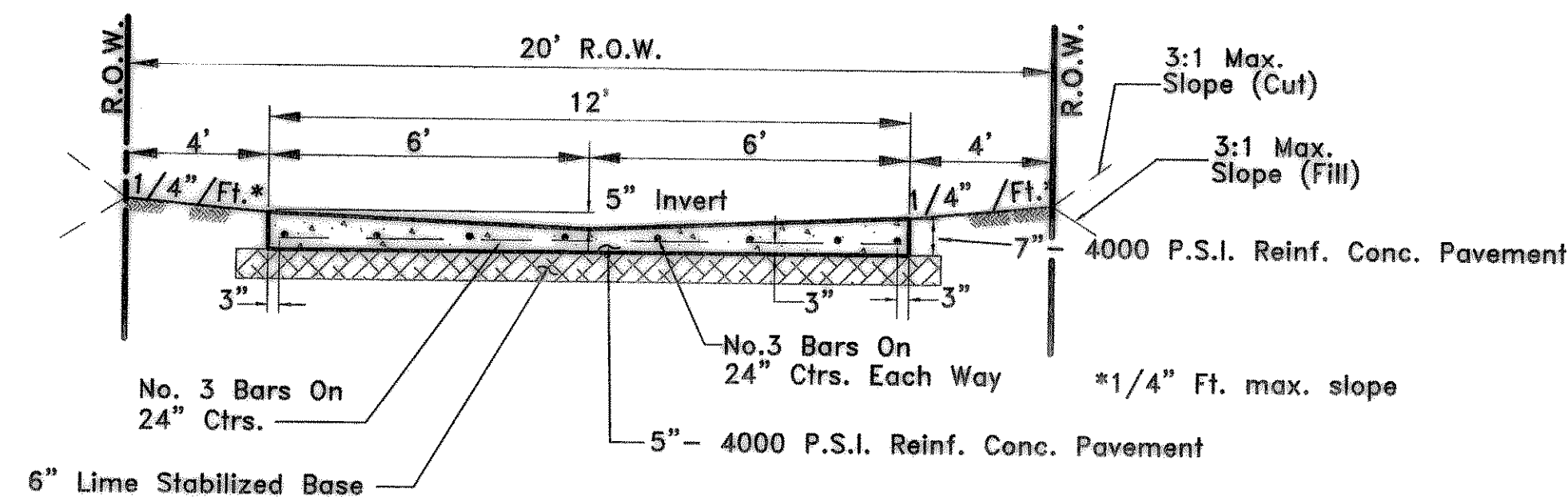
MOUNTABLE CURB & GUTTER

NOTE:
Subgrade Under walk must Be
Compacted To 90% Proctor
Or Use A Sand Cushion Of
4" Min. Thickness.



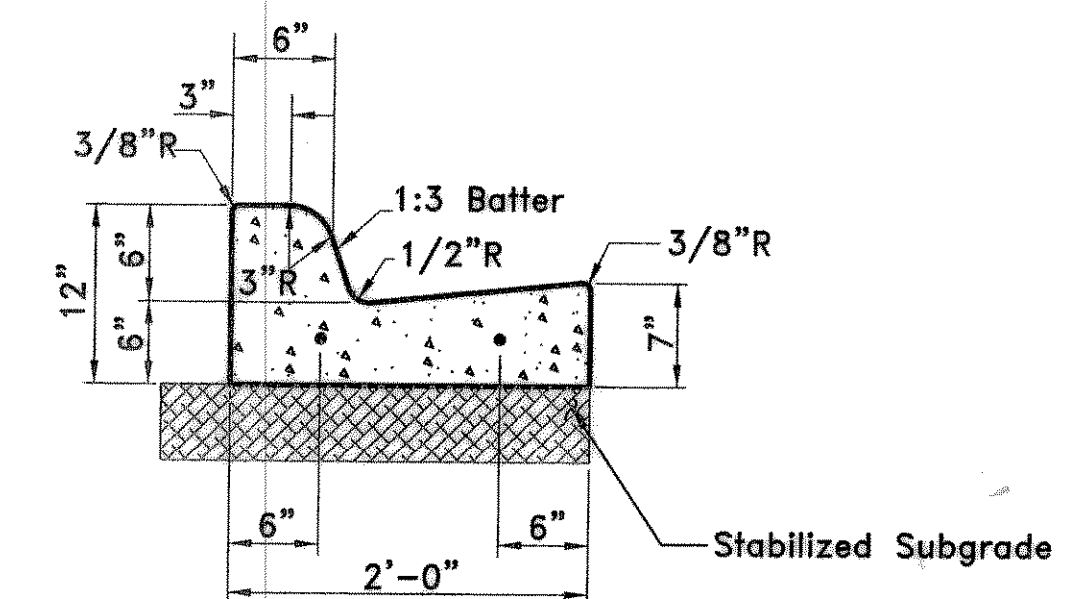
LOCAL RESIDENTIAL
THIS PROJECT

* 1/4" Ft. min. slope & 3/4" /Ft. max. slope



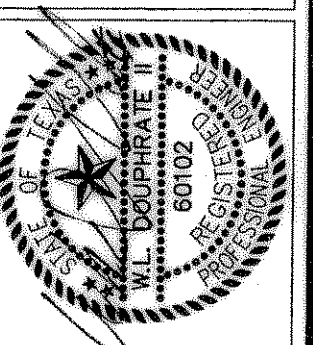
STANDARD 12' ALLEY SECTION
THIS PROJECT

* 1/4" Ft. max. slope



SEPARATE CURB & GUTTER

REVISED TO CONFORM TO CONSTRUCTION RECORDS.
DATE: 5/23/03



THE SEAL APPEARING ON THIS DOCUMENT WAS AUTHORIZED BY THE BOARD OF ENGINEERING EXAMINERS, STATE OF TEXAS, P.L. NO. 60102 ON 4/2/03

DOUPHRATE & ASSOCIATES, INC.
ENGINEERING - PROJECT MANAGEMENT - SURVEYING
2235 RIDGE RD., # 200 ROCKWALL, TEXAS 75087
PHONE: (972)771-9004 FAX: (972)771-9005

DETAILS
TIMBER CREEK ESTATES
CITY OF ROCKWALL
COUNTY OF ROCKWALL

REVISION	
W.L.D.	
CHECKED	
K.E.B.	
DRAWN	
DATE	8/4/00
PROJECT	9913PAVDET