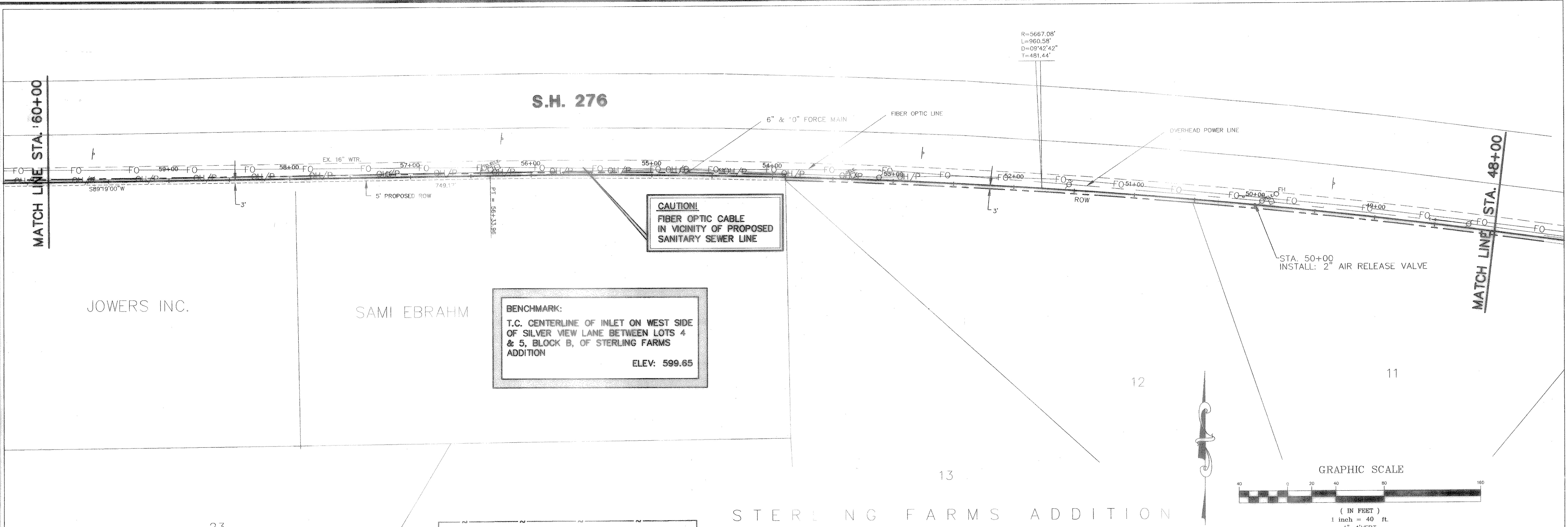


DOUPHRADE & ASSOCIATES, INC.
 ENGINEERING • PROJECT MANAGEMENT • SURVEYING
 2235 RIDGE RD., # 200 ROCKWALL, TEXAS 75087
 PHONE: (972)771-9004 FAX: (972)771-9005

SANITARY SEWER PLAN & PROFILE
 FORCE MAIN STA: 48+00 TO 60+00
 TIMBER CREEK ESTATES
 CITY OF ROCKWALL, ROCKWALL COUNTY, TEXAS

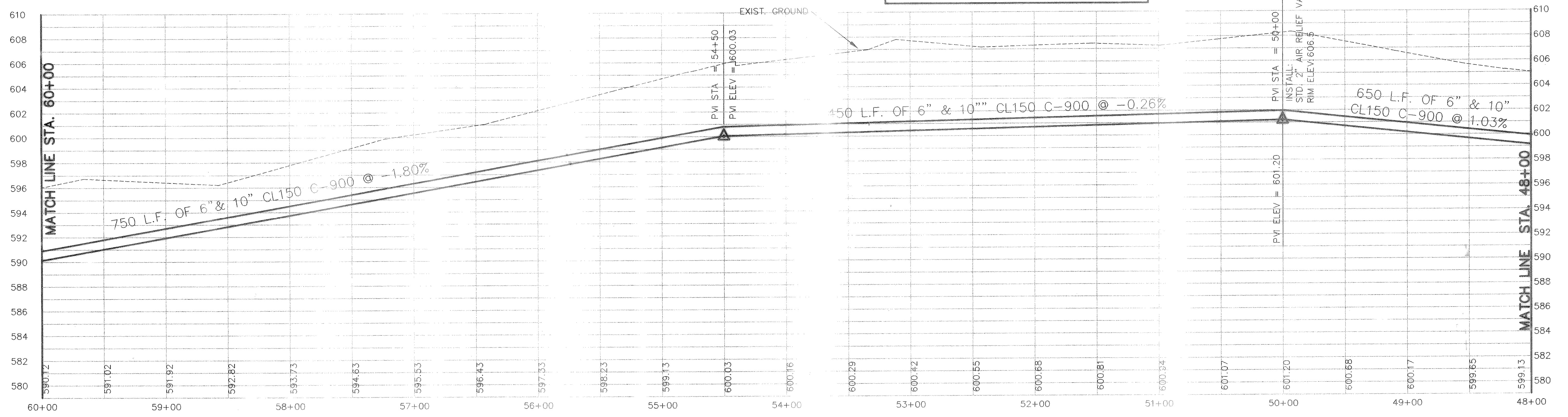
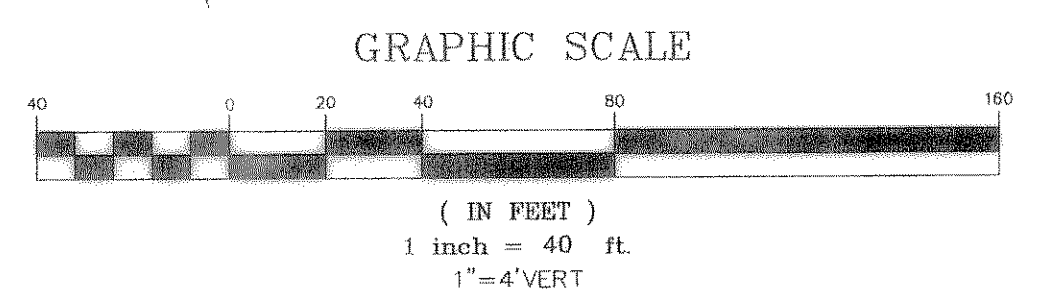
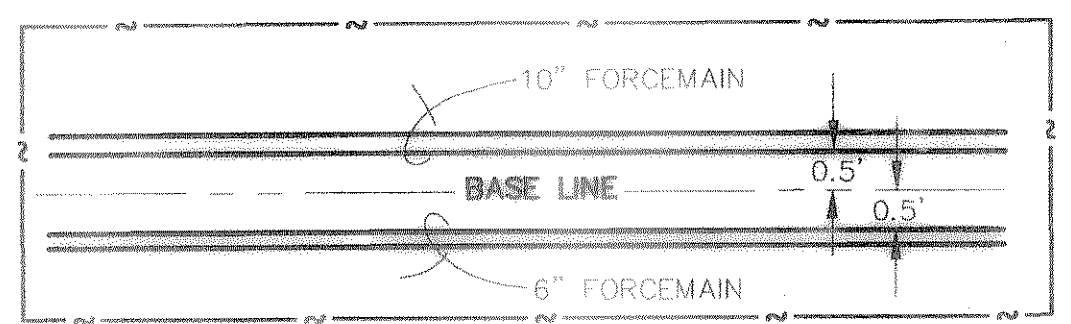
REVISION
 W.L.D.
 CHECKED
 K.E.B.
 DRAWN
 6/28/01
 DATE
 9913FM3-5
 PROJECT



CAUTION!
 FIBER OPTIC CABLE
 IN VICINITY OF PROPOSED
 SANITARY SEWER LINE

BENCHMARK:
 T.C. CENTERLINE OF INLET ON WEST SIDE
 OF SILVER VIEW LANE BETWEEN LOTS 4
 & 5, BLOCK B, OF STERLING FARMS
 ADDITION
 ELEV: 599.65

REVISED TO CONFORM TO CONSTRUCTION RECORDS.
W.L.D. DATE: 12/18/01



STERLING FARMS ADDITION

JOWERS INC.

SAMI EBRAHM

23

12

11

13