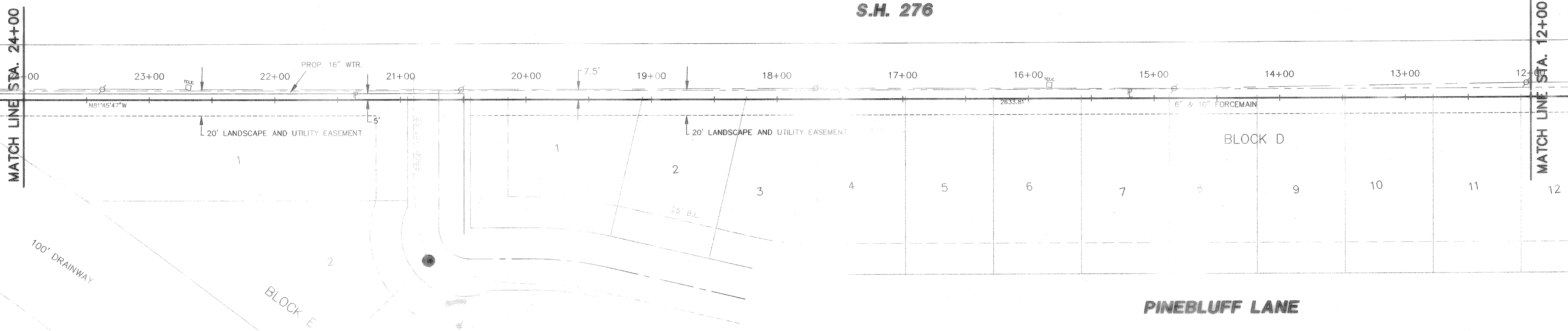


DOUPHRA
& ASSOCIATES, INC.
ENGINEERING - PROJECT MANAGEMENT - SURVEYING
2235 RIDGE RD., # 200 ROCKWALL, TEXAS 75087
PHONE: (972)771-9004 FAX: (972)771-9006

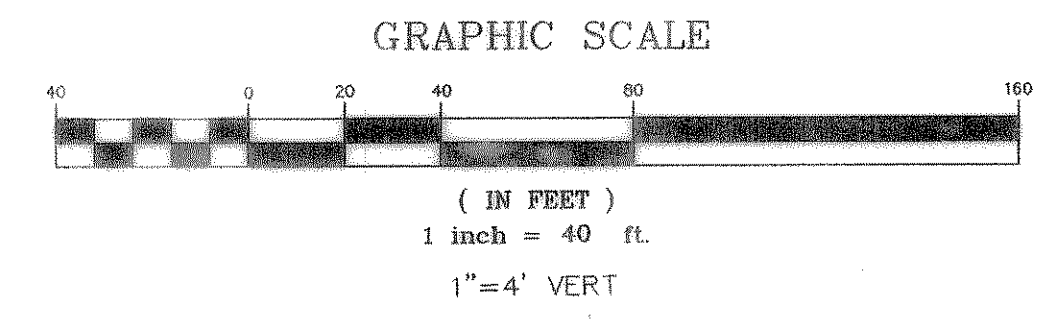
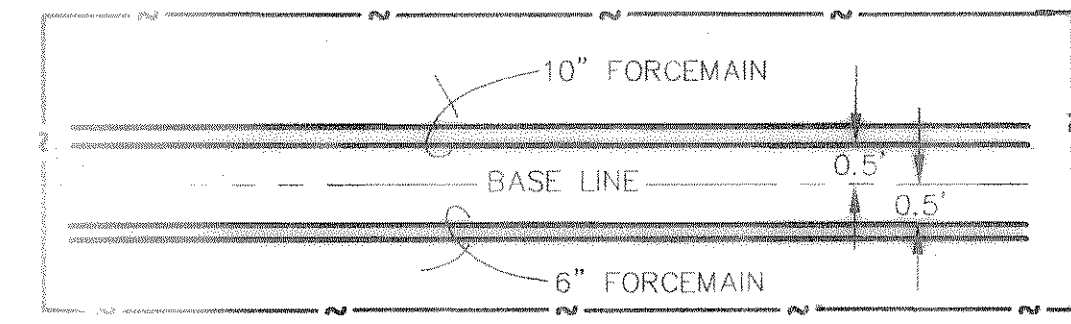
SANITARY SEWER PLAN & PROFILE
FORCE MAIN STA: 12+00 TO 24+00
TIMBER CREEK ESTATES
CITY OF ROCKWALL, ROCKWALL COUNTY, TEXAS

REVISION	
CHECKED	W.L.D.
DRAWN	KEB.
DATE	6/28/01
PROJECT	9913FM3-2
	55 OF

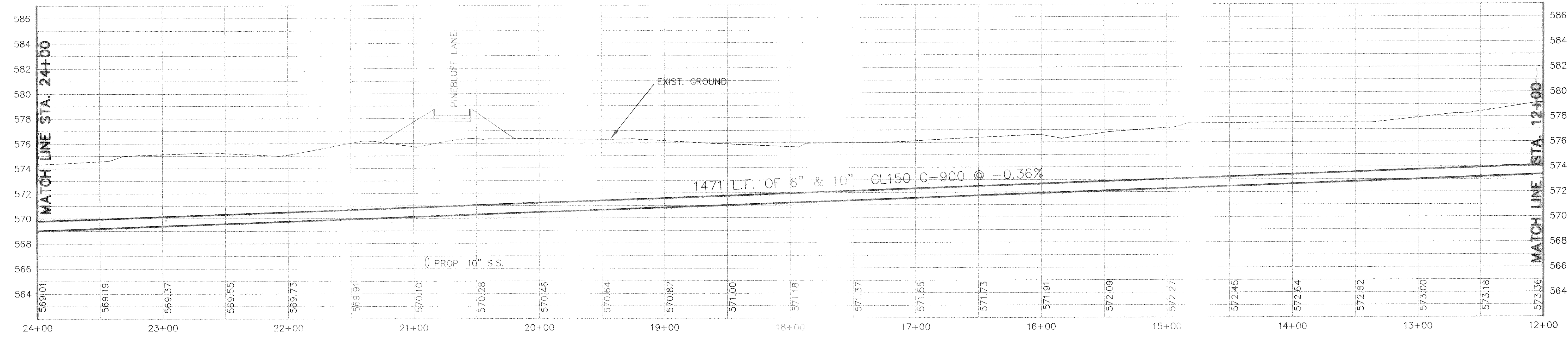
S.H. 276

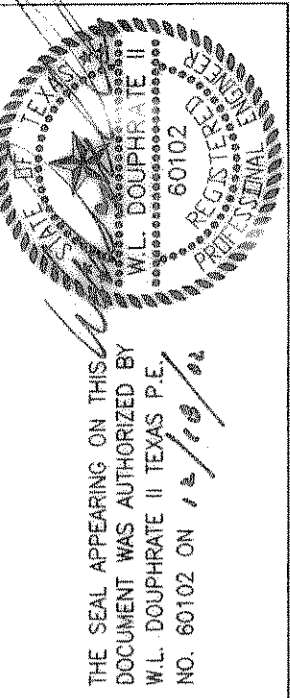


BENCHMARK:
T.C. CENTERLINE OF INLET ON WEST SIDE
OF SILVER VIEW LANE BETWEEN LOTS 4
& 5, BLOCK B, OF STERLING FARMS
ADDITION
ELEV: 599.65



REVISED TO CONFORM TO CONSTRUCTION RECORDS.
W.L. Douphrate DATE: 12/10/02

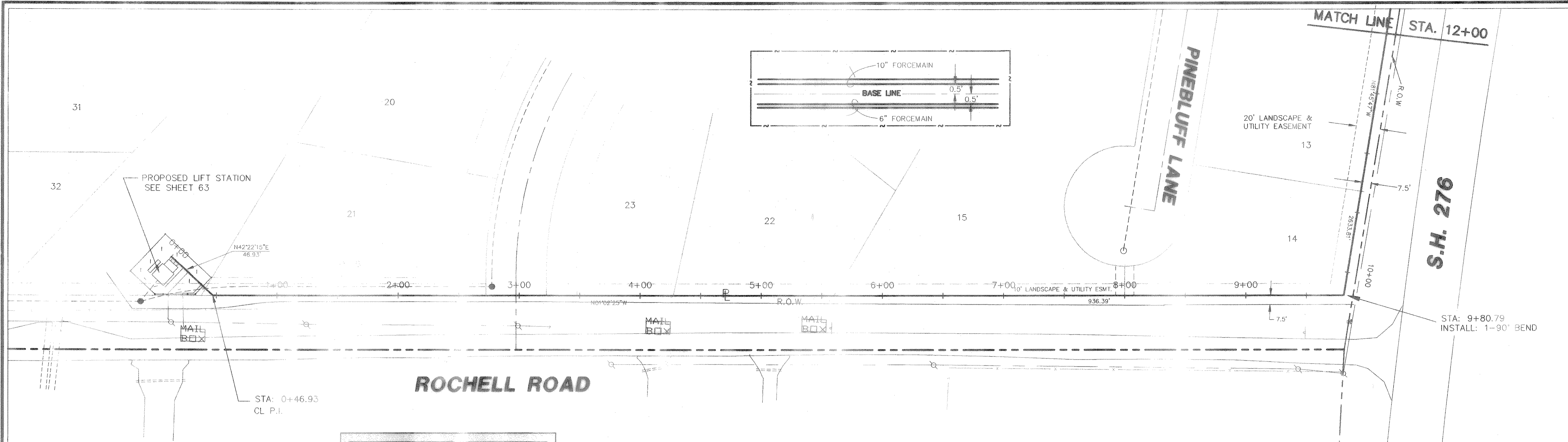




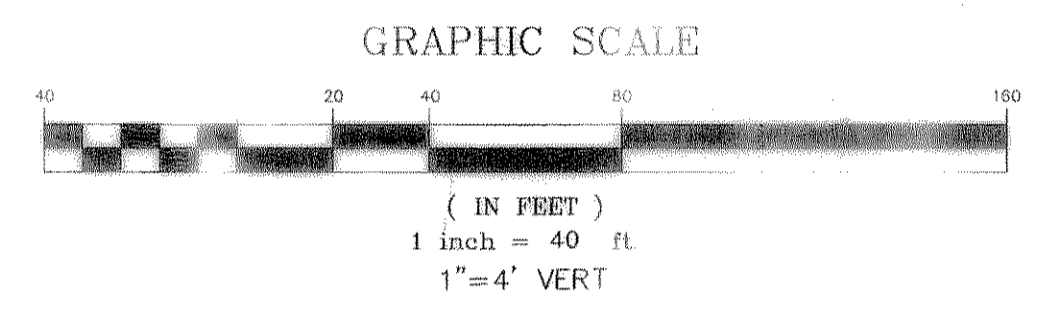
DOUPHRADE & ASSOCIATES, INC.
 ENGINEERING - PROJECT MANAGEMENT - SURVEYING
 2235 RIDGE RD., # 200 ROCKWALL, TEXAS 75087
 PHONE: (972)771-9004 FAX: (972)771-9006

SANITARY SEWER PLAN & PROFILE
 FORCE MAIN STA: 0+00 TO 12+00
 TIMBER CREEK ESTATES
 CITY OF ROCKWALL, ROCKWALL COUNTY, TEXAS

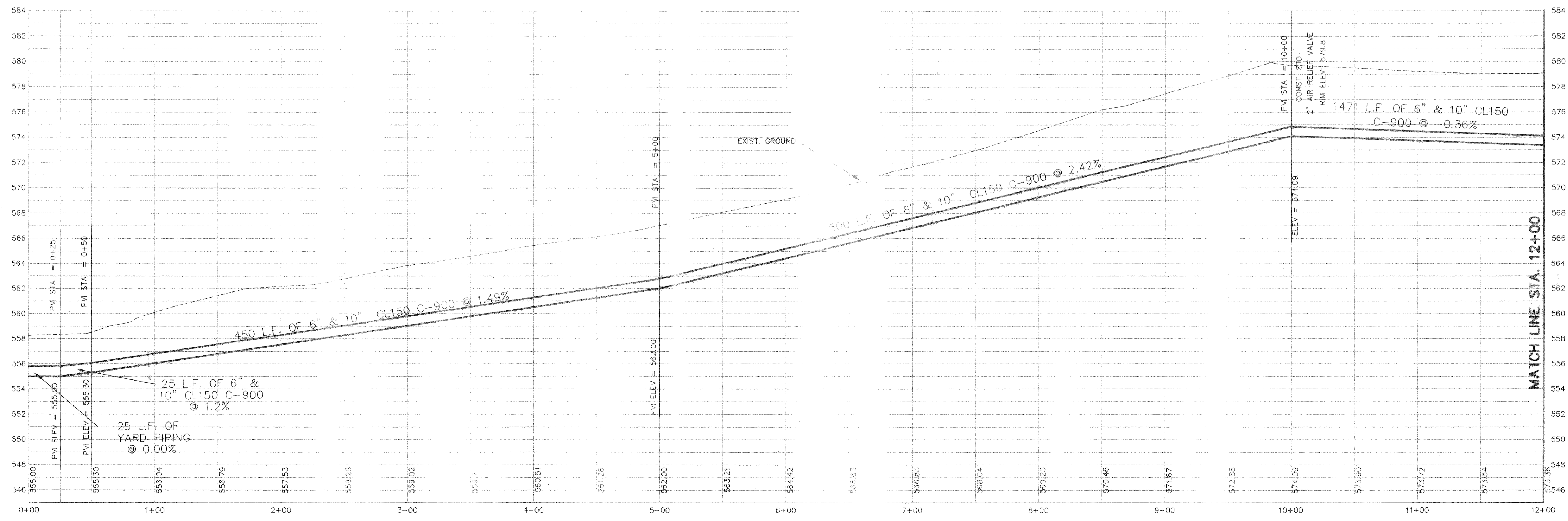
REVISION	
CHECKED	W.L.D.
DRAWN	KEB.
DATE	6/28/01
PROJECT	9913FM3-1
	54 OF

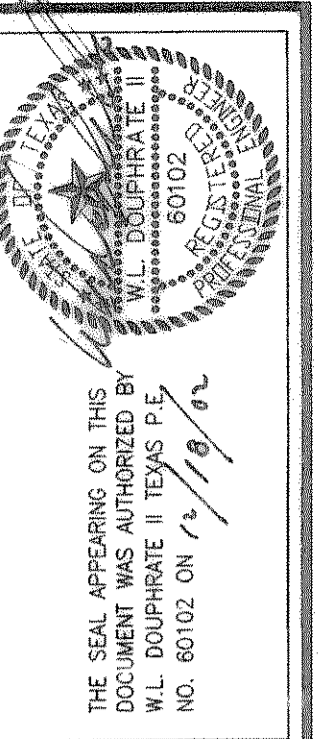


BENCHMARK:
 T.C. CENTERLINE OF INLET ON WEST SIDE
 OF SILVER VIEW LANE BETWEEN LOTS 4
 & 5, BLOCK B, OF STERLING FARMS
 ADDITION
 ELEV: 599.65



REVISED TO CONFORM TO CONSTRUCTION RECORDS.
W.L. Douphrate DATE: 12/18/02

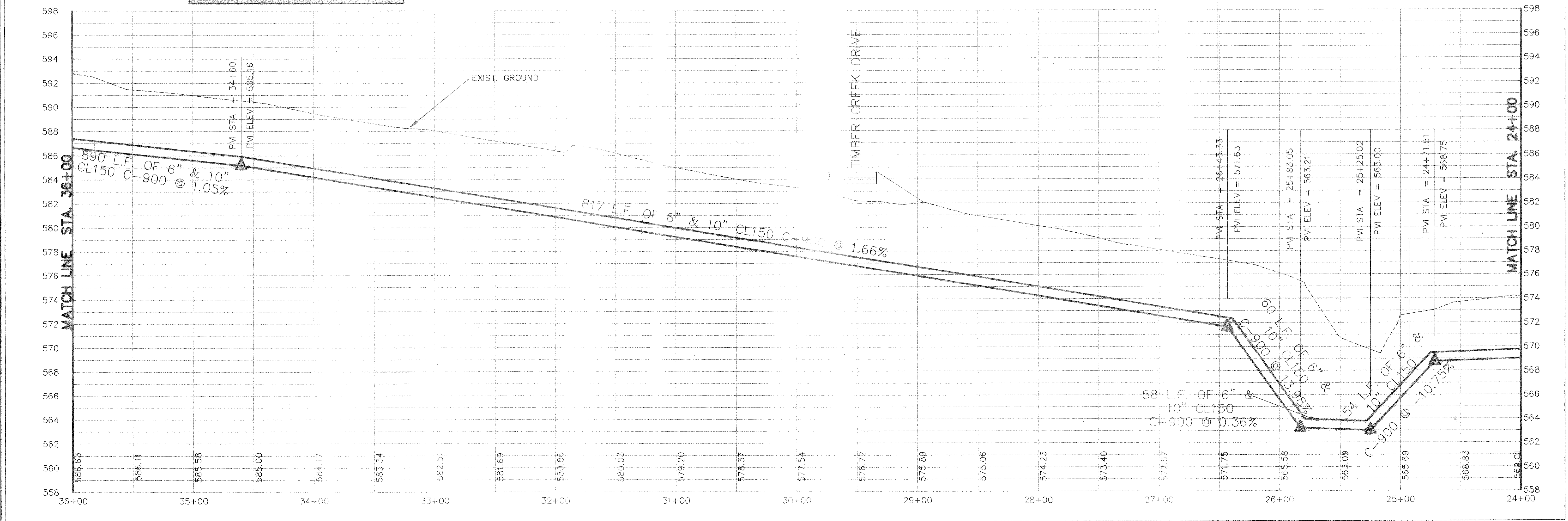
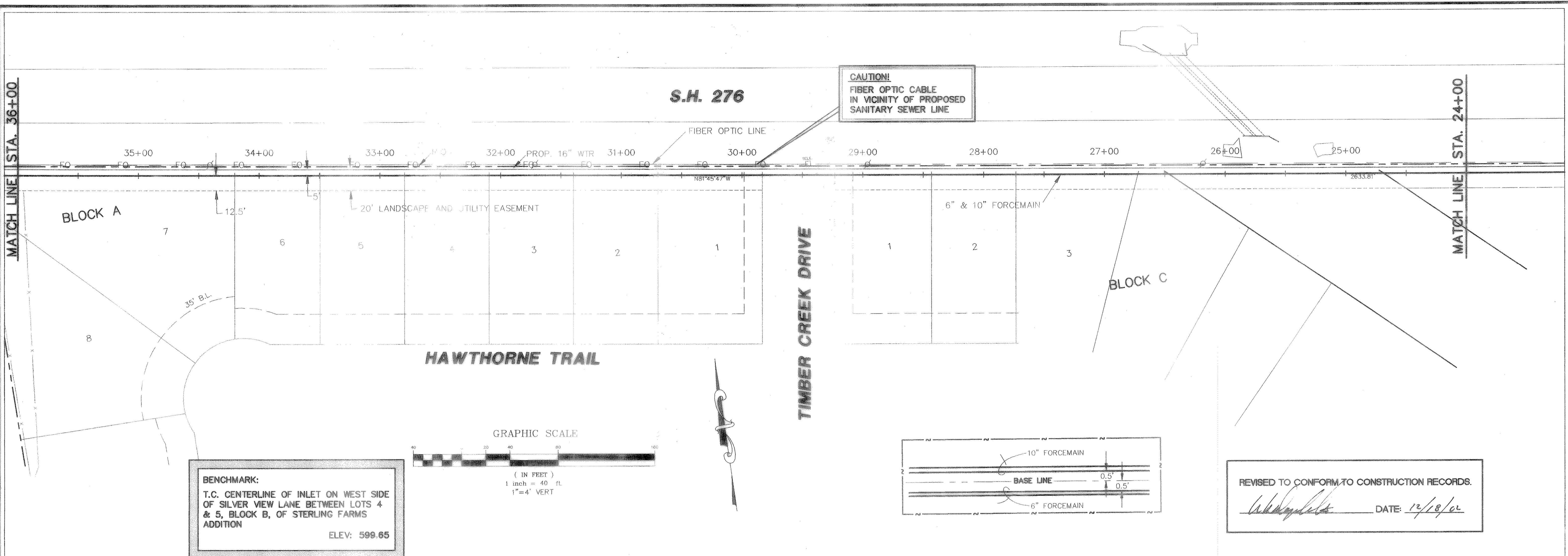


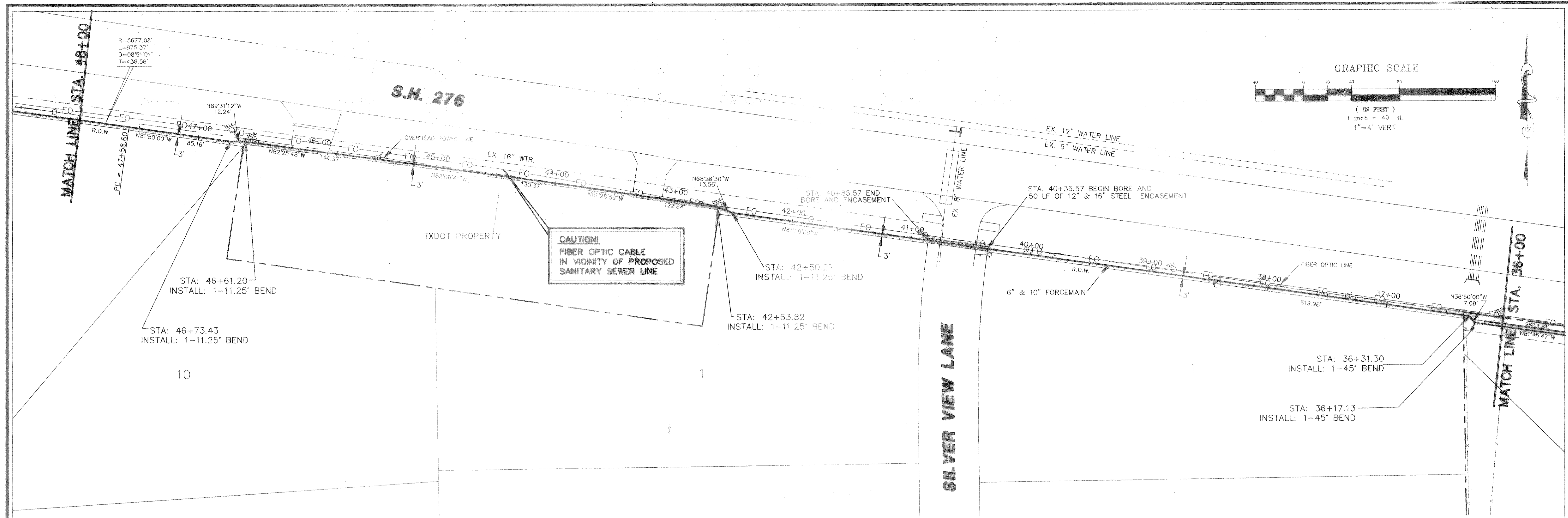
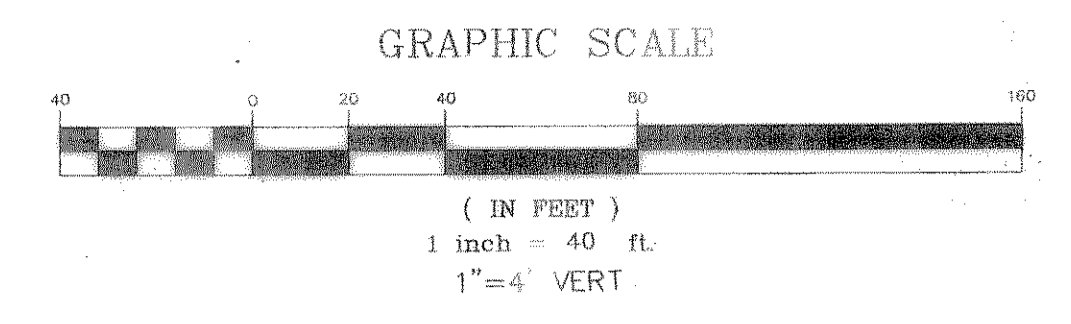
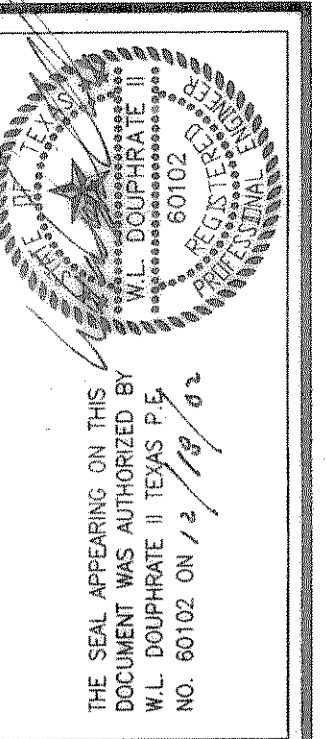


DOUPHRATE & ASSOCIATES, INC.
 ENGINEERING - PROJECT MANAGEMENT - SURVEYING
 2235 RIDGE RD., # 200 ROCKWALL, TEXAS 75087
 PHONE: (972)771-9004 FAX: (972)771-9006

SANITARY SEWER PLAN & PROFILE
 FORCE MAIN STA: 24+00 TO 36+00
 TIMBER CREEK ESTATES
 CITY OF ROCKWALL, ROCKWALL COUNTY, TEXAS

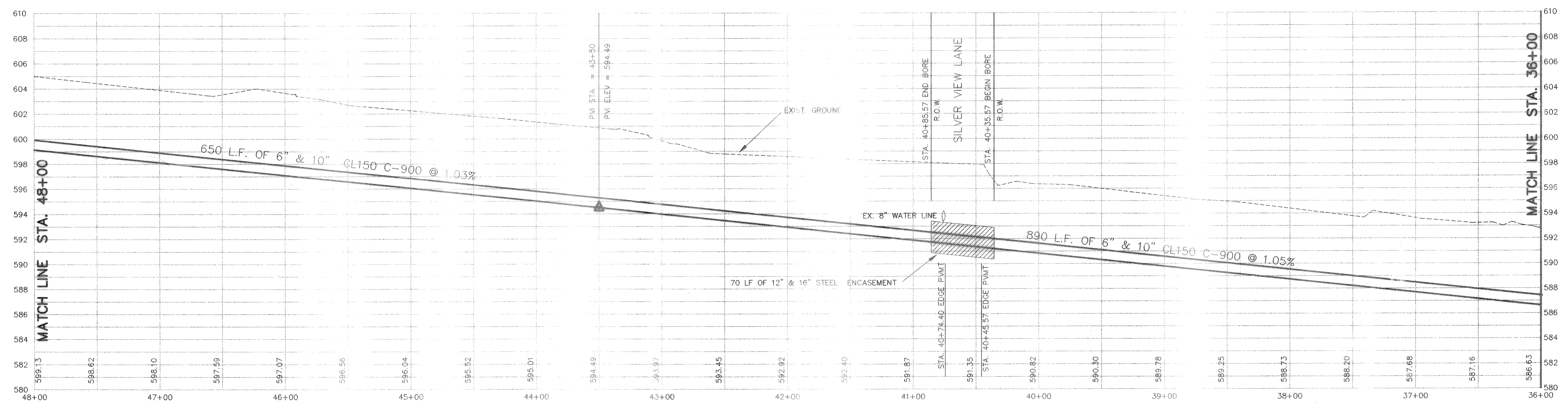
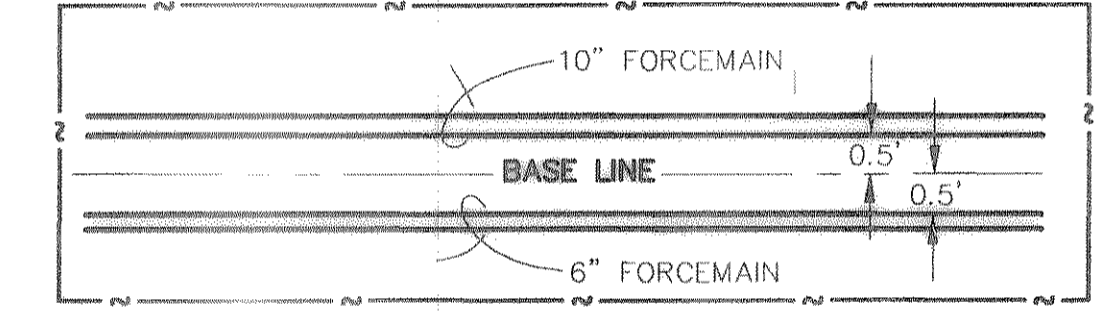
REVISION
W.L.D.
CHECKED
K.E.B.
DRAWN
6/28/01
DATE
9913FM3-4
PROJECT
56
OF





BENCHMARK:
 T.C. CENTERLINE OF INLET ON WEST SIDE
 OF SILVER VIEW LANE BETWEEN LOTS 4
 & 5, BLOCK B, OF STERLING FARMS
 ADDITION
 ELEV: 599.65

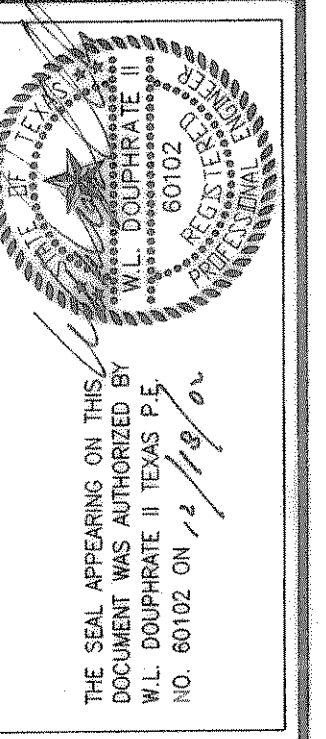
REVISED TO CONFORM TO CONSTRUCTION RECORDS.
W.L. Douphrate DATE: 12/18/01



DOUPHRATE & ASSOCIATES, INC.
 ENGINEERING - PROJECT MANAGEMENT - SURVEYING
 2235 RIDGE RD., # 200 ROCKWALL, TEXAS 75087
 PHONE: (972)771-9004 FAX: (972)771-9005

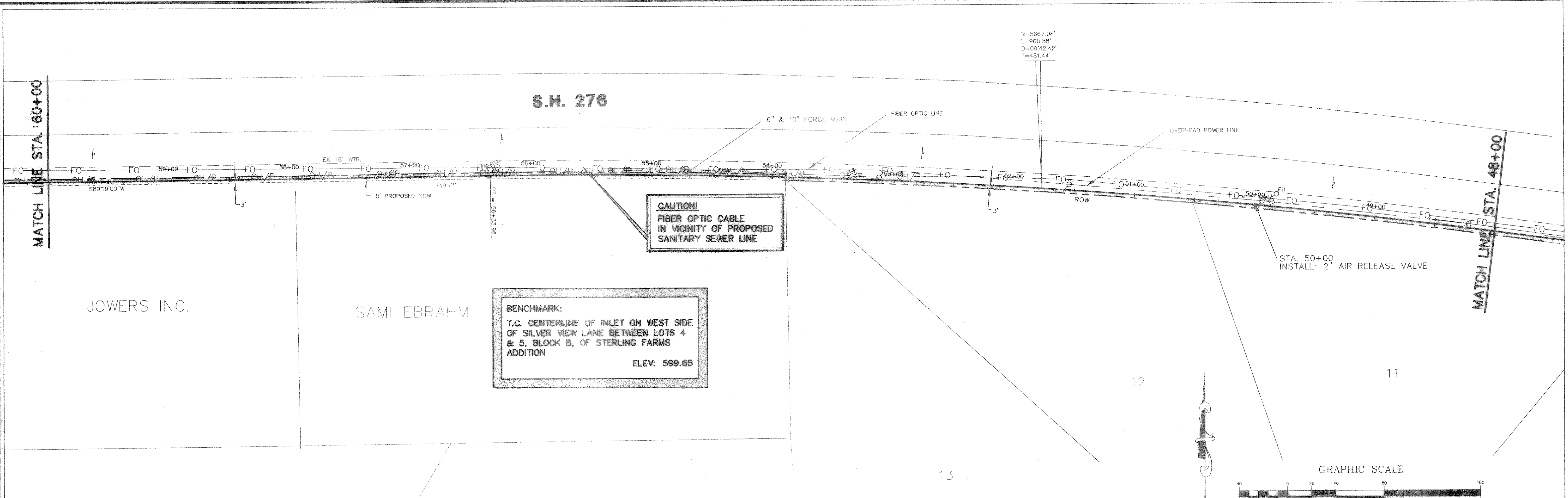
SANITARY SEWER PLAN & PROFILE
 FORCE MAIN STA: 36+00 TO 48+00
 TIMBER CREEK ESTATES
 CITY OF ROCKWALL, ROCKWALL COUNTY, TEXAS

REVISION
W.L.D. CHECKED
K.E.B. DRAWN
6/28/01 DATE
9913FM3-4 PROJECT



THE SEAL APPEARING ON THIS DOCUMENT WAS AUTHORIZED BY W.L. DOUPHRATE II, TEXAS P.E. NO. 60102 ON 11/11/04.

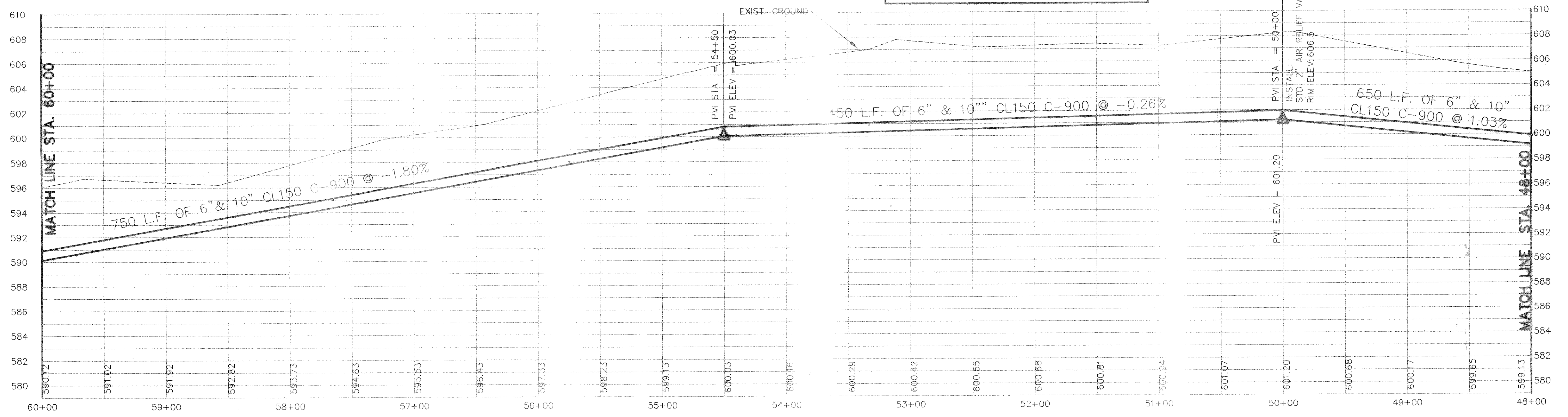
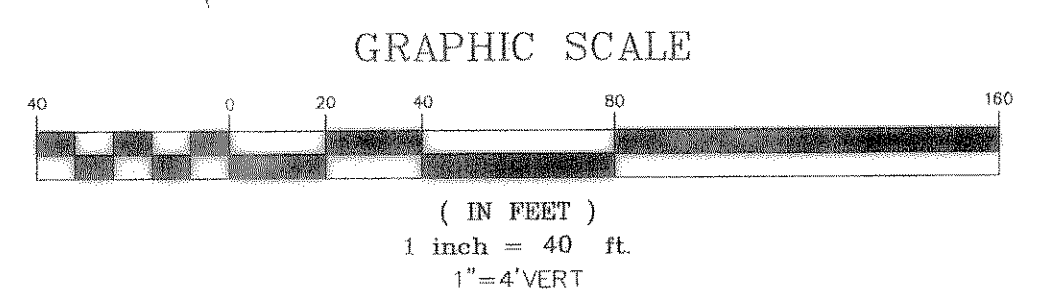
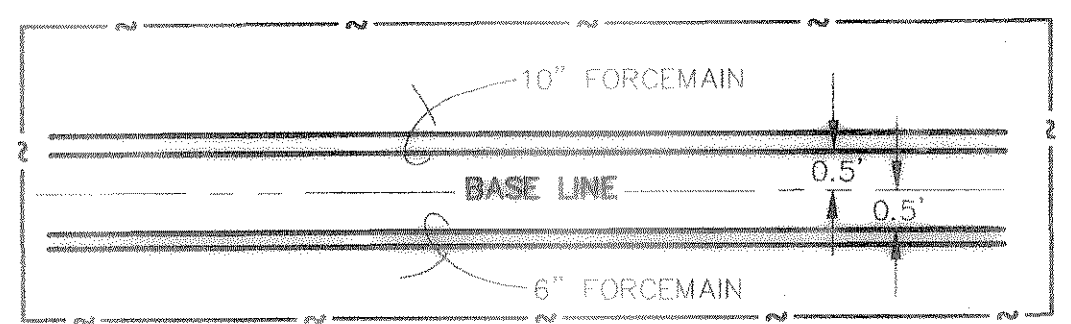
DOUPHRATE & ASSOCIATES, INC.
 ENGINEERING • PROJECT MANAGEMENT • SURVEYING
 2235 RIDGE RD., # 200 ROCKWALL, TEXAS 75087
 PHONE: (972)771-9004 FAX: (972)771-9005



CAUTION!
 FIBER OPTIC CABLE
 IN VICINITY OF PROPOSED
 SANITARY SEWER LINE

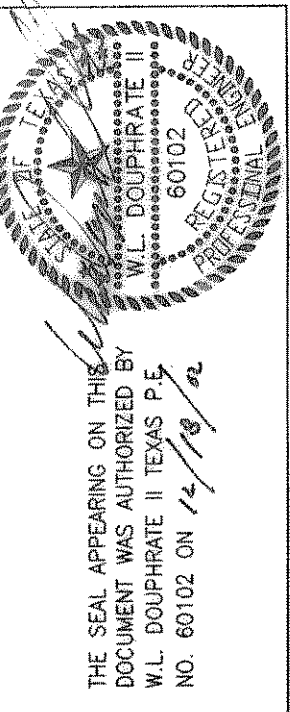
BENCHMARK:
 T.C. CENTERLINE OF INLET ON WEST SIDE
 OF SILVER VIEW LANE BETWEEN LOTS 4
 & 5, BLOCK B, OF STERLING FARMS
 ADDITION
 ELEV: 599.65

REVISED TO CONFORM TO CONSTRUCTION RECORDS.
W.L. Douphrate DATE: 12/18/04



SANITARY SEWER PLAN & PROFILE
 FORCE MAIN STA: 48+00 TO 60+00
 TIMBER CREEK ESTATES
 CITY OF ROCKWALL, ROCKWALL COUNTY, TEXAS

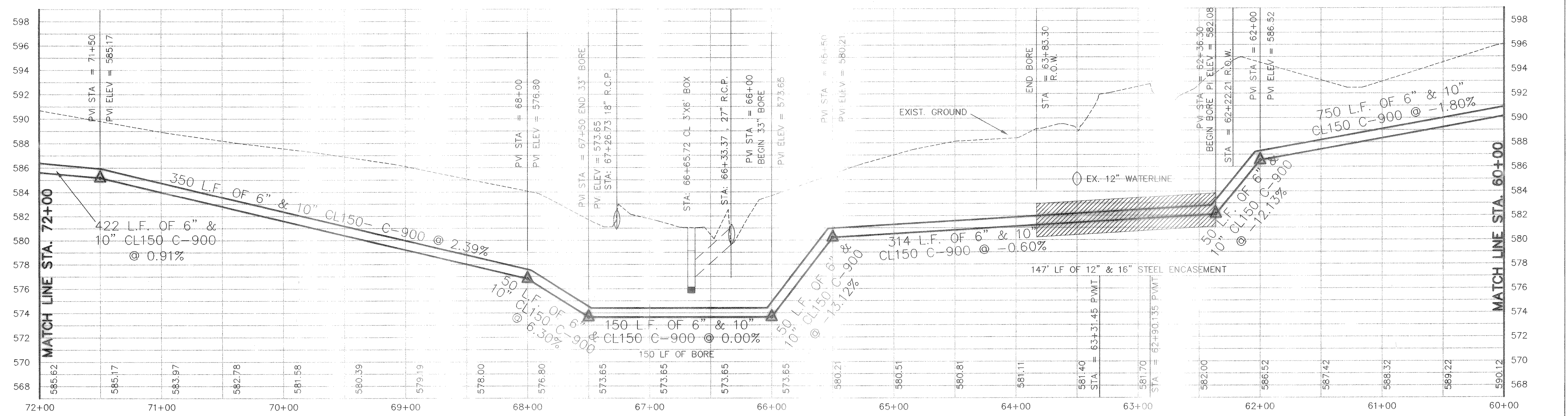
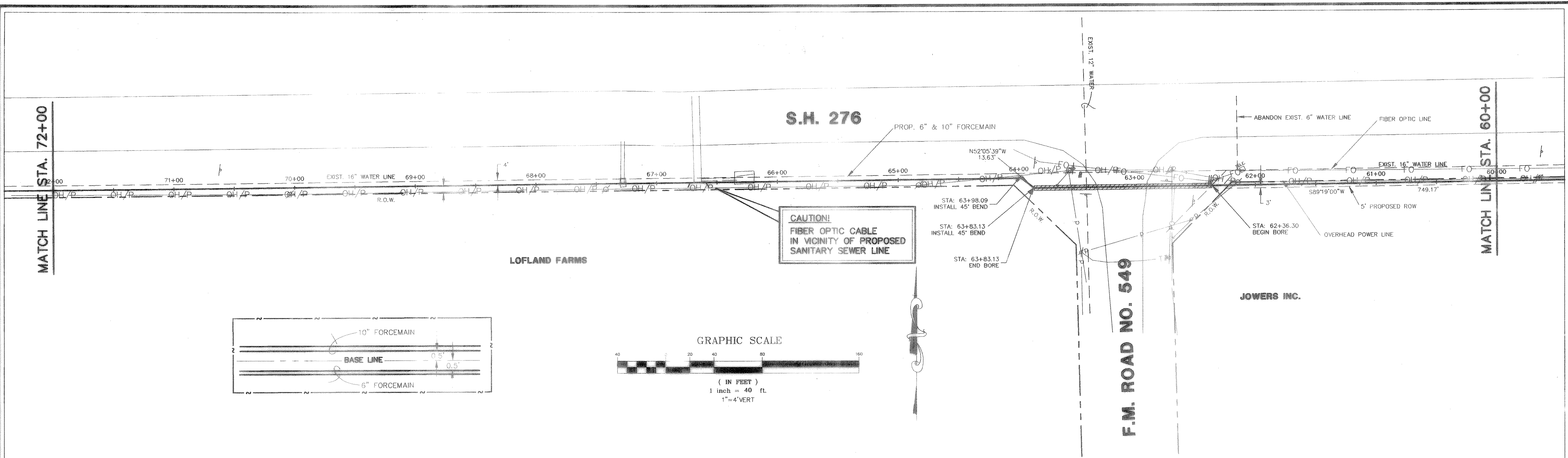
REVISION
 CHECKED: W.L.D.
 DRAWN: K.E.B.
 DATE: 6/28/01
 PROJECT: 9913FM3-5

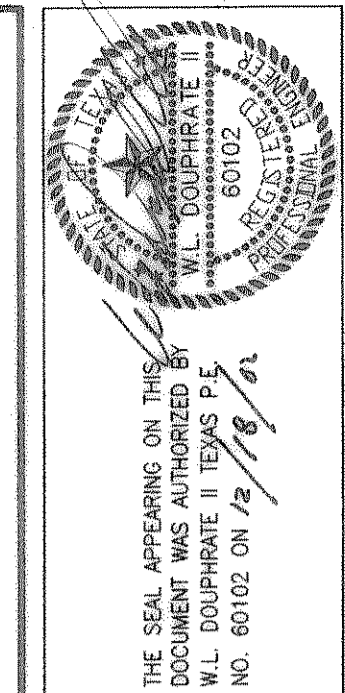


DOUPHRA
& ASSOCIATES, INC.
ENGINEERING - PROJECT MANAGEMENT - SURVEYING
2235 RIDGE RD., # 200 ROCKWALL, TEXAS 75087
PHONE: (972)771-9004 FAX: (972)771-9005

SANITARY SEWER PLAN & PROFILE
FORCE MAIN STA: 60+00 TO 72+00
TIMBER CREEK ESTATES
CITY OF ROCKWALL, ROCKWALL COUNTY, TEXAS

REVISION	
CHECKED	W.L.D.
DRAWN	K.E.B.
DATE	6/28/01
PROJECT	9913FM3-6
	59 OF

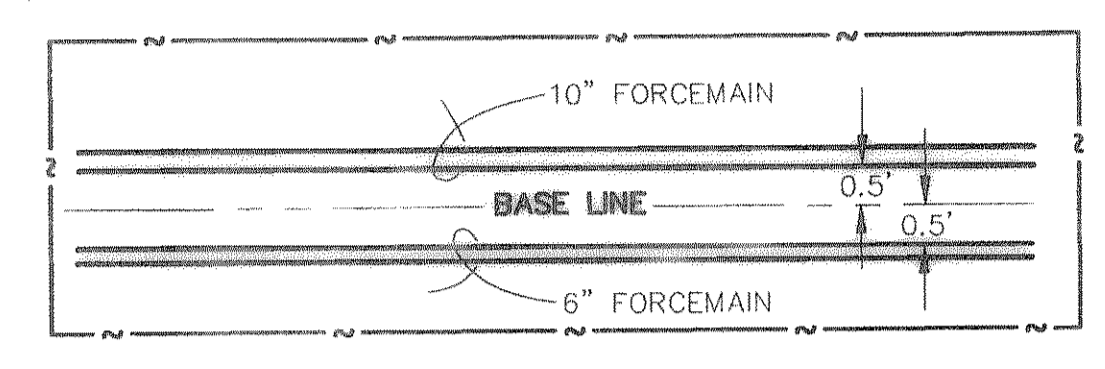
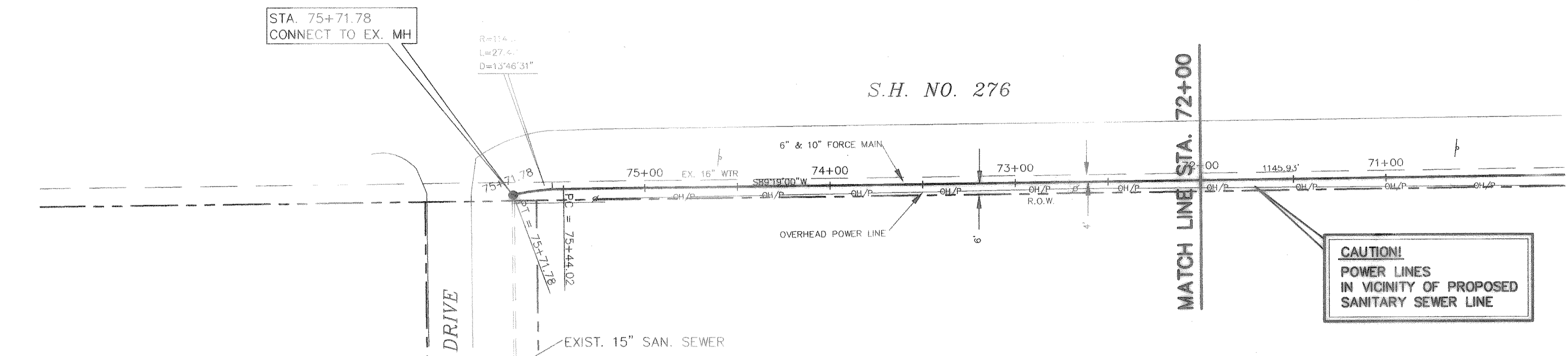




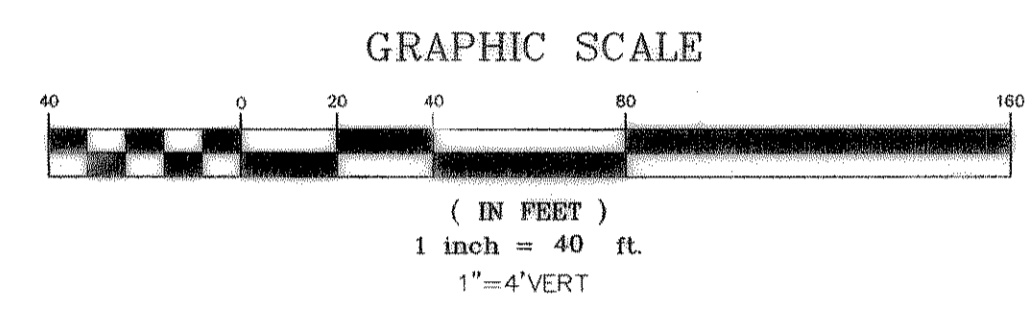
DOUPHRA
 & ASSOCIATES, INC.
 ENGINEERING - PROJECT MANAGEMENT - SURVEYING
 2235 RIDGE RD., # 200 ROCKWALL, TEXAS 75087
 PHONE: (972)771-9004 FAX: (972)771-9005

FORCE MAIN PLAN AND PROFILE
 STA: 72+00 TO 75+71.78
 TIMBER CREEK ESTATES
 CITY OF ROCKWALL, ROCKWALL COUNTY, TEXAS

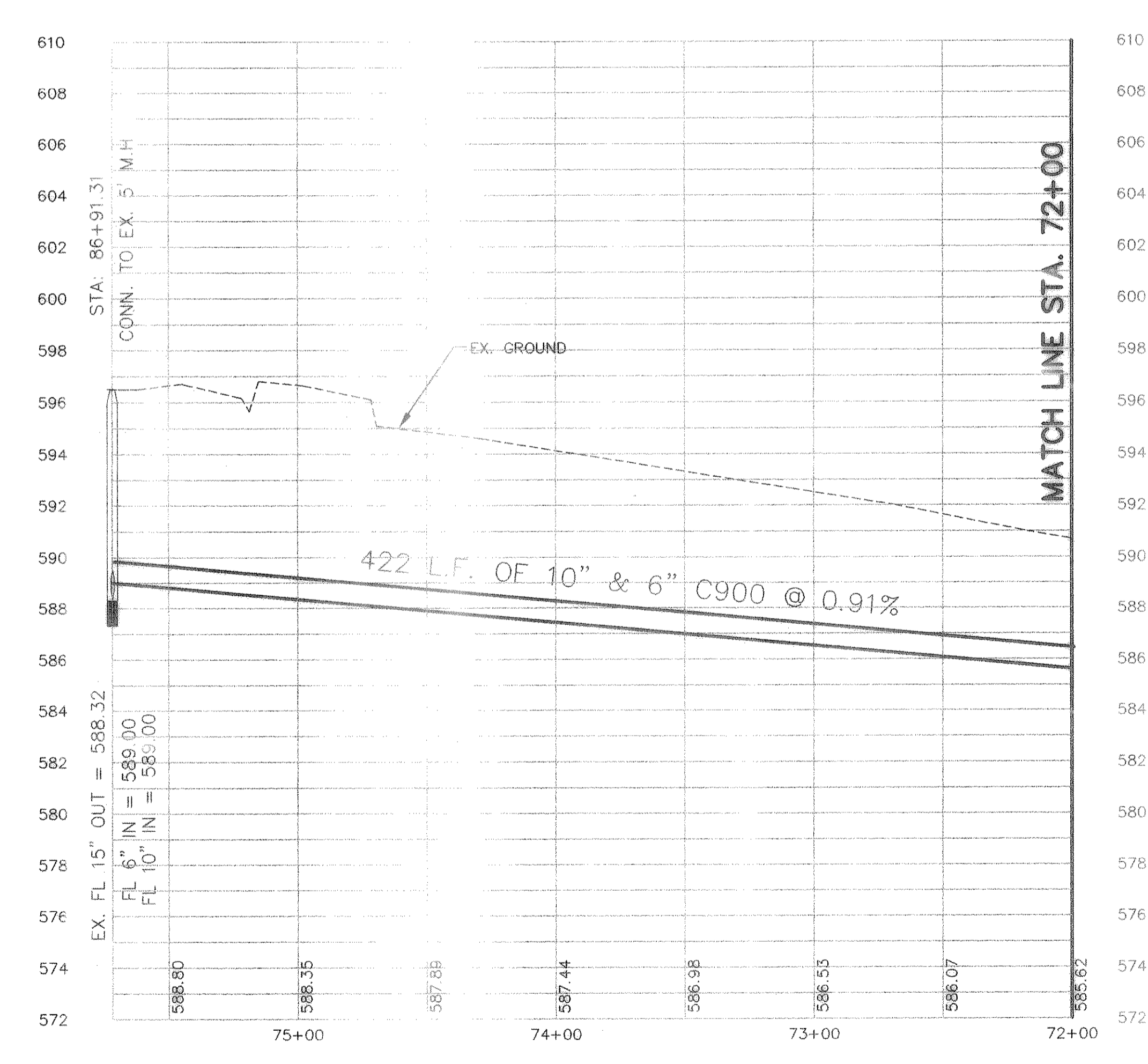
REVISION	
CHECKED	W.L.D.
DRAWN	K.E.B.
DATE	6/28/01
PROJECT	9913FM3-7
	60 OF



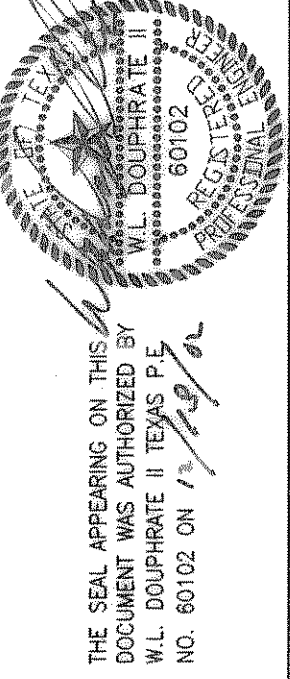
CAUTION!
 POWER LINES
 IN VICINITY OF PROPOSED
 SANITARY SEWER LINE



BENCHMARK:
 T.C. CENTERLINE OF INLET ON WEST SIDE
 OF SILVER VIEW LANE BETWEEN LOTS 4
 & 5, BLOCK B, OF STERLING FARMS
 ADDITION
 ELEV: 599.65



REVISED TO CONFORM TO CONSTRUCTION RECORDS.
W.L. Douphrate DATE: 12/03/02



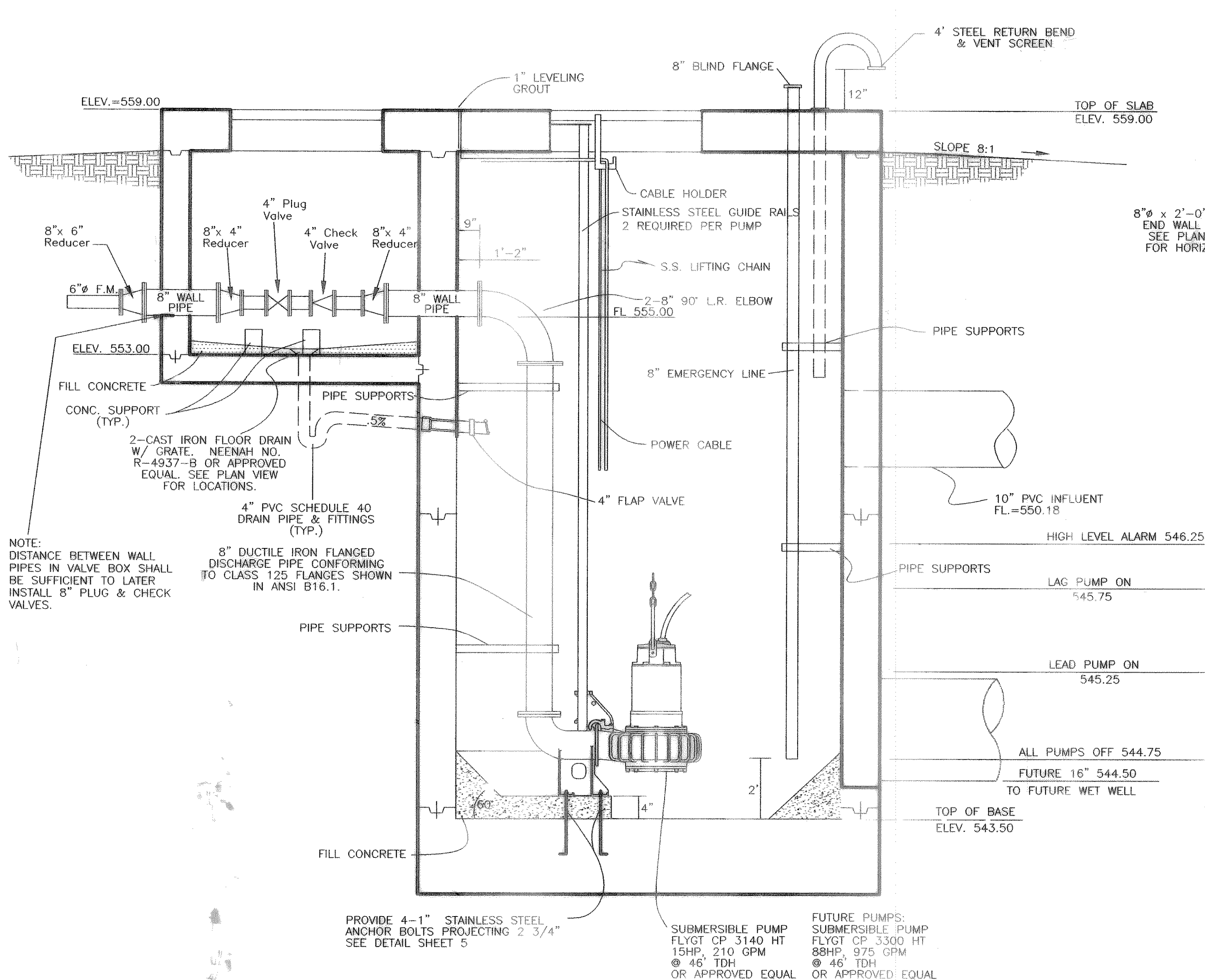
DOUPHRADE & ASSOCIATES, INC.
 ENGINEERING - PROJECT MANAGEMENT - SURVEYING
 2235 RIDGE RD., # 200 ROCKWALL, TEXAS 75087
 PHONE: (972)771-9004 FAX: (972)771-9005

SECTION A-A PLAN
 LIFT STATION
 TIMBER CREEK ESTATES
 CITY OF ROCKWALL, ROCKWALL COUNTY, TEXAS

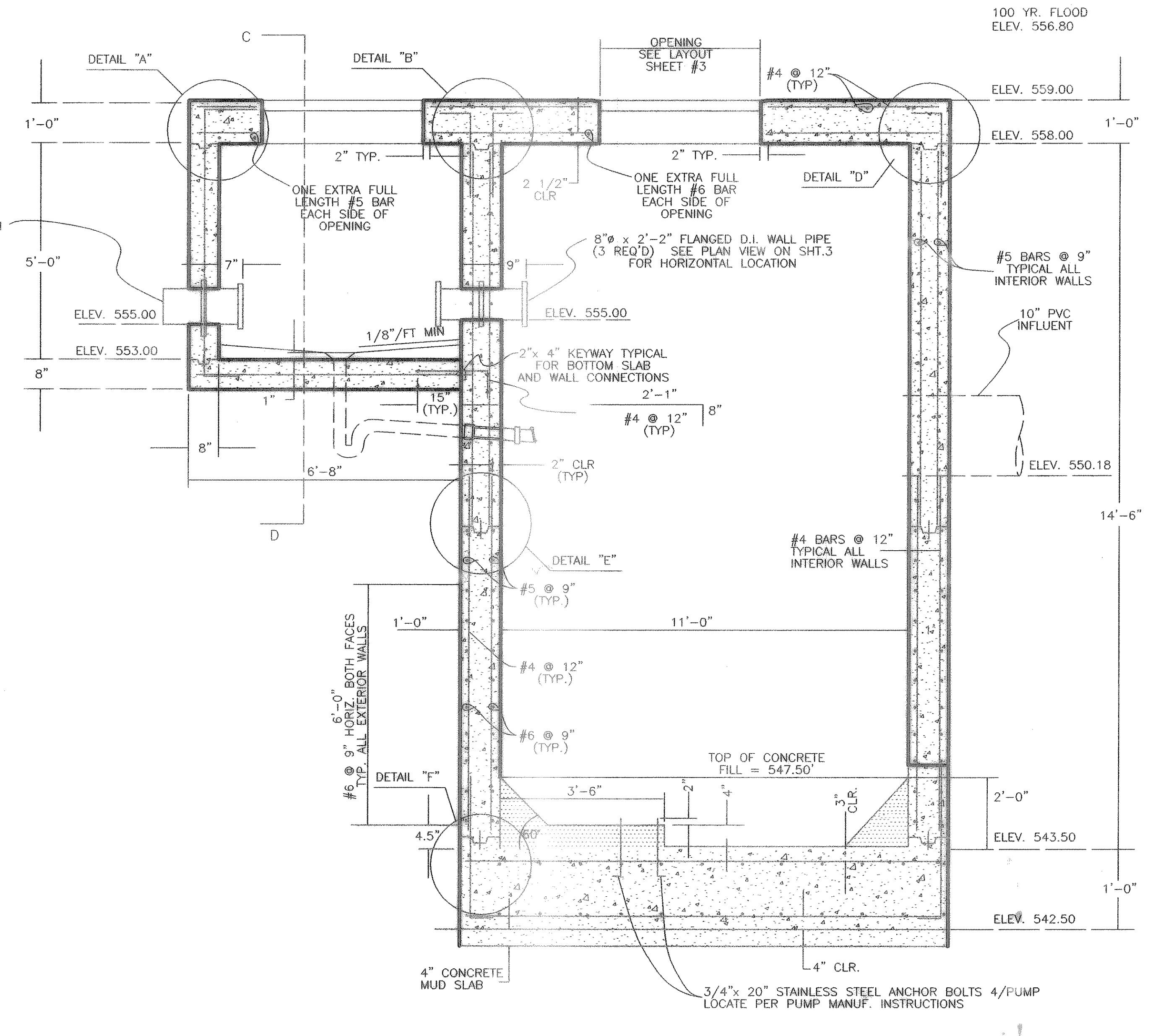
REVISION
W.L.D. CHECKED
K.E.B. DRAWN
7/25/00 DATE
9913 LS3b PROJECT
65 OF

- GENERAL NOTES:
- USE NON-SHRINK GROUT AT ALL STRUCTURE PENETRATIONS (SEE CONSTRUCTION NOTE 2.)
 - SEAL ALL ELECTRIC CONDUIT PIPE WITH FLEX SEALER SO THAT NO SEWER GAS PENETRATES ELECTRICAL CONTROL CABINET.
 - LEVEL CONTROLS SHALL BE INSTALLED IN DISTRIBUTION WELL. DEVICE SHALL BE FLOAT LEVEL CONTROL SYSTEM BY ITT FLYGT OR AN APPROVED EQUAL. ALSO, ONE (1) FLOAT SWITCH SHALL BE INSTALLED IN EACH PUMP WELL (3 REQ'D) FOR LOW LEVEL CUT-OFF AND ONE (1) FLOAT SWITCH SHALL BE INSTALLED IN DISTRIBUTION BOX/WET WELL FOR HIGH LEVEL ALARM SWITCH. CLAMP LOW LEVEL FLOW SWITCH CABLE TO PIPE TO PREVENT EXCESSIVE MOVEMENT OF FLOAT.
 - FUTURE VALVE VAULT PIPING WILL BE 8" PIPE, 8" CHECK VALVE, AND 8" PLUG VALVE TO REPLACE ALL 4" PIPING. ALSO REMOVE THE 8" x 4" REDUCERS.

REVISED TO CONFORM TO CONSTRUCTION RECORDS.
W.L. Douphrate DATE: 12/18/01



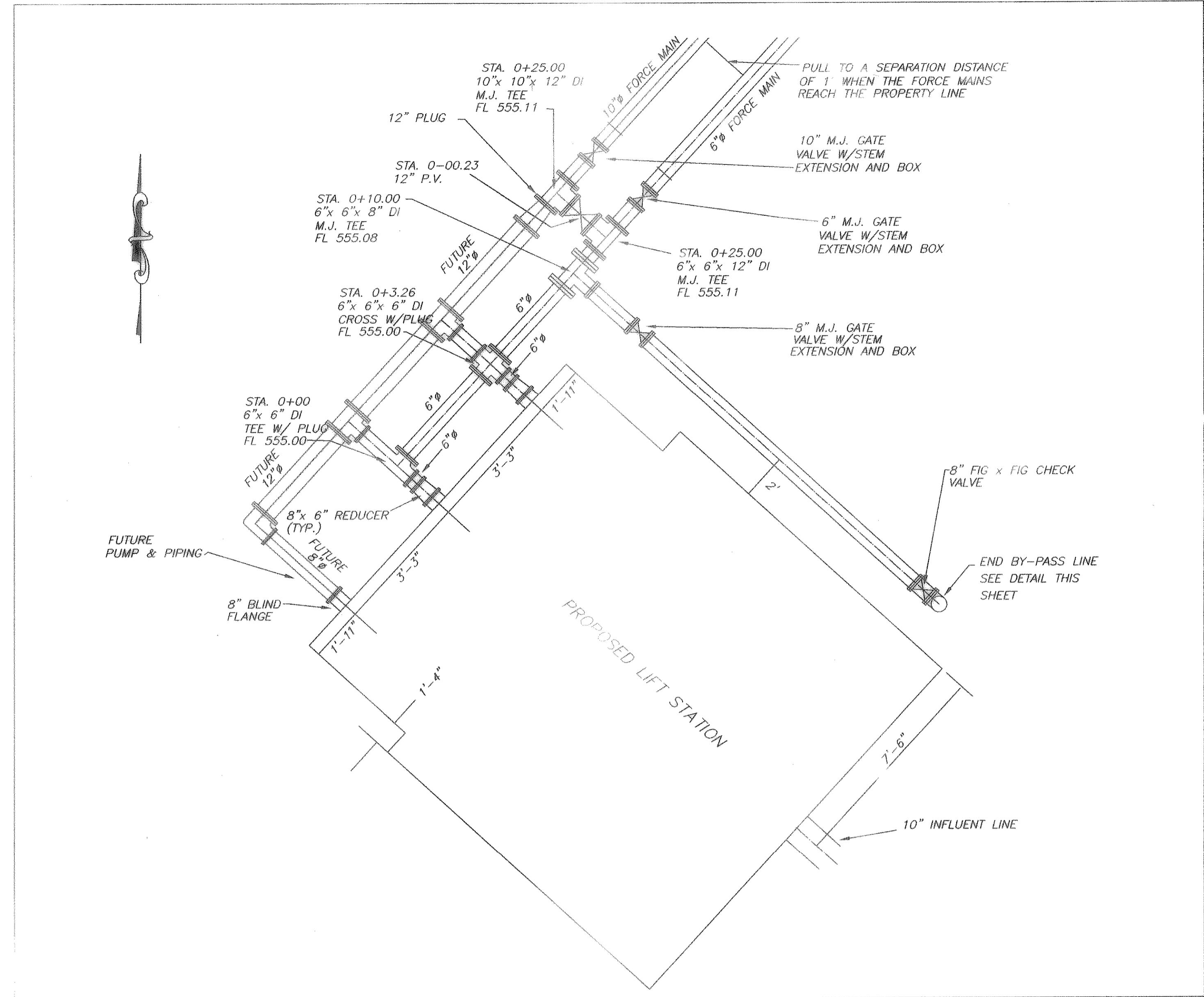
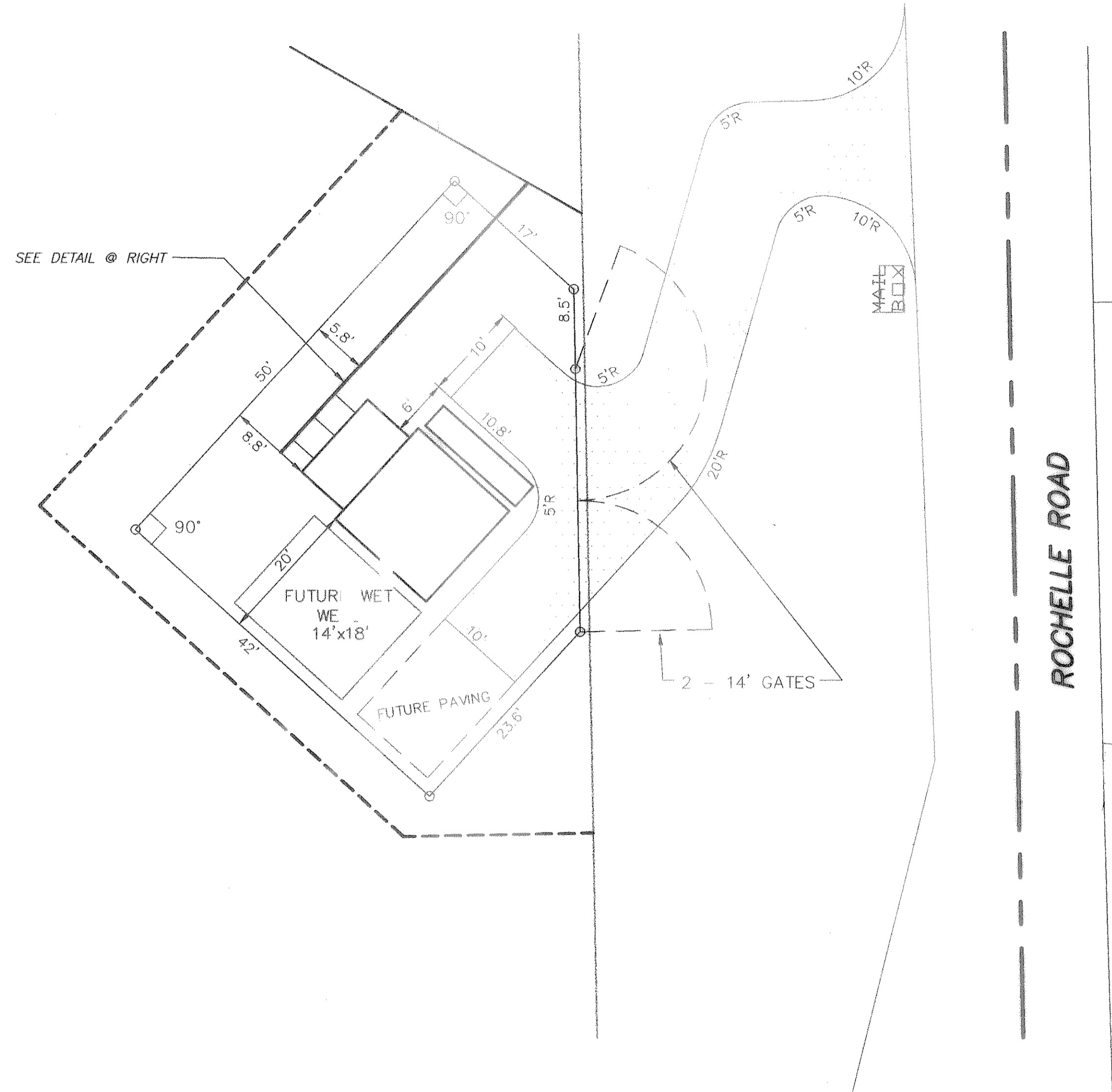
SECTION A-A
 N.T.S.



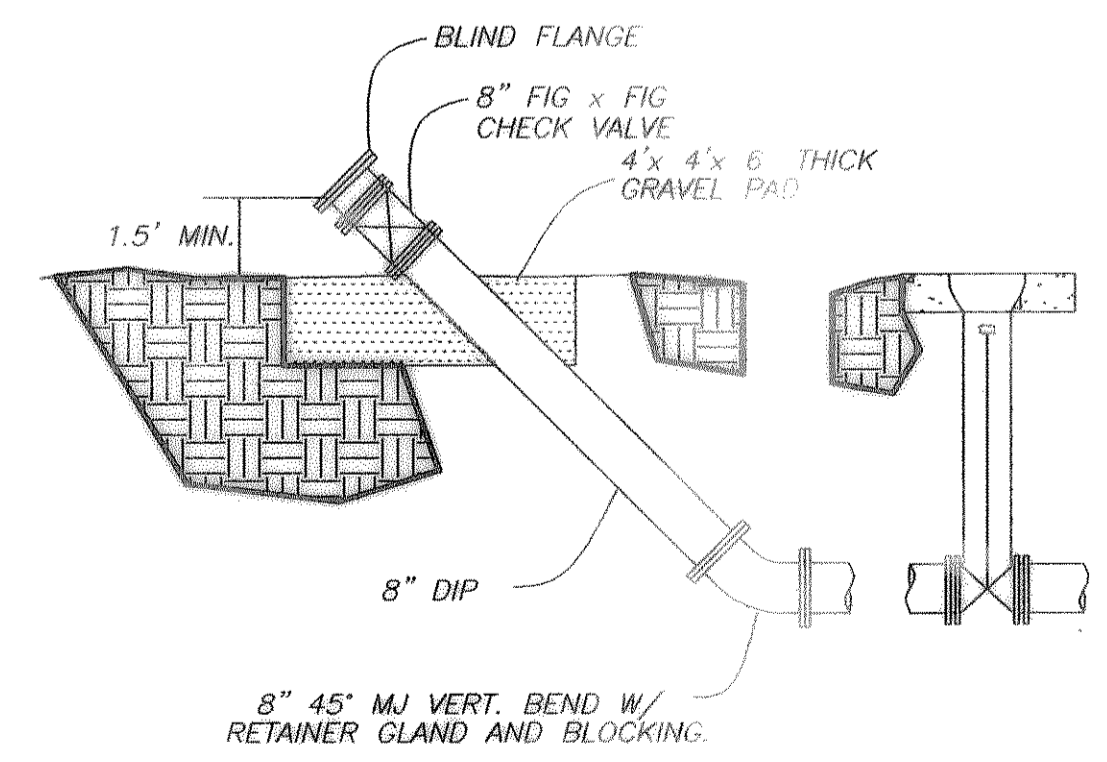
LIFT STATION SECTION A-A
 1/2" = 1'-0"

NOTE: INSTALL APPROX. 1,000 SQ. FT. OF 8" FLEX BASE MATERIAL FOR THE DRIVEWAY AND PARKING AREA (HATCHED). THE REMAINDER OF THE FENCED IN AREA SHALL BE COVERED WITH GRAVEL AT THE REQUEST OF THE CITY.

NOTE: THE APPROACH SHALL BE ALIGNED WHERE THE CONSTRUCTION ENTRANCE TO THE LIFT STATION WAS CONSTRUCTED. NO ADDITIONAL TREES SHALL BE TAKEN OUT TO INSTALL THE APPROACH.

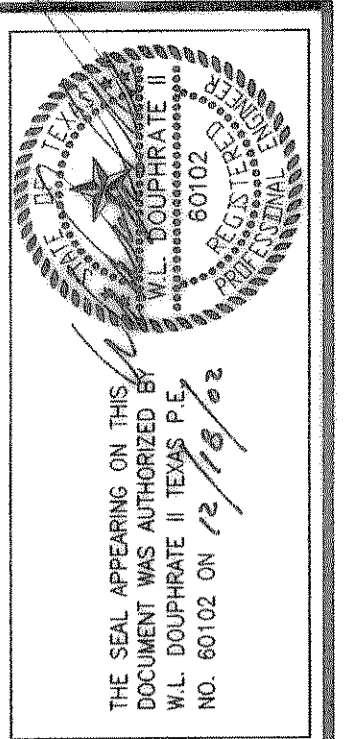


DISCHARGE PIPING LAYOUT
N.T.S.



EMERGENCY BY-PASS DETAIL
N.T.S.

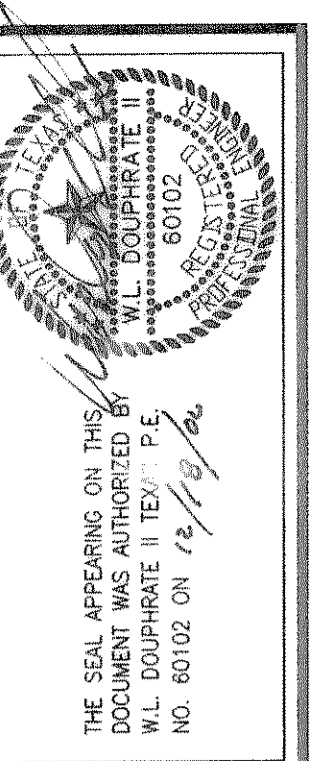
REVISED TO CONFORM TO CONSTRUCTION RECORDS.
DATE: 12/18/01



DOUPHRATE & ASSOCIATES, INC.
ENGINEERING - PROJECT MANAGEMENT - SURVEYING
2235 RIDGE RD. # 200 ROCKWALL, TEXAS 75087
PHONE: (972)771-9004 FAX: (972)771-9006

SITE & YARD PIPING PLAN
LIFT STATION
TIMBER CREEK ESTATES
CITY OF ROCKWALL, ROCKWALL COUNTY, TEXAS

REVISION	
CHECKED	W.L.D.
DRAWN	K.E.B.
DATE	8/1/00
PROJECT	9913LS1b
	63 OF

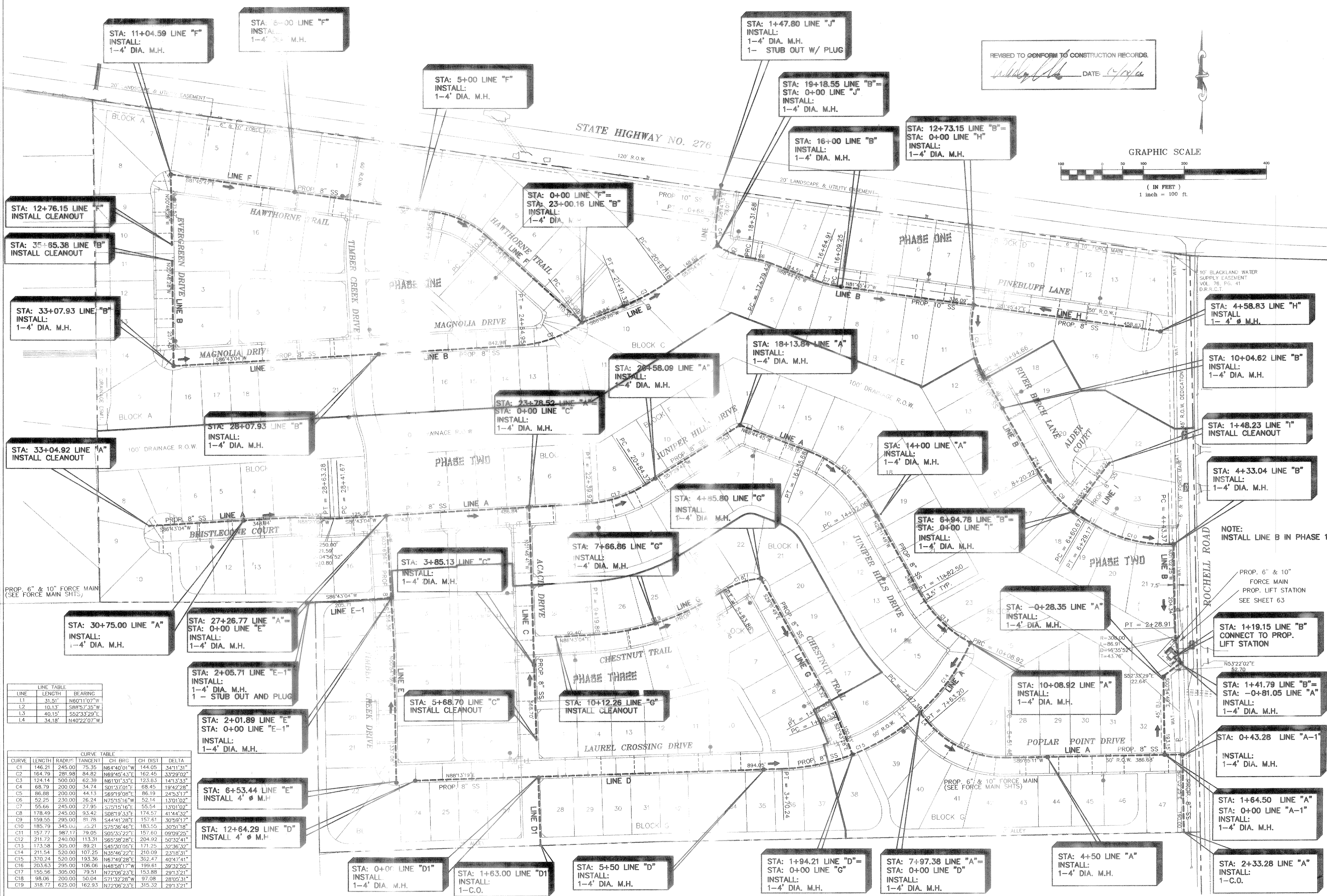
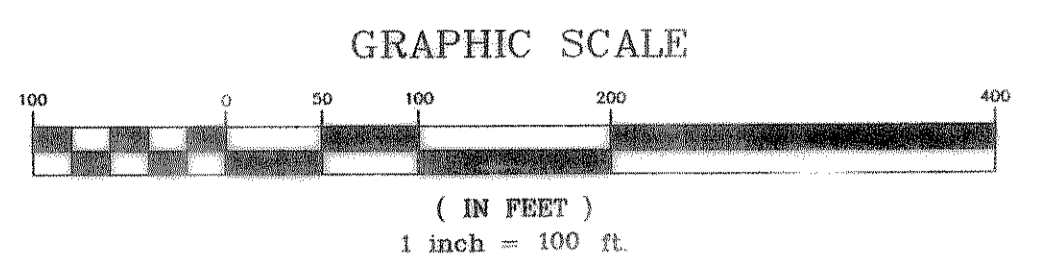


DOUPHRADE & ASSOCIATES, INC.
 ENGINEERING - PROJECT MANAGEMENT - SURVEYING
 2235 RIDGE RD., # 200 ROCKWALL, TEXAS 75087
 PHONE: (972) 771-8004 FAX: (972) 771-9005

SANITARY SEWER PLAN
 TIMBER CREEK ADDITION
 CITY OF ROCKWALL
 COUNTY OF ROCKWALL

REVISION
 W.L.D.
 CHECKED
 K.E.B.
 DRAWN
 1/18/01
 DATE
 9913SS
 PROJECT
 47
 OF

REVISED TO CONFORM TO CONSTRUCTION RECORDS.
 DATE: 1/14/01



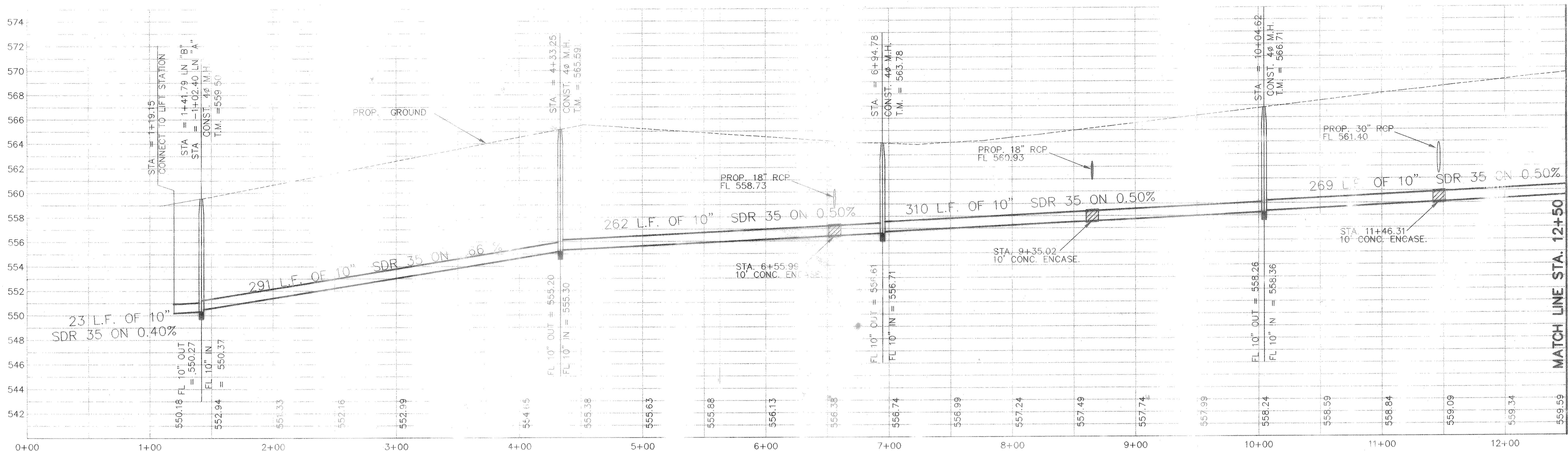
LINE TABLE

LINE	LENGTH	BEARING
L1	31.51'	N60°11'02"W
L2	10.13'	S88°57'35"W
L3	40.15'	S52°33'29"E
L4	34.18'	N40°22'07"W

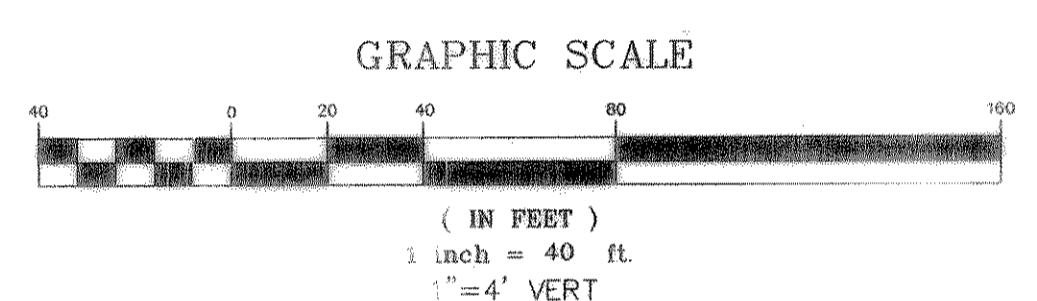
CURVE TABLE

CURVE	LENGTH	RADIUS	TANGENT	CH BRG	CH DIST	DELTA
C1	146.21	245.00	75.35	N64°40'01"W	144.05	34°11'31"
C2	164.79	281.98	84.82	N69°45'43"E	162.45	33°29'02"
C3	124.14	500.00	62.39	N61°01'33"E	123.83	14°13'33"
C4	68.79	200.00	34.74	S01°37'01"E	68.45	19°42'28"
C5	86.88	200.00	44.13	S85°38'28"E	86.19	24°32'41"
C6	52.25	230.00	26.24	N75°15'16"W	52.14	13°01'02"
C7	55.66	245.00	27.95	S75°15'16"E	55.54	13°01'02"
C8	178.49	245.00	93.42	S08°19'33"E	174.57	41°44'32"
C9	159.55	295.00	81.78	S44°41'28"E	157.61	38°59'12"
C10	185.79	345.00	95.21	S75°36'46"E	183.95	30°51'18"
C11	157.77	387.17	79.05	S05°35'22"E	157.80	09°09'25"
C12	211.72	240.00	115.31	S85°38'28"E	204.92	24°32'41"
C13	173.58	305.00	89.21	S45°30'05"E	171.25	32°36'32"
C14	211.54	520.00	107.25	N35°46'22"E	210.09	23°18'31"
C15	370.24	520.00	193.36	N67°49'28"E	362.47	40°47'41"
C16	203.63	295.00	106.06	N48°58'17"W	199.61	39°32'55"
C17	195.56	305.00	79.51	N72°06'23"E	193.88	29°13'21"
C18	98.06	200.00	50.04	S71°32'28"W	97.08	28°55'31"
C19	318.77	625.00	162.93	N72°06'23"E	315.32	29°13'21"

SANITARY SEWER LINE B

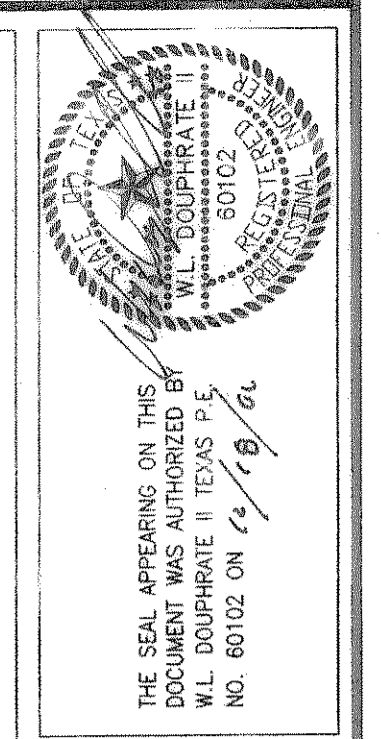
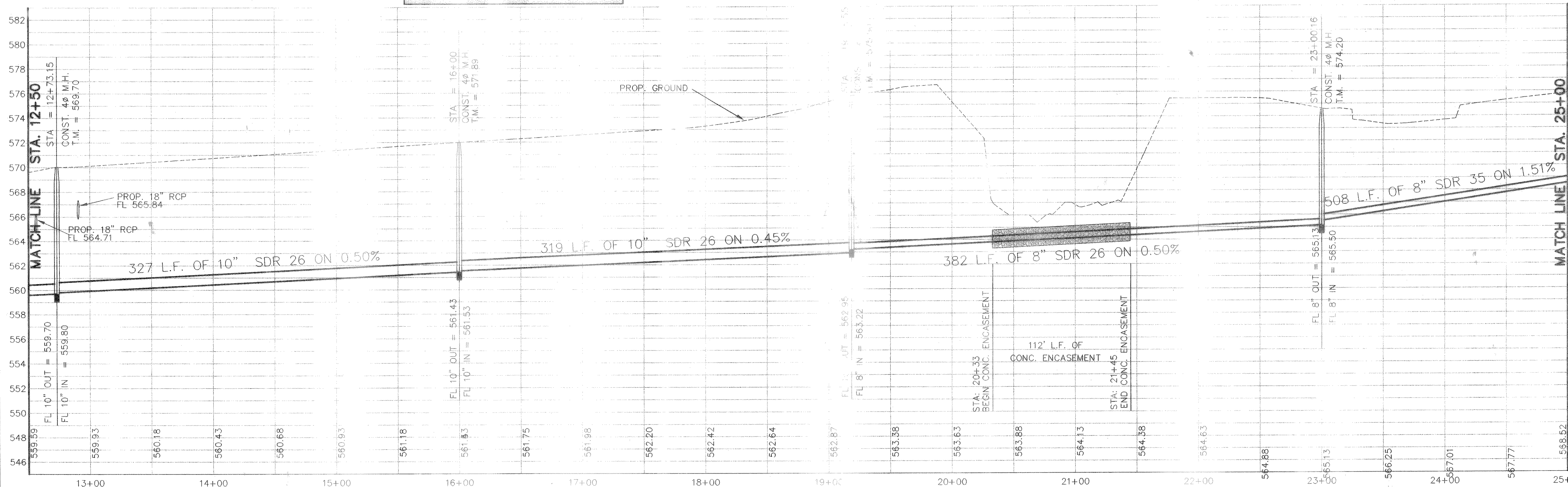


BENCHMARK:
 T.C. CENTERLINE OF INLET ON WEST SIDE
 OF SILVER VIEW LANE BETWEEN LOTS 4
 & 5, BLOCK B, OF STERLING FARMS
 ADDITION
 ELEV: 599.65



REVISED TO CONFORM TO CONSTRUCTION RECORDS.
 DATE: 12/18/01

SANITARY SEWER LINE B

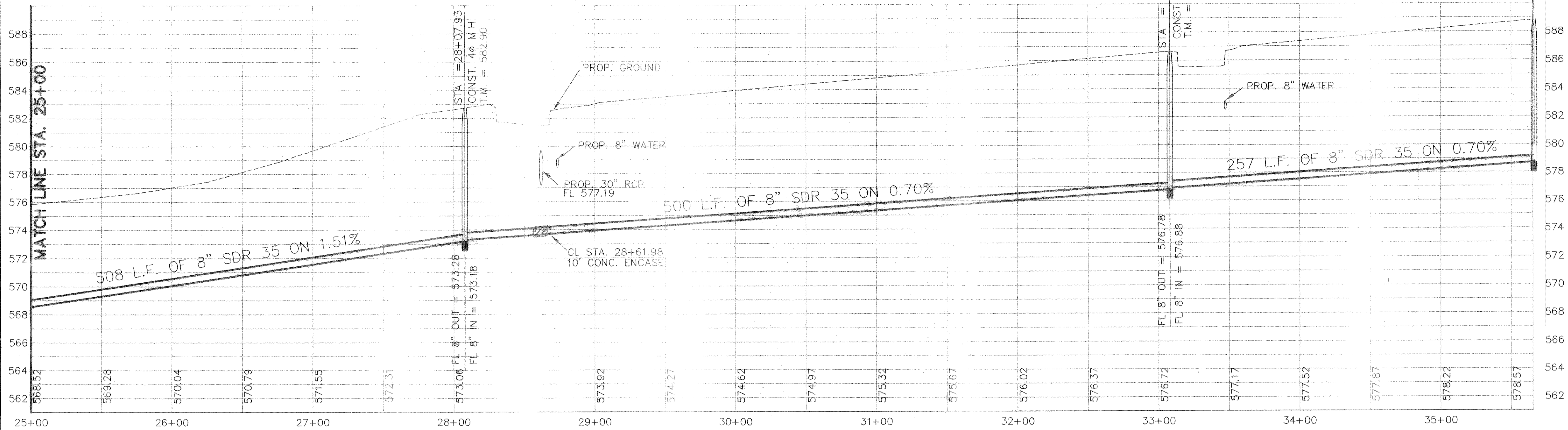


DOUPHRATE & ASSOCIATES, INC.
 ENGINEERING - PROJECT MANAGEMENT - SURVEYING
 2235 RIDGE RD., # 200 ROCKWALL, TEXAS 75087
 PHONE: (972)771-9004 FAX: (972)771-9005

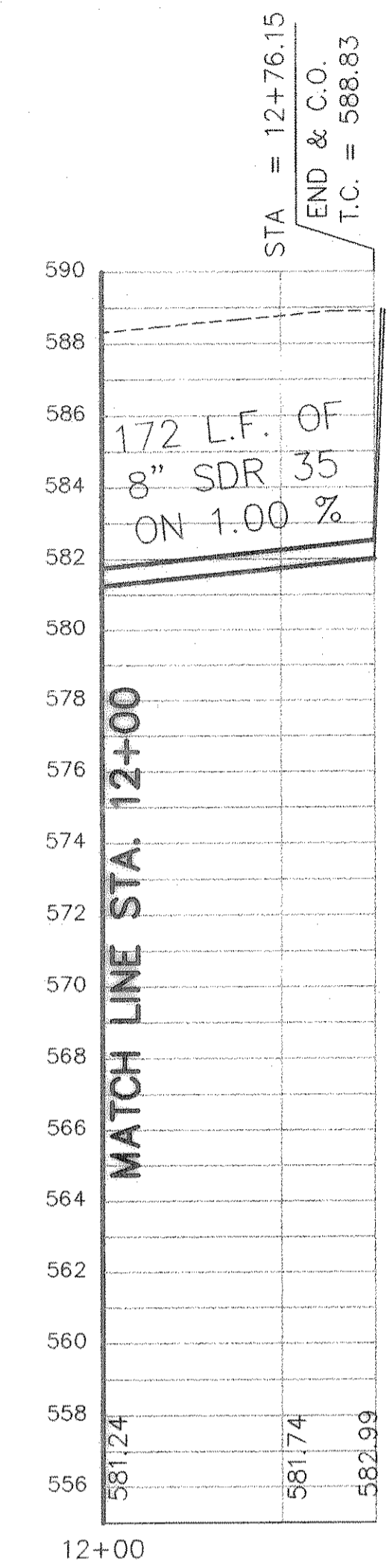
SANITARY SEWER PROFILE
 LINE "B" STA: 1+19.15 TO 25+00
 TIMBER CREEK ESTATES
 CITY OF ROCKWALL, ROCKWALL COUNTY, TEXAS

REVISION	
CHECKED	W.L.D.
DRAWN	K.E.B.
DATE	1/30/01
PROJECT	9913SS1
	48 OF

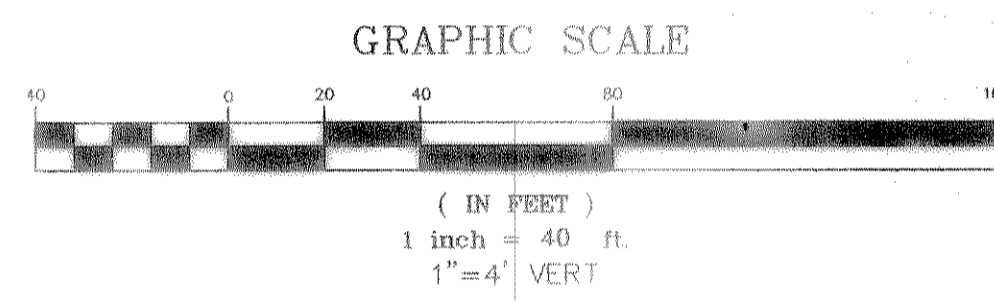
SANITARY SEWER LINE B



SANITARY SEWER LINE F

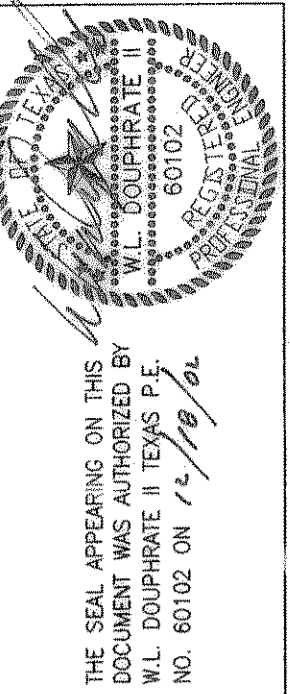
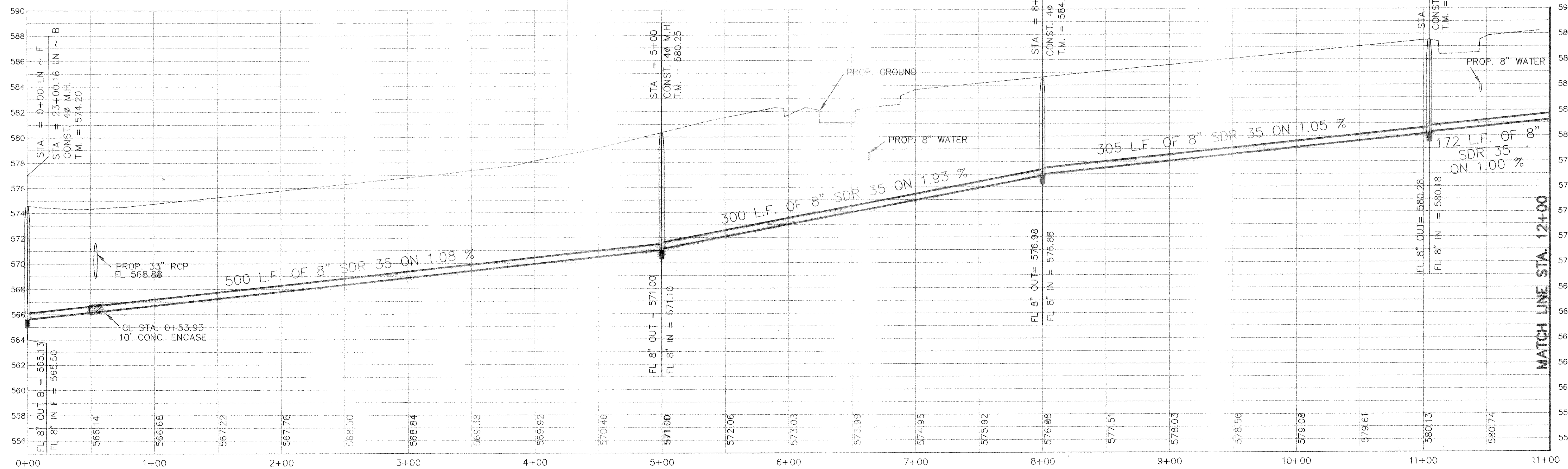


BENCHMARK:
 T.C. CENTERLINE OF INLET ON WEST SIDE
 OF SILVER VIEW LANE BETWEEN LOTS 4
 & 5, BLOCK B, OF STERLING FARMS
 ADDITION
 ELEV: 599.65



REVISED TO CONFORM TO CONSTRUCTION RECORDS.
WLD DATE: 12/18/01

SANITARY SEWER LINE F

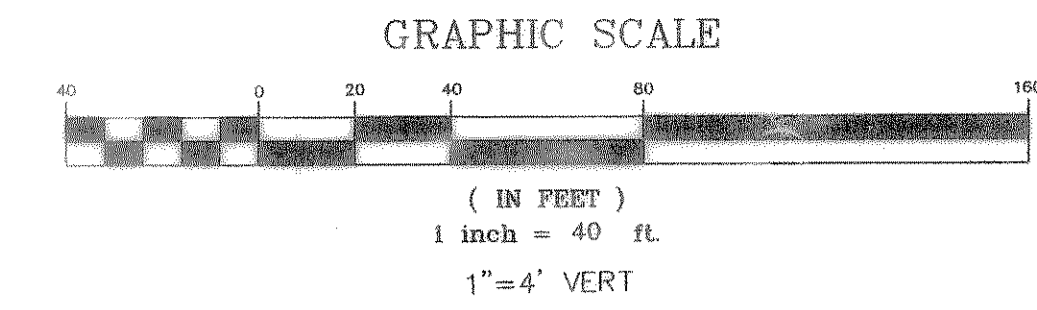
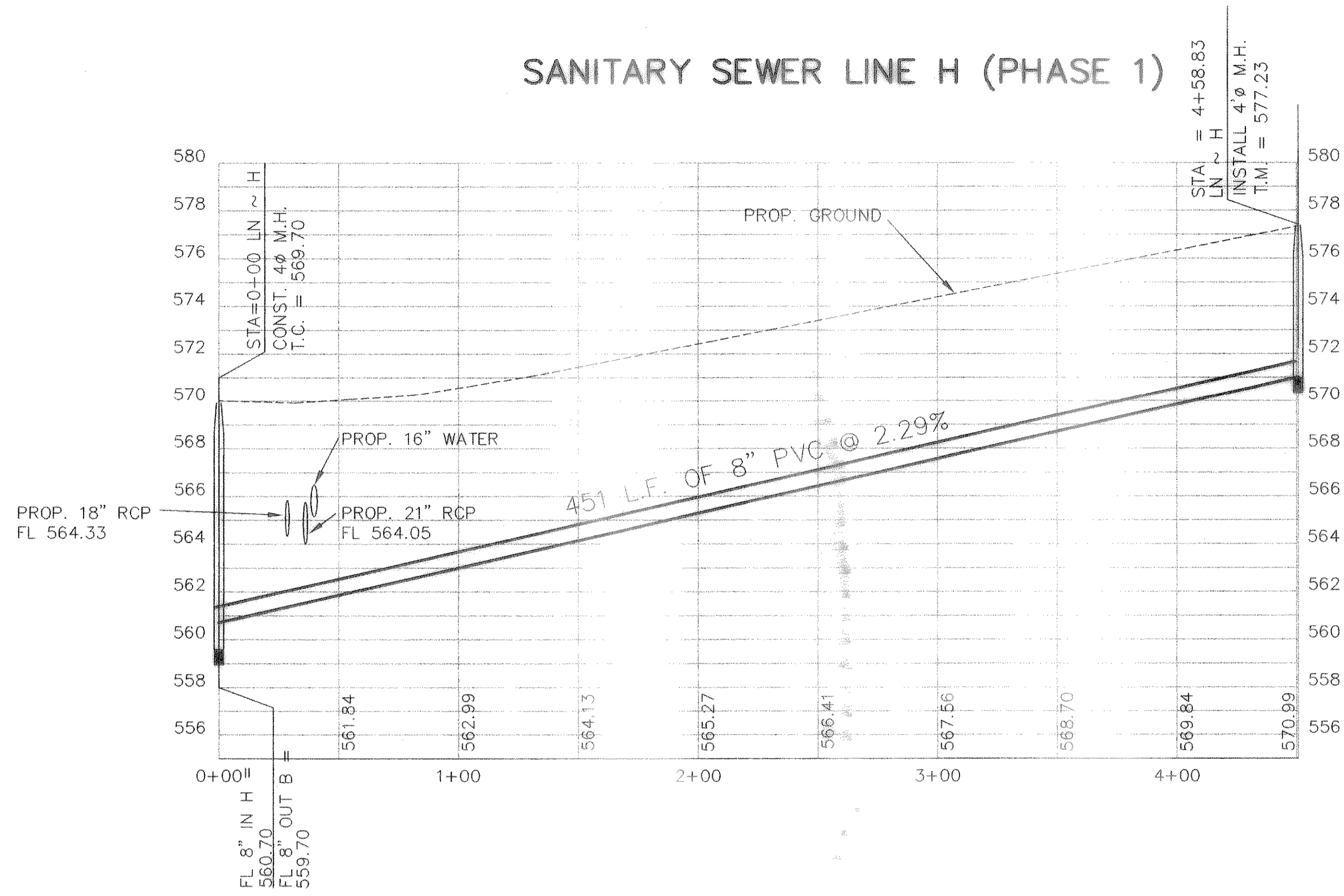


DOUPHRADE & ASSOCIATES, INC.
 ENGINEERING - PROJECT MANAGEMENT - SURVEYING
 2235 RIDGE RD., # 200 ROCKWALL, TEXAS 75087
 PHONE: (972)771-9004 FAX: (972)771-9005

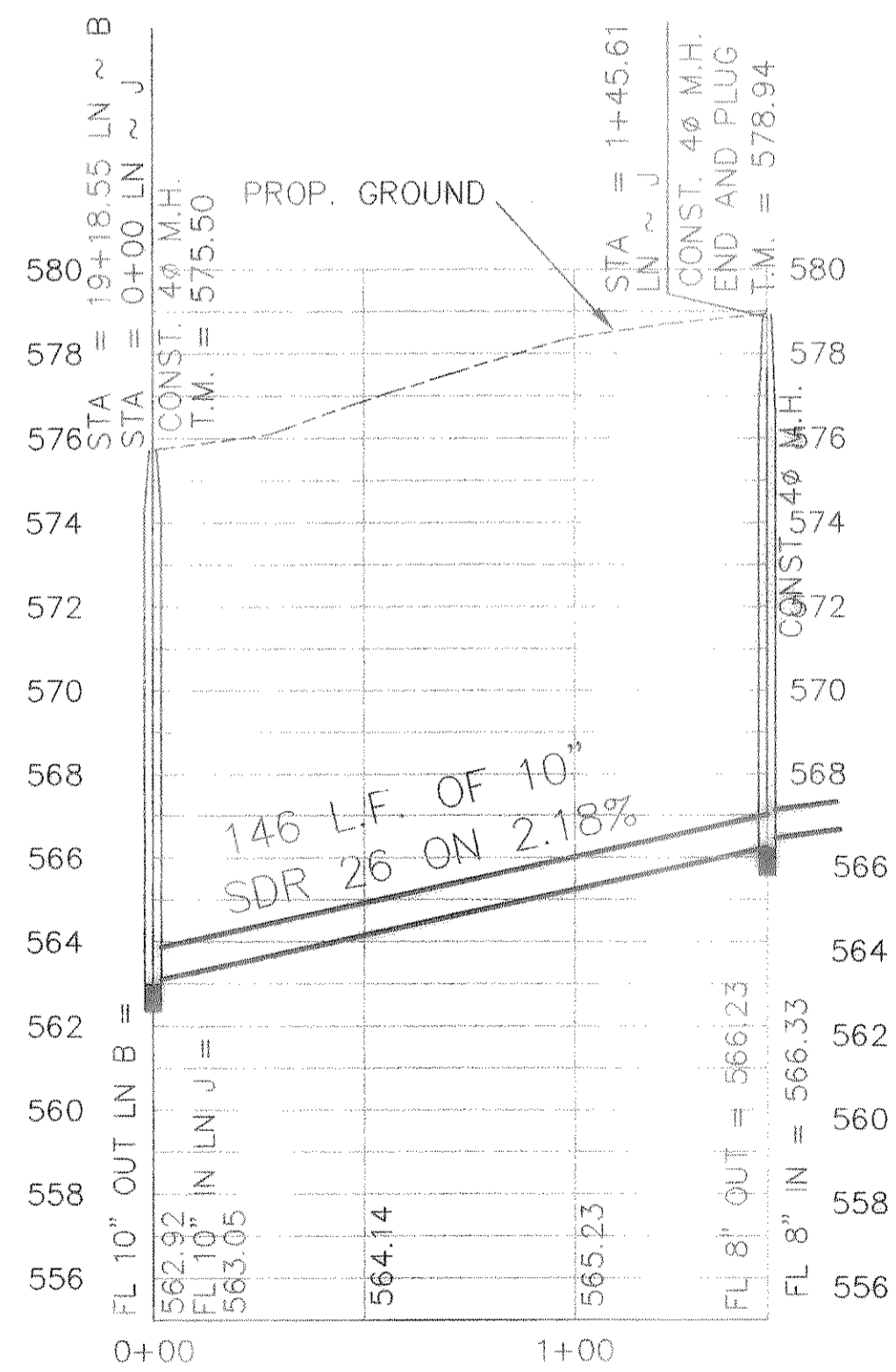
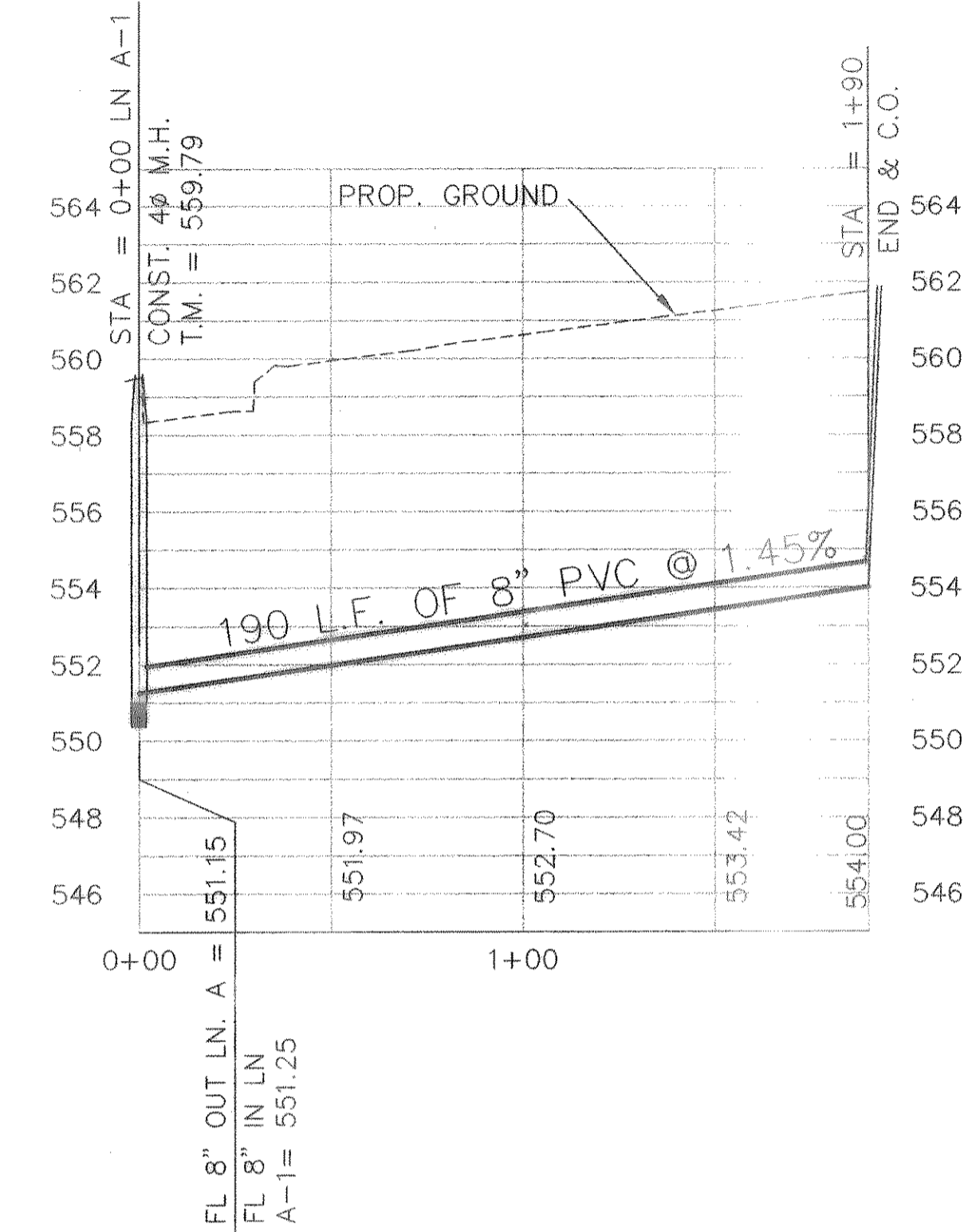
SANITARY SEWER PROFILES
 LINE "B" STA: 25+00 TO 35+65.38 AND LINE "F"
 TIMBER CREEK ESTATES
 CITY OF ROCKWALL, ROCKWALL COUNTY, TEXAS

REVISION	
CHECKED	WLD.
DRAWN	KEB.
DATE	1/31/01
PROJECT	9913582
	49 OF

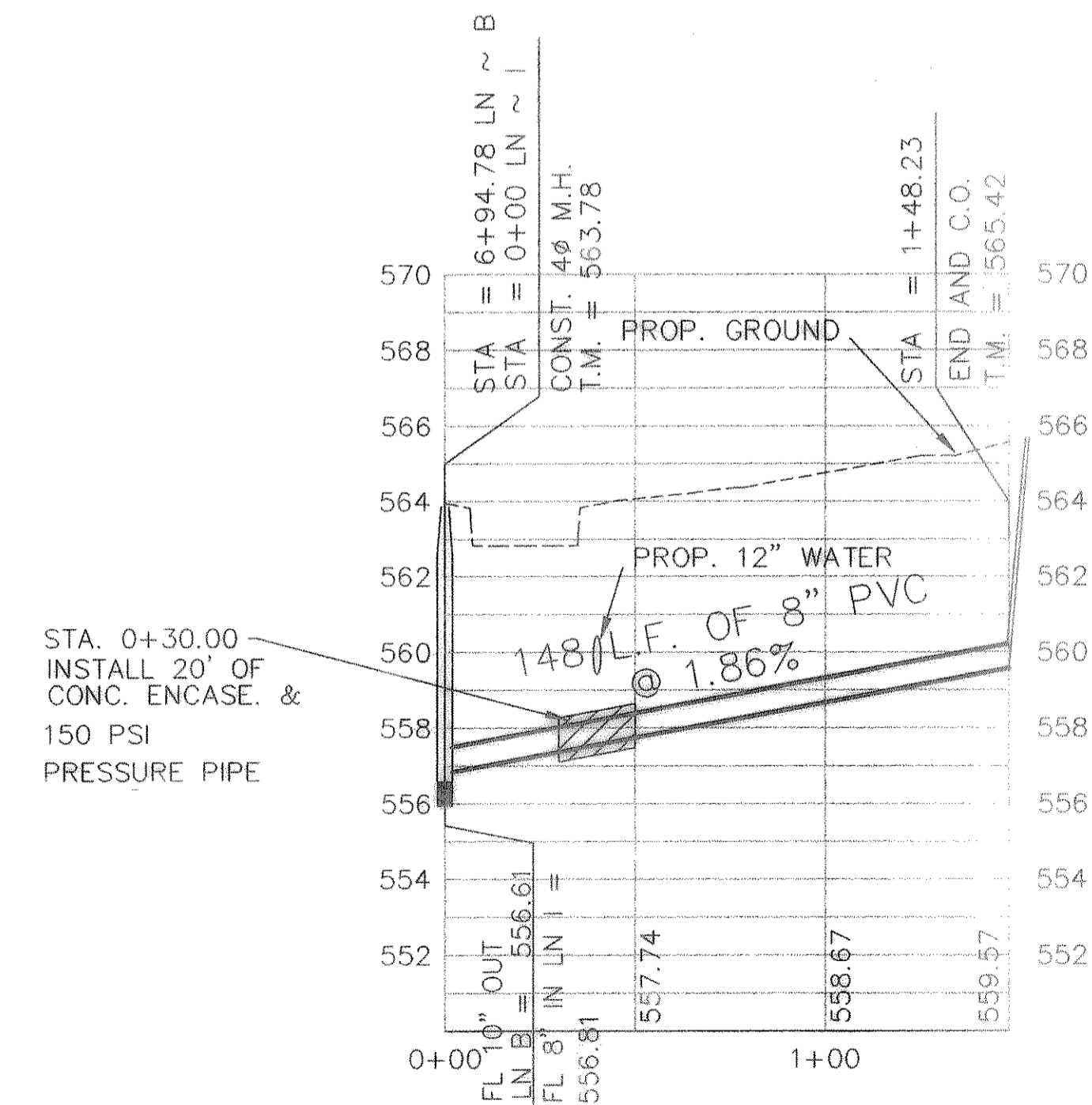
SANITARY SEWER LINE H (PHASE 1)



SANITARY SEWER LINE A-1 (PHASE 3)



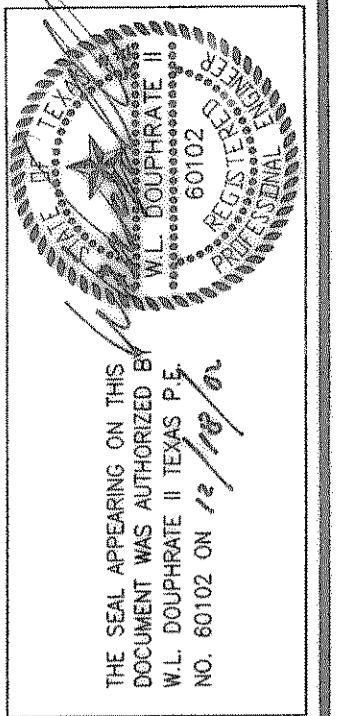
SANITARY SEWER LINE J (PHASE 1)



SANITARY SEWER LINE I (PHASE 2)

BENCHMARK:
T.C. CENTERLINE OF INLET ON WEST SIDE
OF SILVER VIEW LANE BETWEEN LOTS 4
& 5, BLOCK B, OF STERLING FARMS
ADDITION
ELEV: 599.65

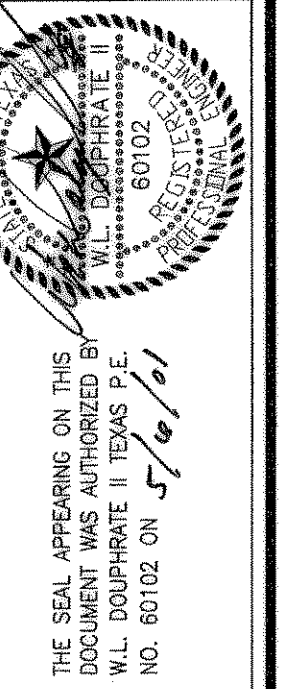
REVISED TO CONFORM TO CONSTRUCTION RECORDS.
[Signature] DATE: 12/18/02



DOUPHRATE & ASSOCIATES, INC.
ENGINEERING - PROJECT MANAGEMENT - SURVEYING
2235 RIDGE RD., # 200 ROCKWALL, TEXAS 75087
PHONE: (972)771-9004 FAX: (972)771-9005

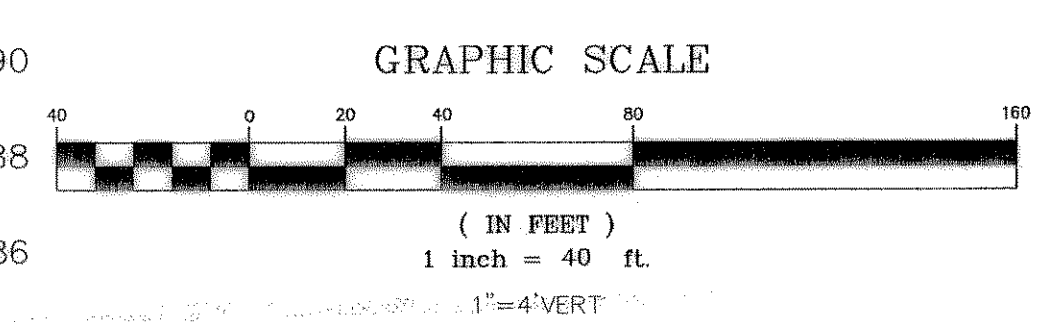
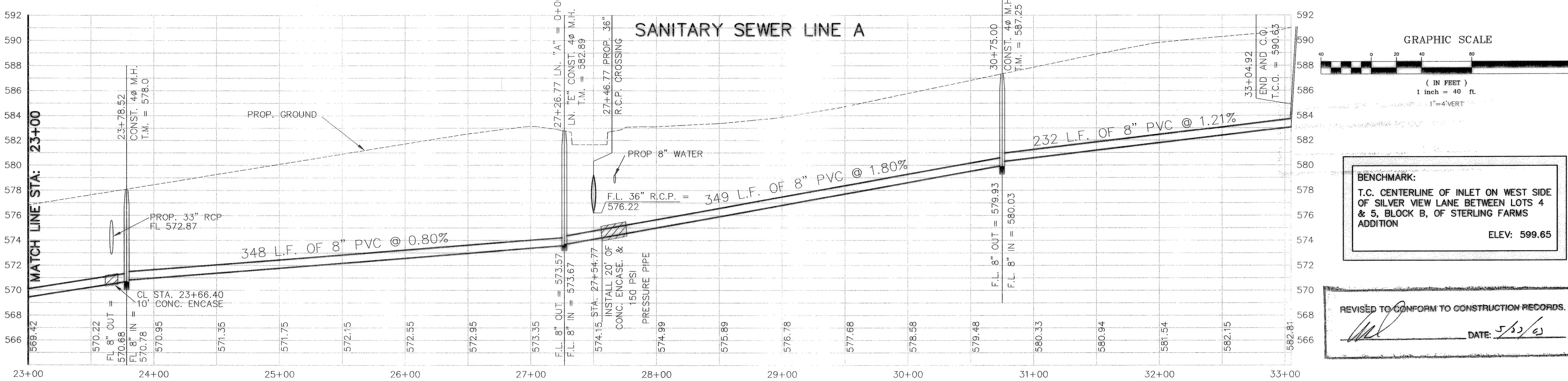
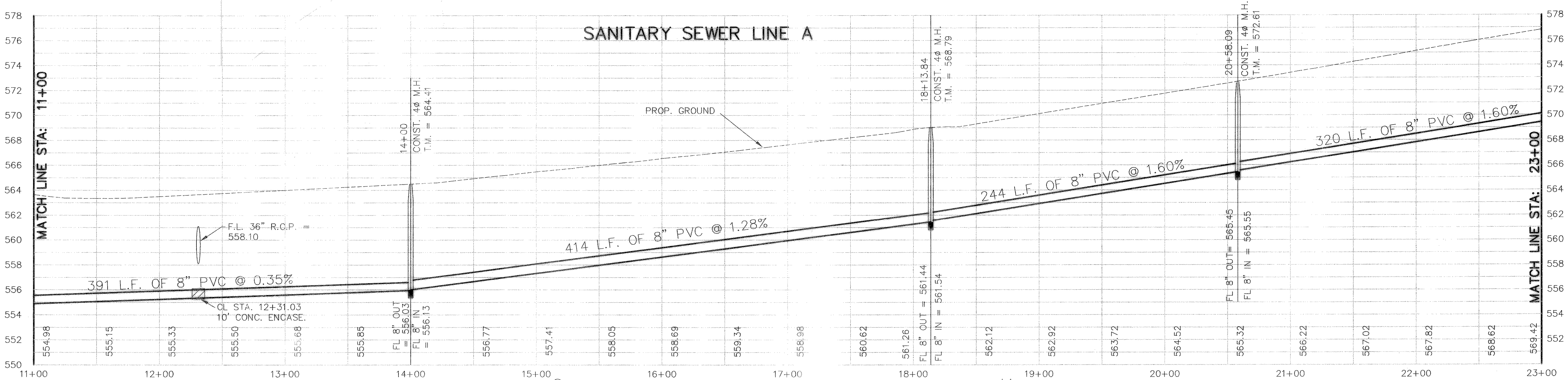
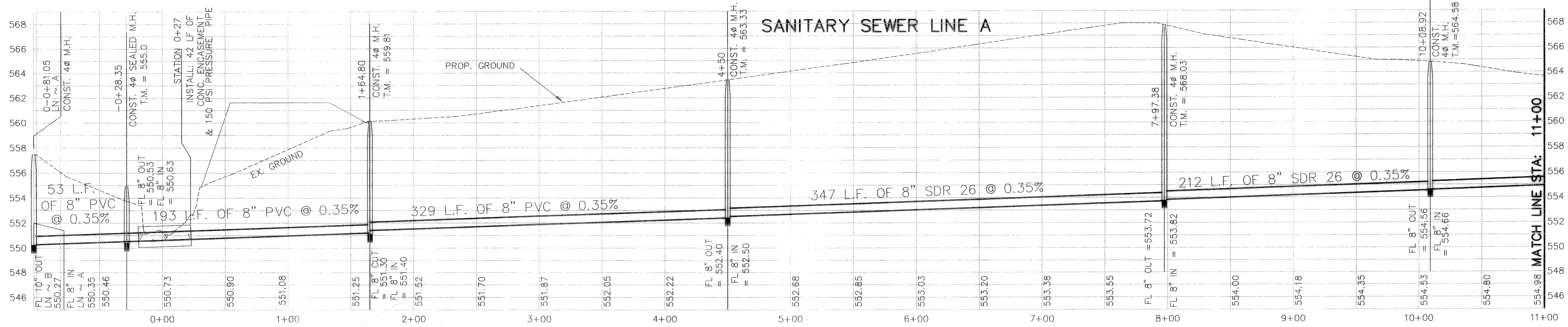
SANITARY SEWER PROFILES
LINES H, I, A-1 & J
TIMBER CREEK ESTATES
CITY OF ROCKWALL, ROCKWALL COUNTY, TEXAS

REVISION	
CHECKED	W.L.D.
DRAWN	K.E.B.
DATE	7/25/00
PROJECT	9913583
	50 OF



DOUPHRADE & ASSOCIATES, INC.
 ENGINEERING • PROJECT MANAGEMENT • SURVEYING
 2235 RIDGE RD. # 200 ROCKWALL, TEXAS 75087
 PHONE: (972)771-9004 FAX: (972)771-9006

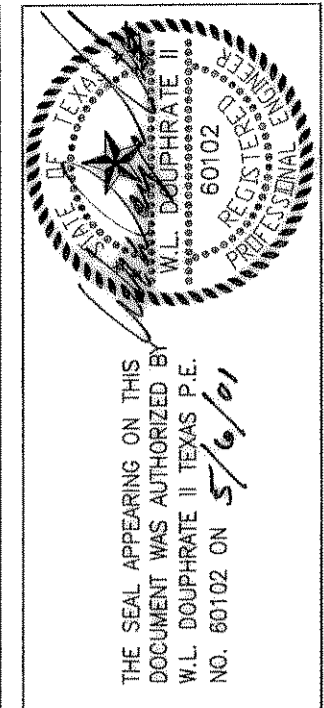
SANITARY SEWER PROFILE
 LINE A
 TIMBER CREEK ESTATES
 CITY OF ROCKWALL, ROCKWALL COUNTY, TEXAS



BENCHMARK:
 T.C. CENTERLINE OF INLET ON WEST SIDE
 OF SILVER VIEW LANE BETWEEN LOTS 4
 & 5, BLOCK B, OF STERLING FARMS
 ADDITION
 ELEV: 599.65

REVISED TO CONFORM TO CONSTRUCTION RECORDS.
 DATE: 5/20/03

REVISION	WLD.
CHECKED	KEB.
DRAWN	
DATE	1/31/01
PROJECT	9913SS4
	51 OF

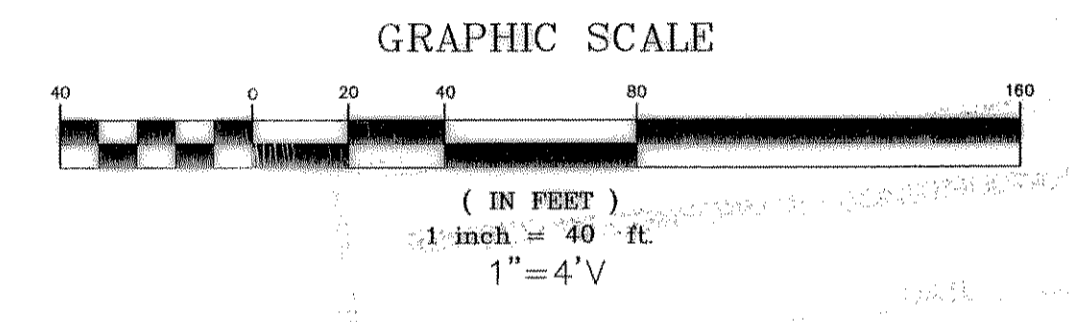
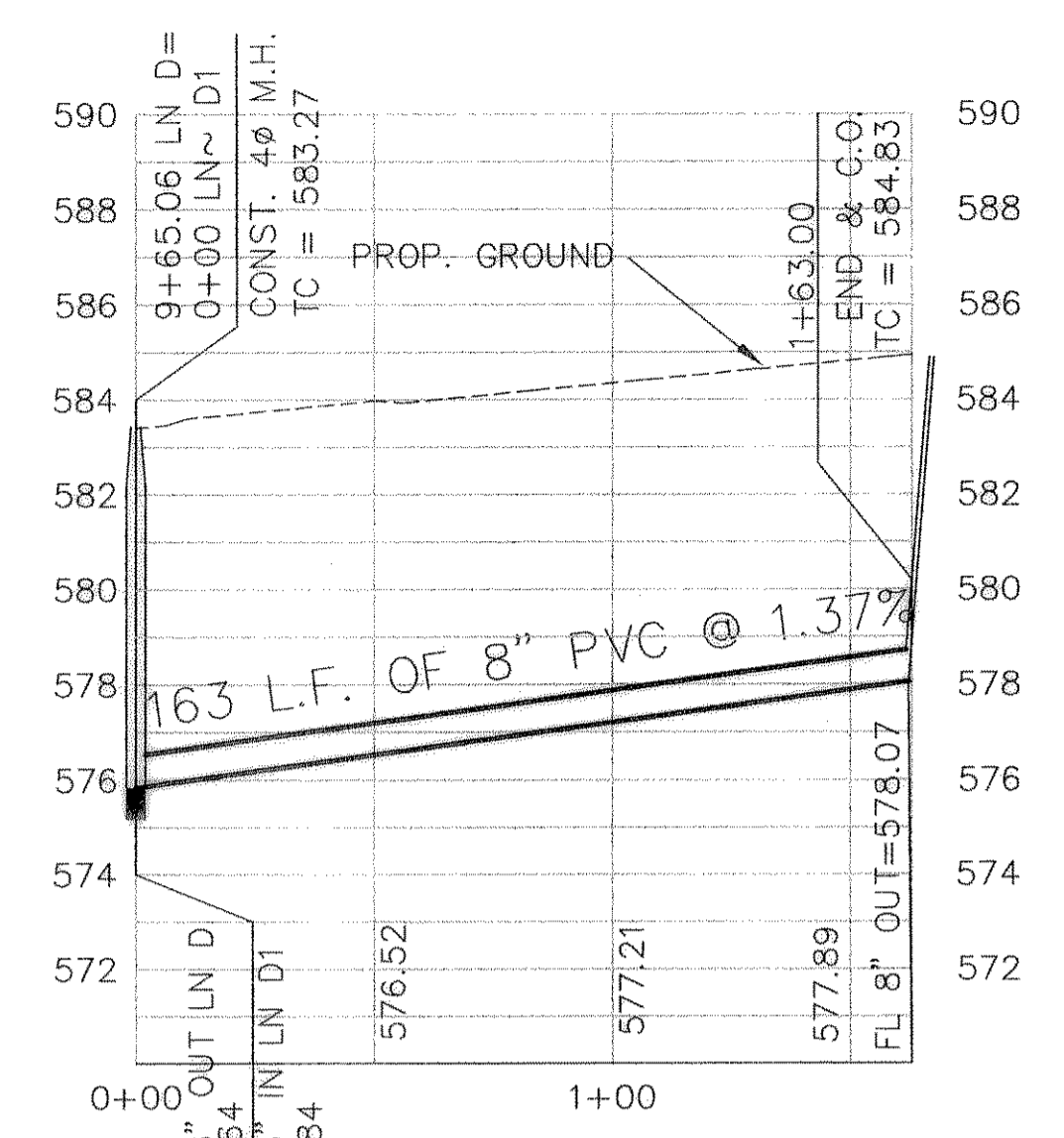


DOUPHRADE & ASSOCIATES, INC.
 ENGINEERING - PROJECT MANAGEMENT - SURVEYING
 2235 RIDGE RD., # 200 ROCKWALL, TEXAS 75087
 PHONE: (972)771-9004 FAX: (972)771-9005

SANITARY SEWER PROFILES
LINE C, D & D1
TIMBER CREEK ESTATES
 CITY OF ROCKWALL, ROCKWALL COUNTY, TEXAS

REVISION
W.L.D.
CHECKED
K.E.B.
DRAWN
7/31/00
DATE
9913SS5
PROJECT

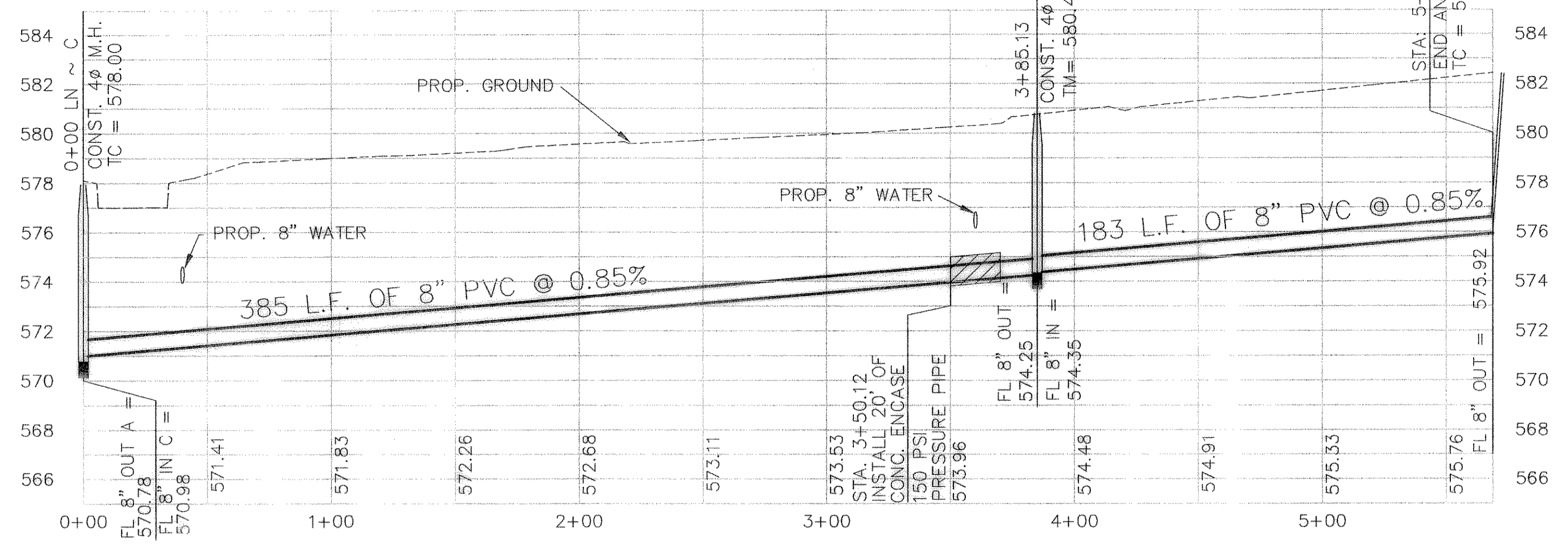
SANITARY SEWER LINE D ~ 1



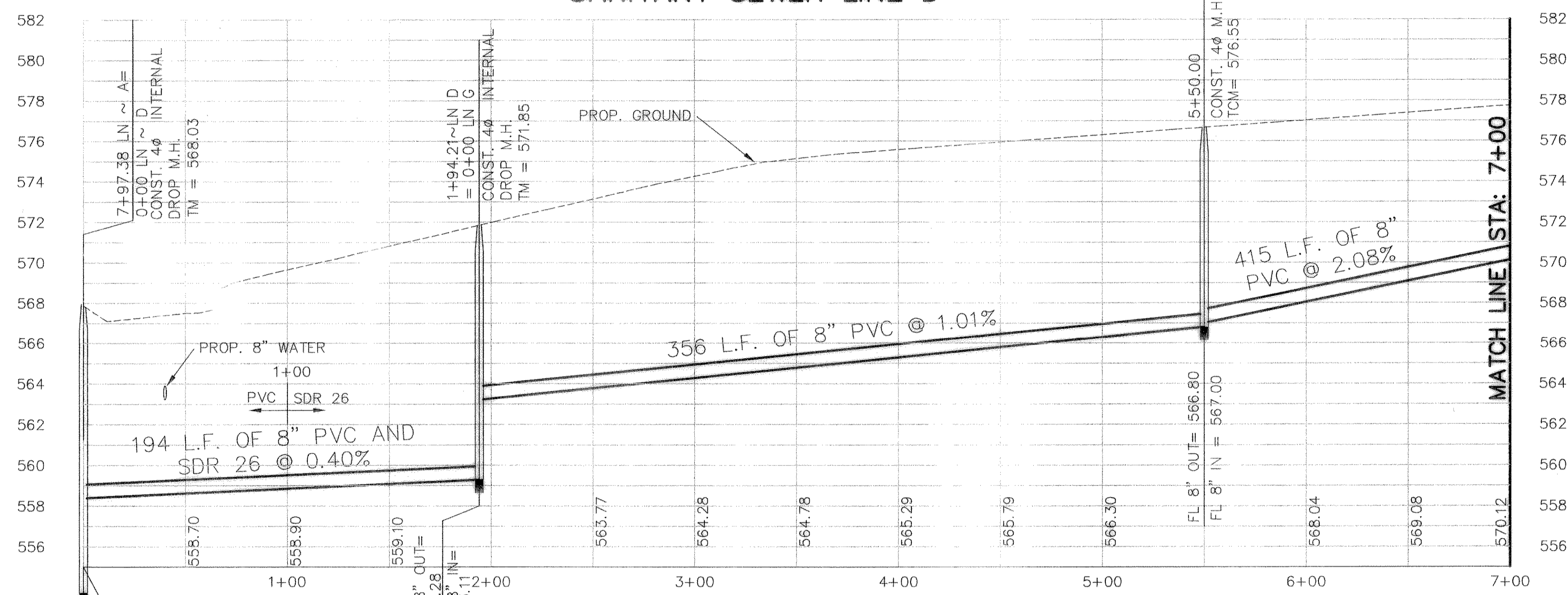
BENCHMARK:
 T.C. CENTERLINE OF INLET ON WEST SIDE
 OF SILVER VIEW LANE BETWEEN LOTS 4
 & 5, BLOCK B, OF STERLING FARMS
 ADDITION
 ELEV. 599.65

REVISED TO CONFORM TO CONSTRUCTION RECORDS
[Signature] DATE 5/23/02

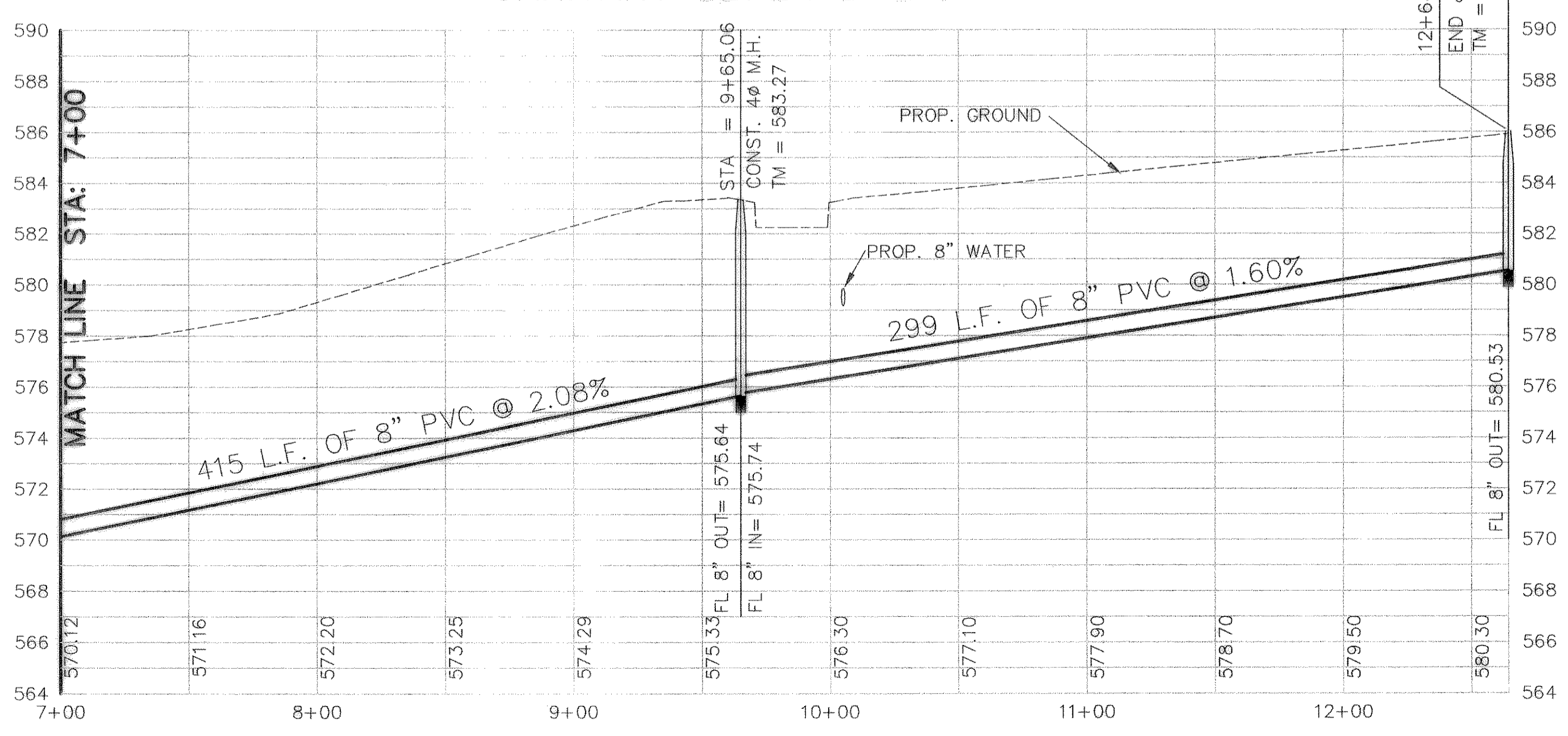
SANITARY SEWER LINE C



SANITARY SEWER LINE D

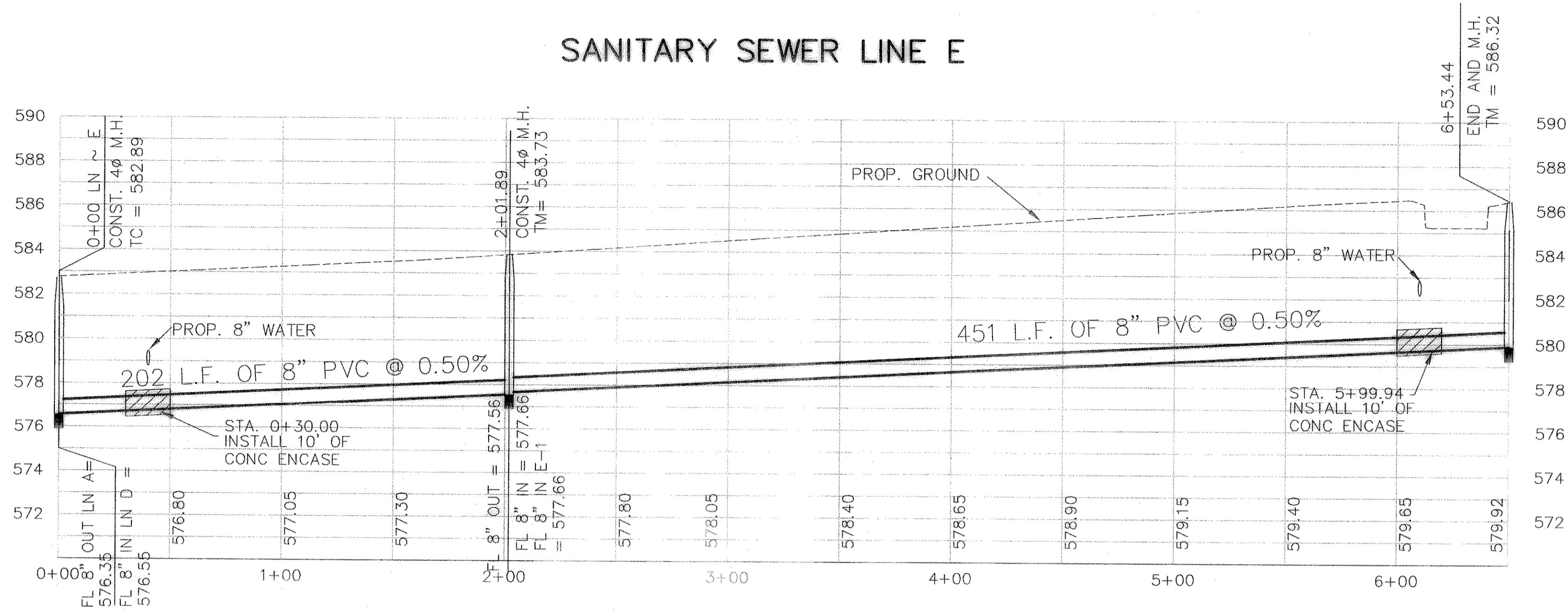


SANITARY SEWER LINE D

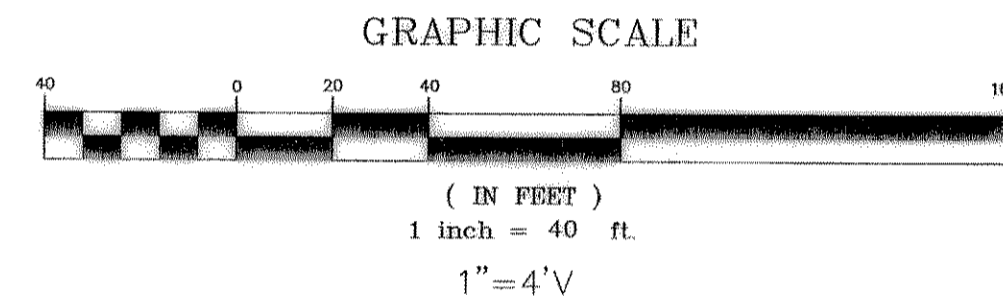
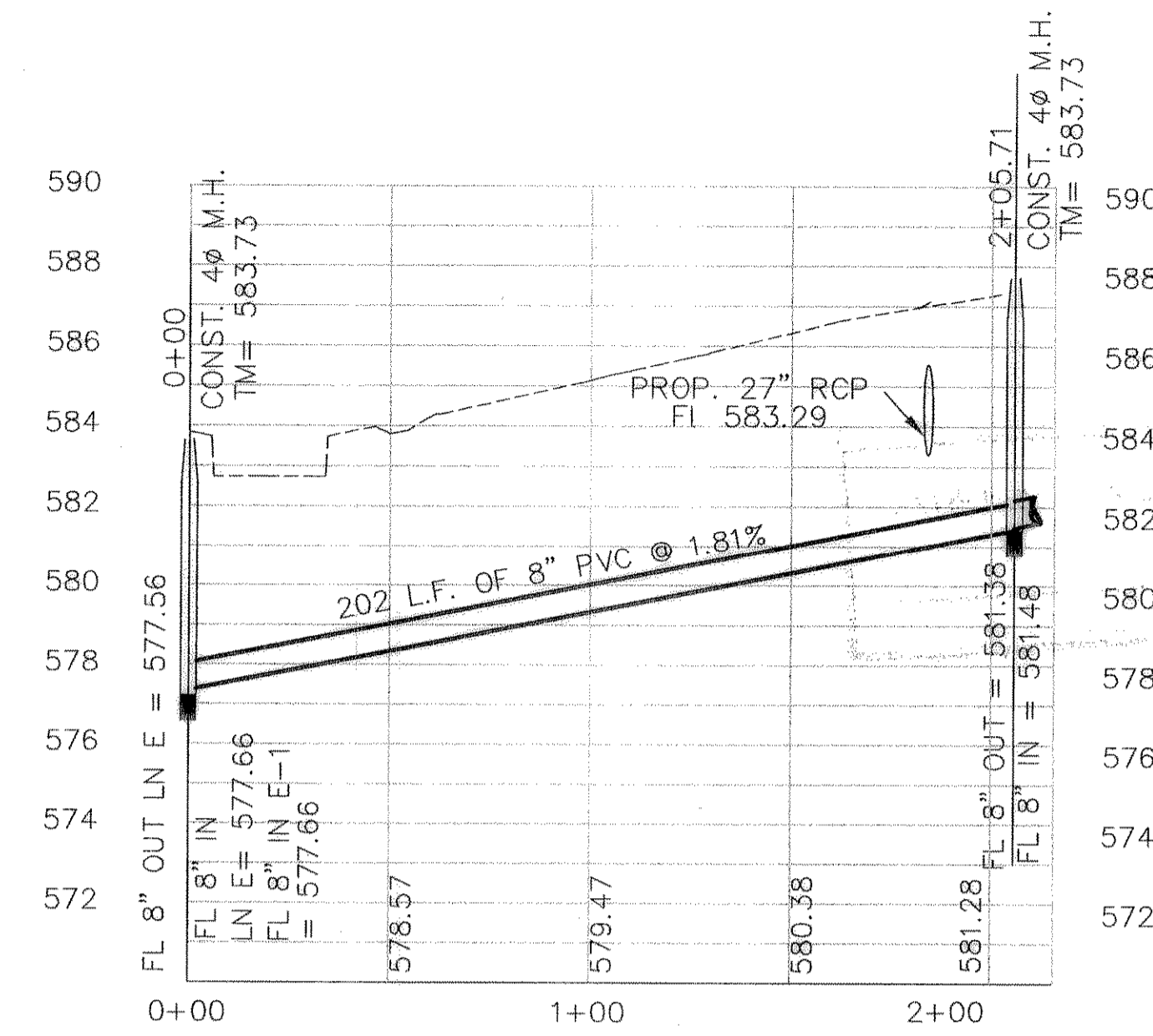


REVISED TO CONFORM TO CONSTRUCTION RECORDS
[Signature] DATE 5/23/02

SANITARY SEWER LINE E



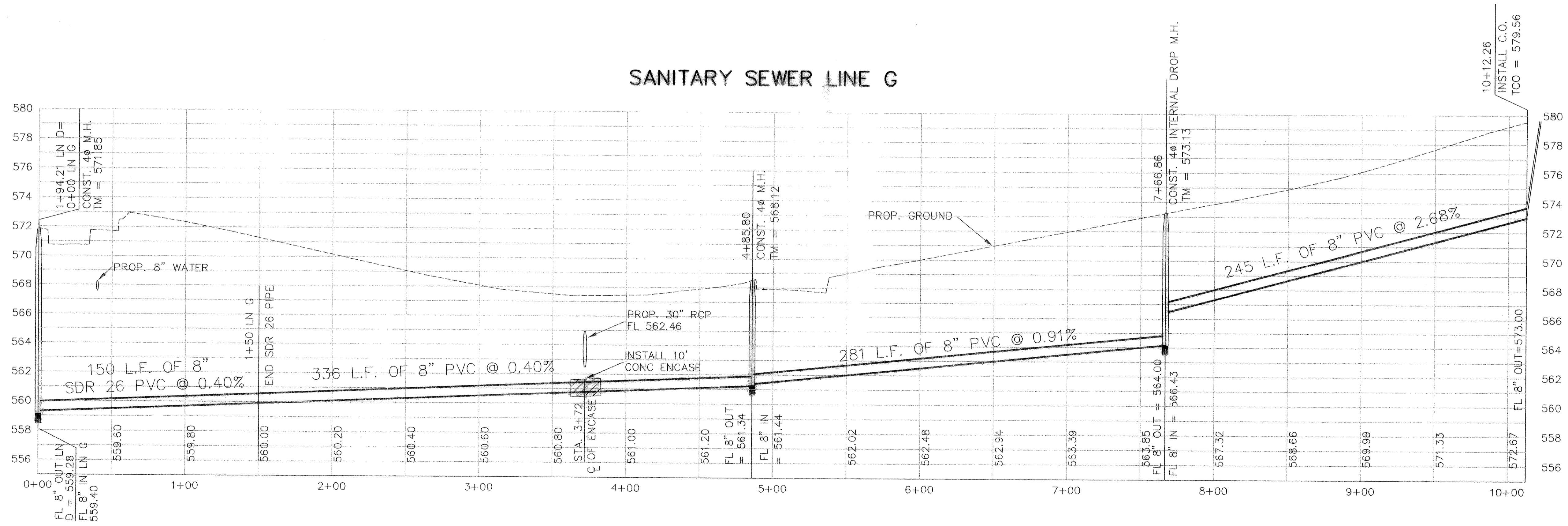
SANITARY SEWER LINE E-1



BENCHMARK:
 T.C. CENTERLINE OF INLET ON WEST SIDE
 OF SILVER VIEW LANE BETWEEN LOTS 4
 & 5, BLOCK B, OF STERLING FARMS
 ADDITION
 ELEV: 599.65

REVISED TO CONFORM TO CONSTRUCTION RECORDS.
 DATE: 5/23/03

SANITARY SEWER LINE G



DOUPHRADE & ASSOCIATES, INC.
 ENGINEERING • PROJECT MANAGEMENT • SURVEYING
 2235 RIDGE RD., # 200 ROCKWALL, TEXAS 75087
 PHONE: (972)771-9004 FAX: (972)771-9005

SANITARY SEWER PROFILES
LINE E & G
TIMBER CREEK ESTATES
 CITY OF ROCKWALL, ROCKWALL COUNTY, TEXAS

REVISION	
W.L.D.	CHECKED
K.E.B.	DRAWN
7/31/00	DATE
9913SS6	PROJECT