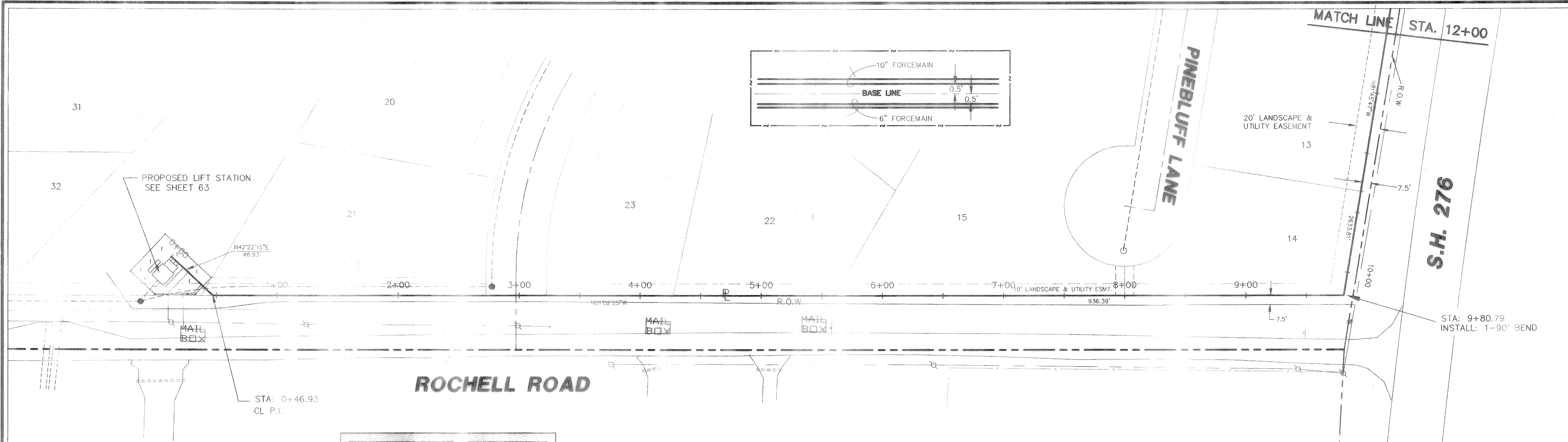


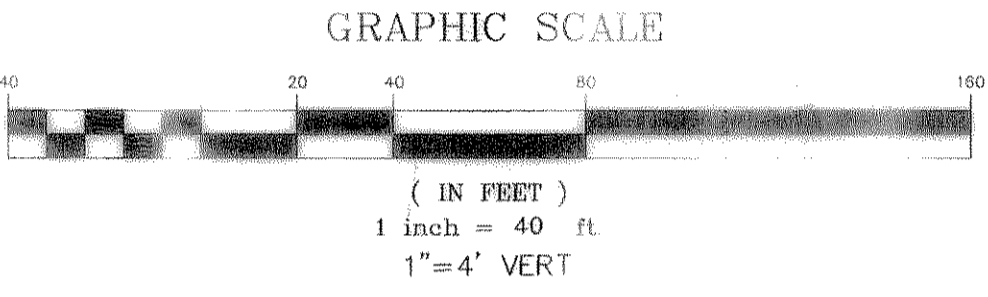
DOUPHRATE & ASSOCIATES, INC.
 ENGINEERING - PROJECT MANAGEMENT - SURVEYING
 2235 RIDGE RD., # 200 ROCKWALL, TEXAS 75087
 PHONE: (972)771-9004 FAX: (972)771-9006

SANITARY SEWER PLAN & PROFILE
 FORCE MAIN STA: 0+00 TO 12+00
 TIMBER CREEK ESTATES
 CITY OF ROCKWALL, ROCKWALL COUNTY, TEXAS

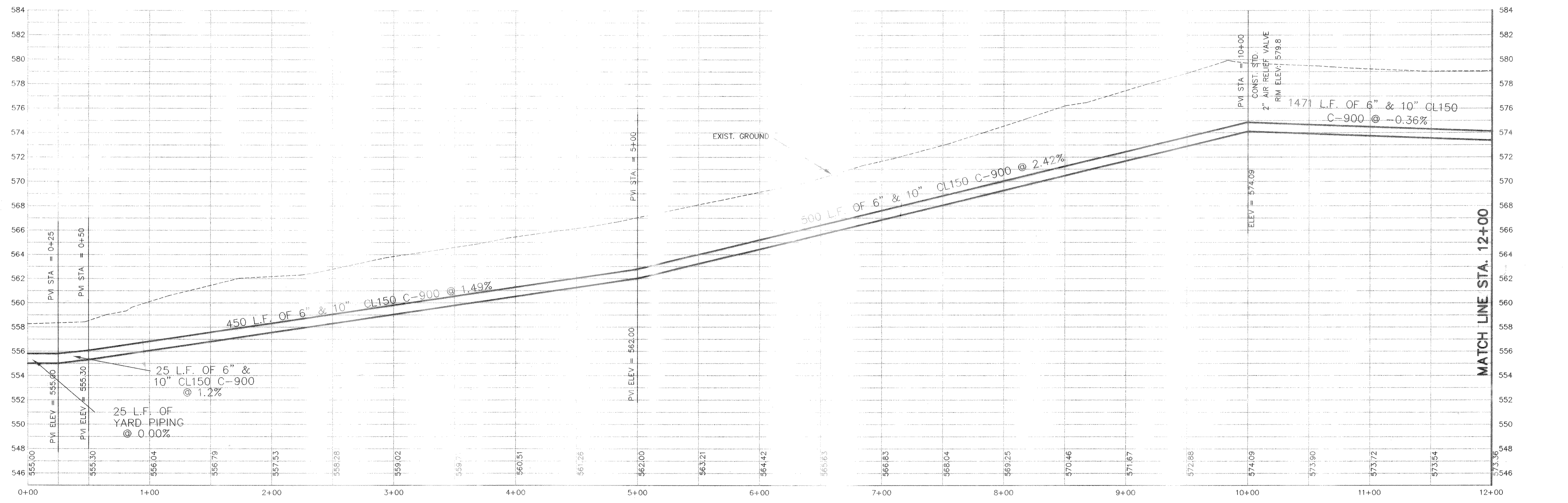
REVISION	
CHECKED	W.L.D.
DRAWN	KEB.
DATE	6/28/01
PROJECT	9913FM3-1

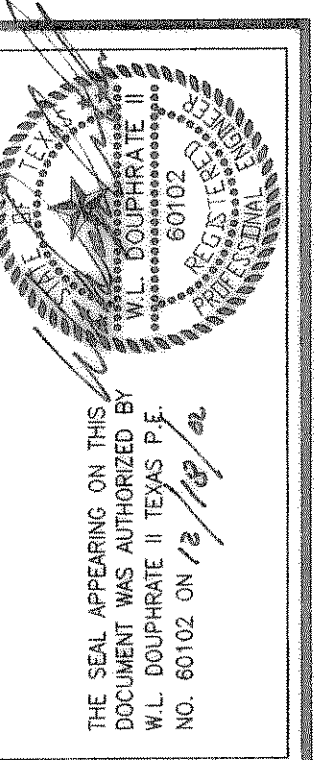


BENCHMARK:
 T.C. CENTERLINE OF INLET ON WEST SIDE
 OF SILVER VIEW LANE BETWEEN LOTS 4
 & 5, BLOCK B, OF STERLING FARMS
 ADDITION
 ELEV: 599.65



REVISED TO CONFORM TO CONSTRUCTION RECORDS.
W.L. Douphrate II DATE: 1/18/04



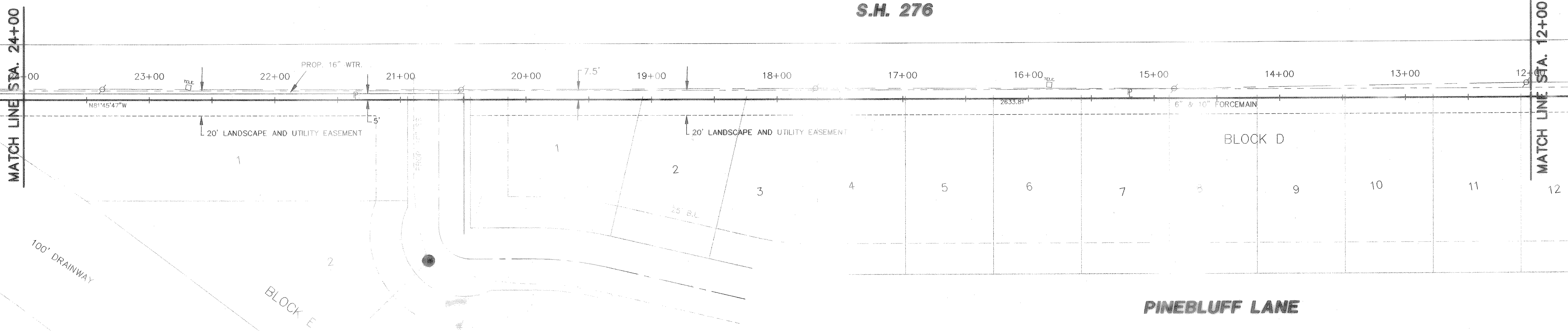


DOUPHRA
& ASSOCIATES, INC.
ENGINEERING - PROJECT MANAGEMENT - SURVEYING
2235 RIDGE RD., # 200 ROCKWALL, TEXAS 75087
PHONE: (972)771-9004 FAX: (972)771-9006

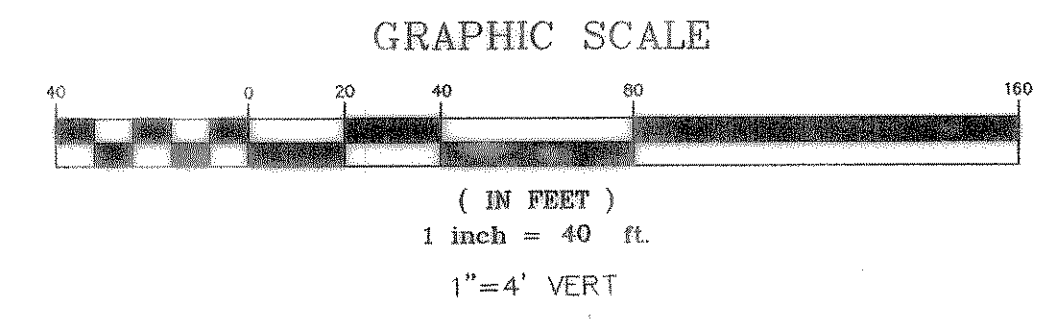
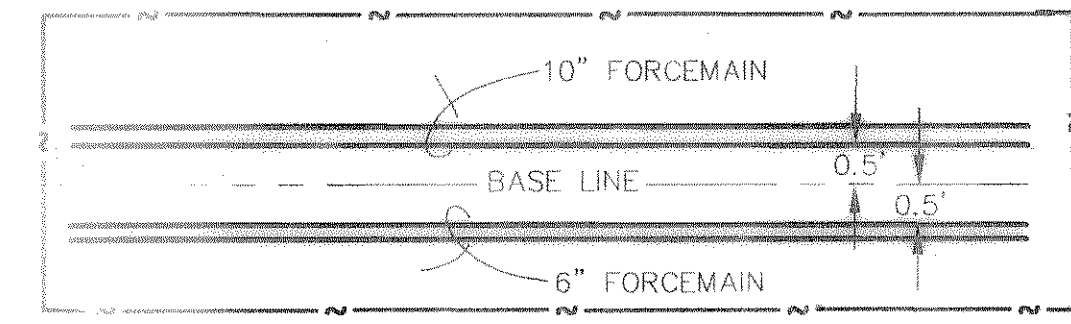
SANITARY SEWER PLAN & PROFILE
FORCE MAIN STA: 12+00 TO 24+00
TIMBER CREEK ESTATES
CITY OF ROCKWALL, ROCKWALL COUNTY, TEXAS

REVISION	
CHECKED	W.L.D.
DRAWN	KEB.
DATE	6/28/01
PROJECT	9913FM3-2
	55 OF

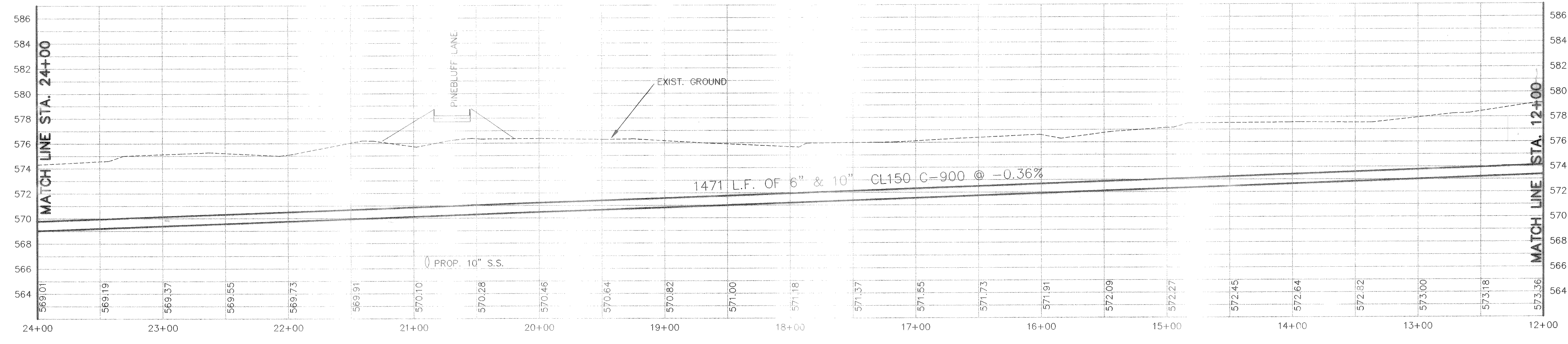
S.H. 276

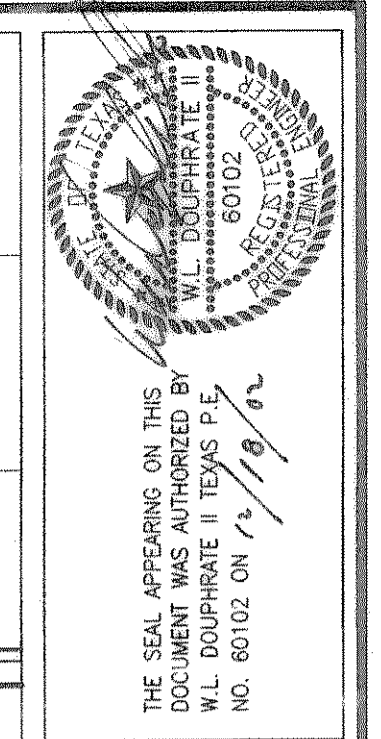


BENCHMARK:
T.C. CENTERLINE OF INLET ON WEST SIDE
OF SILVER VIEW LANE BETWEEN LOTS 4
& 5, BLOCK B, OF STERLING FARMS
ADDITION
ELEV: 599.65



REVISED TO CONFORM TO CONSTRUCTION RECORDS.
W.L. Douphrate DATE: 12/10/02

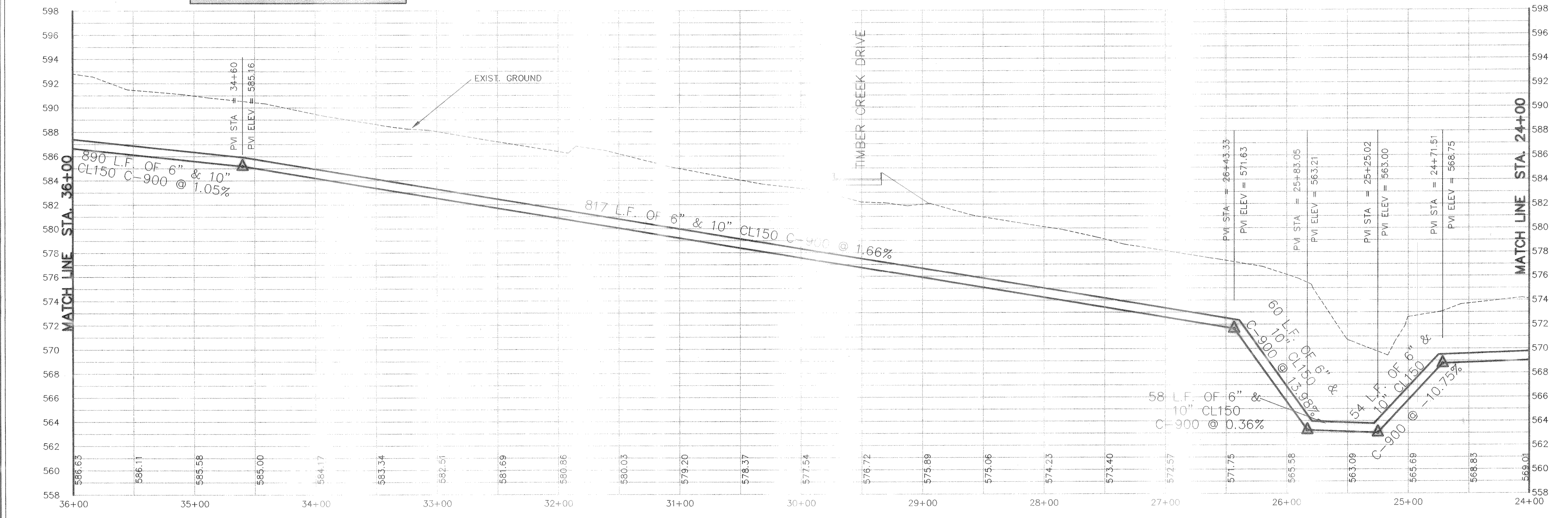
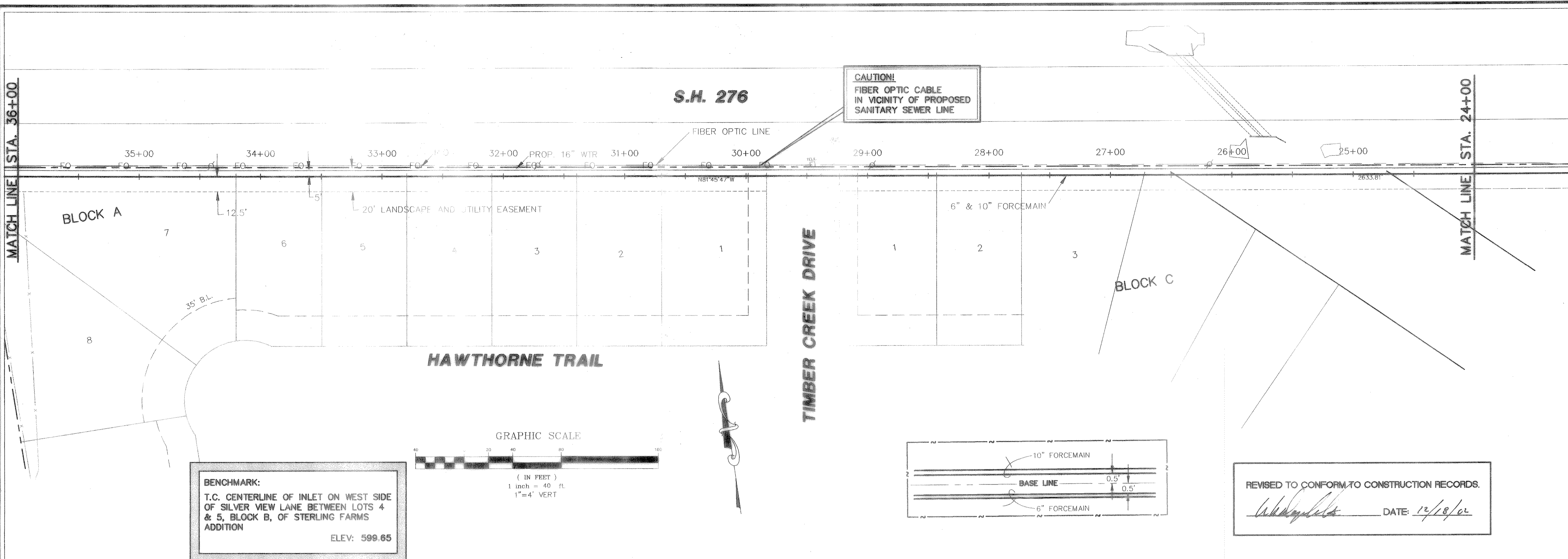


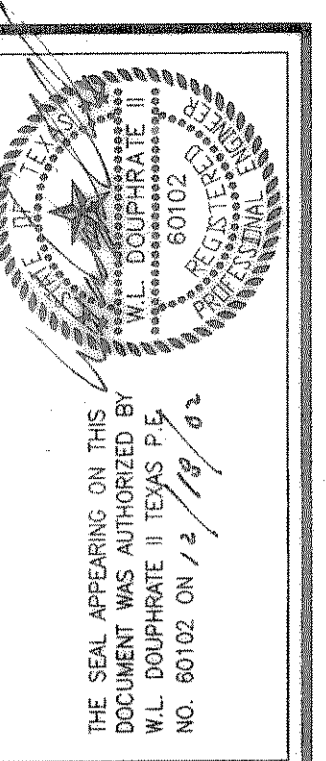


DOUPHRATE & ASSOCIATES, INC.
 ENGINEERING - PROJECT MANAGEMENT - SURVEYING
 2235 RIDGE RD., # 200 ROCKWALL, TEXAS 75087
 PHONE: (972)771-9004 FAX: (972)771-9006

SANITARY SEWER PLAN & PROFILE
 FORCE MAIN STA: 24+00 TO 36+00
 TIMBER CREEK ESTATES
 CITY OF ROCKWALL, ROCKWALL COUNTY, TEXAS

REVISION
W.L.D. CHECKED
K.E.B. DRAWN
6/28/01 DATE
9913FM3-4 PROJECT
56 OF

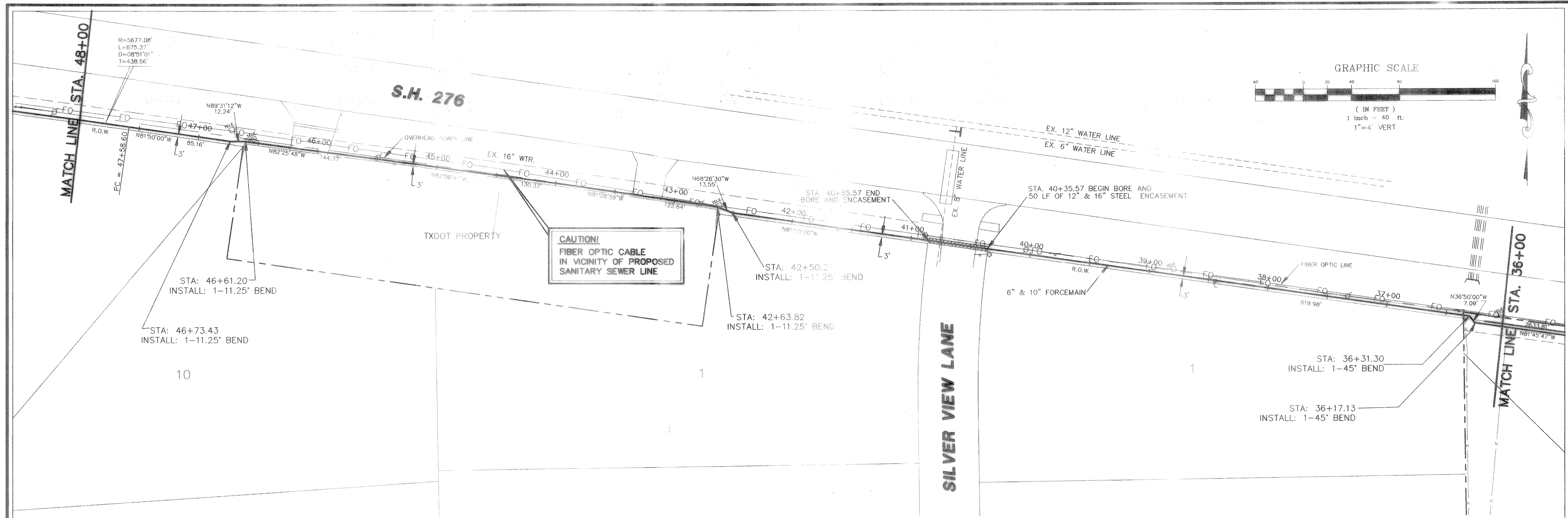
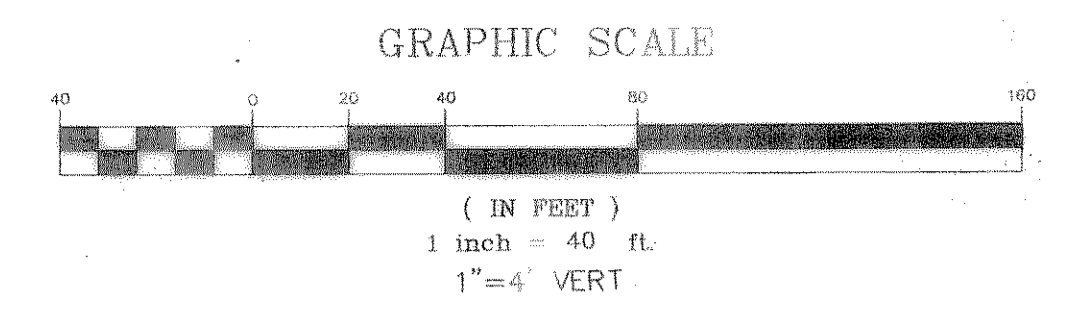




DOUPHRADE & ASSOCIATES, INC.
 ENGINEERING - PROJECT MANAGEMENT - SURVEYING
 2235 RIDGE RD., # 200 ROCKWALL, TEXAS 75087
 PHONE: (972)771-9004 FAX: (972)771-9005

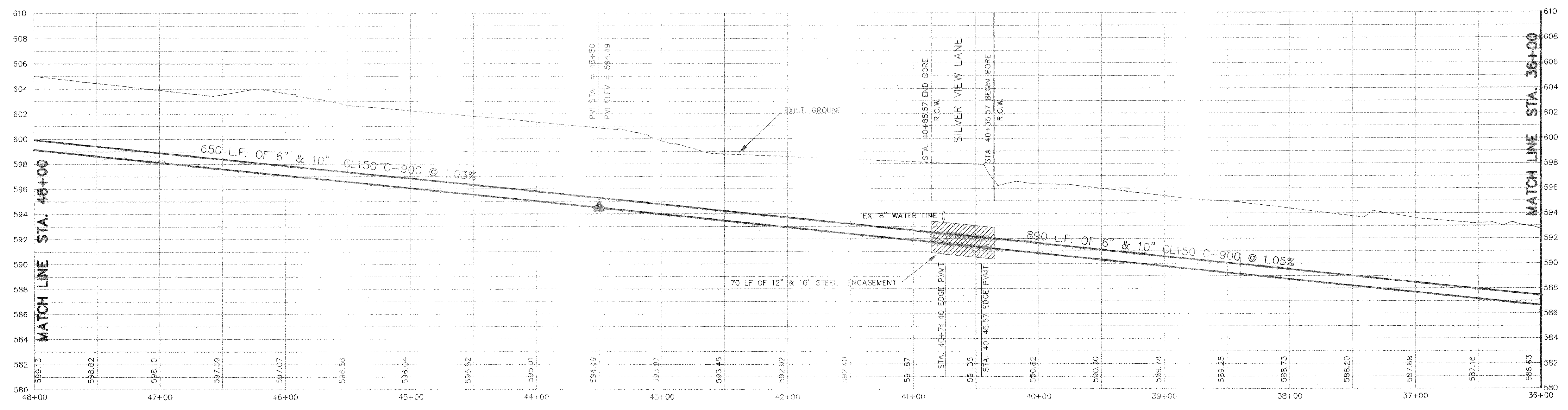
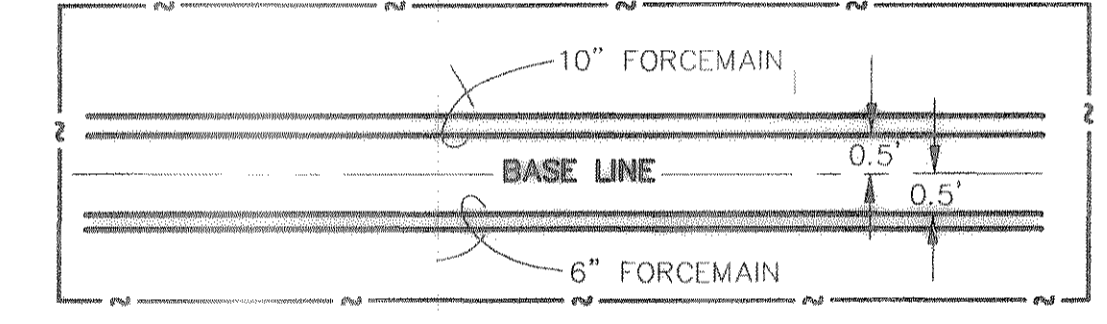
SANITARY SEWER PLAN & PROFILE
 FORCE MAIN STA: 36+00 TO 48+00
 TIMBER CREEK ESTATES
 CITY OF ROCKWALL, ROCKWALL COUNTY, TEXAS

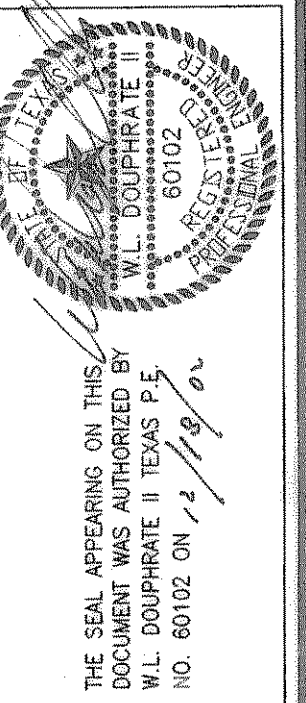
REVISION	
CHECKED	W.L.D.
DRAWN	K.E.B.
DATE	6/28/01
PROJECT	9913FM3-4
	57 OF



BENCHMARK:
 T.C. CENTERLINE OF INLET ON WEST SIDE
 OF SILVER VIEW LANE BETWEEN LOTS 4
 & 5, BLOCK B, OF STERLING FARMS
 ADDITION
 ELEV: 599.65

REVISED TO CONFORM TO CONSTRUCTION RECORDS.
W.L. Douphrate DATE: 12/18/01





THE SEAL APPEARING ON THIS DOCUMENT WAS AUTHORIZED BY W.L. DOUPHRATE, P.E. NO. 60102 ON 11/11/04

DOUPHRATE & ASSOCIATES, INC.
ENGINEERING • PROJECT MANAGEMENT • SURVEYING
2235 RIDGE RD., # 200 ROCKWALL, TEXAS 75087
PHONE: (972)771-9004 FAX: (972)771-9005

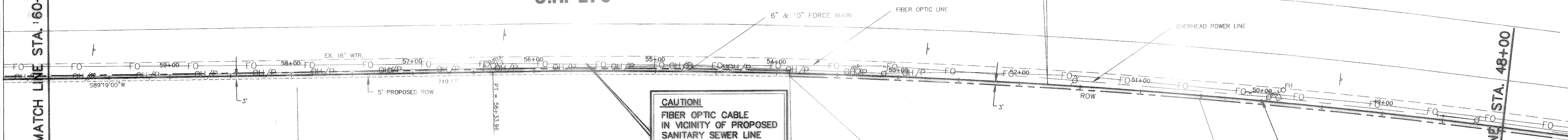
SANITARY SEWER PLAN & PROFILE
FORCE MAIN STA: 48+00 TO 60+00
TIMBER CREEK ESTATES
CITY OF ROCKWALL, ROCKWALL COUNTY, TEXAS

REVISION
W.L.D.
CHECKED
K.E.B.
DRAWN
6/28/01
DATE
9913FM3-5
PROJECT

S.H. 276

MATCH LINE STA. 60+00

MATCH LINE STA. 48+00

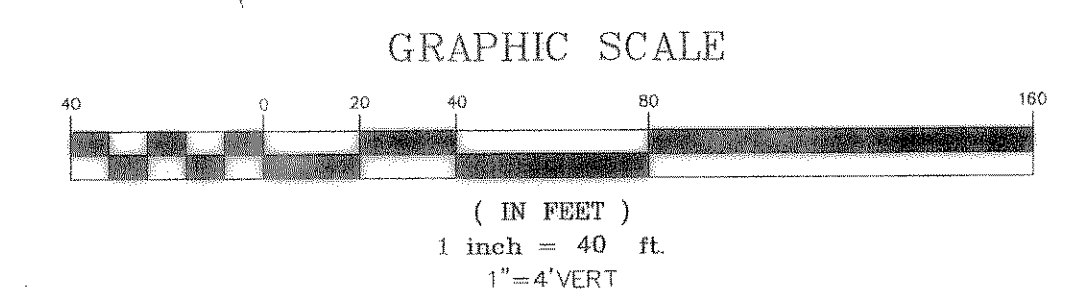


CAUTION!
FIBER OPTIC CABLE
IN VICINITY OF PROPOSED
SANITARY SEWER LINE

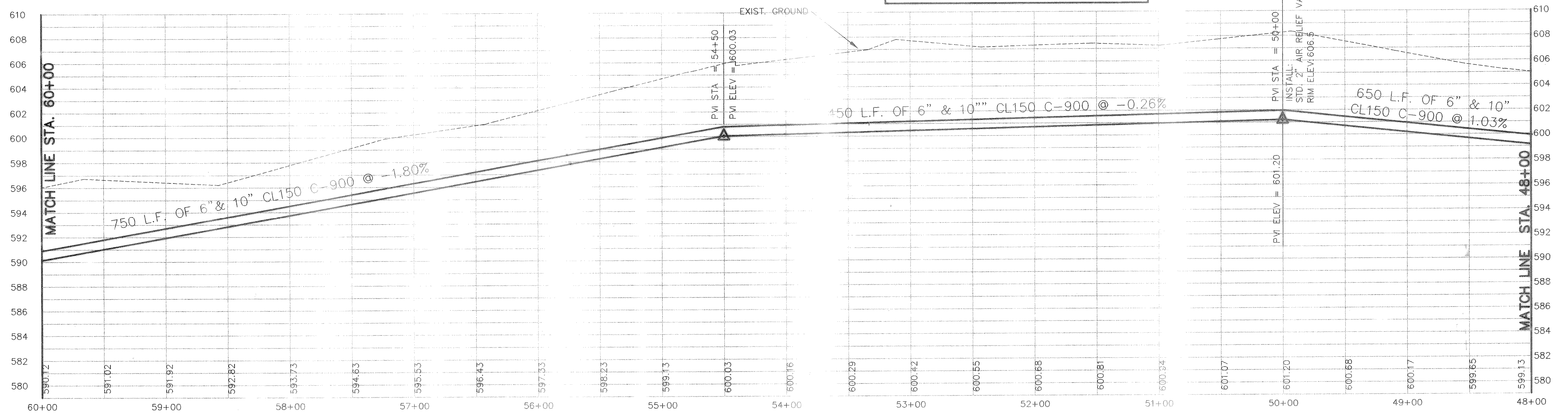
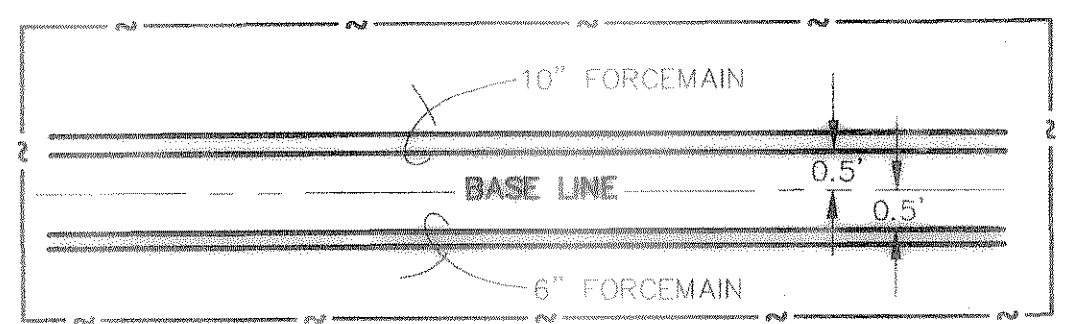
BENCHMARK:
T.C. CENTERLINE OF INLET ON WEST SIDE
OF SILVER VIEW LANE BETWEEN LOTS 4
& 5, BLOCK B, OF STERLING FARMS
ADDITION
ELEV: 599.65

JOWERS INC.

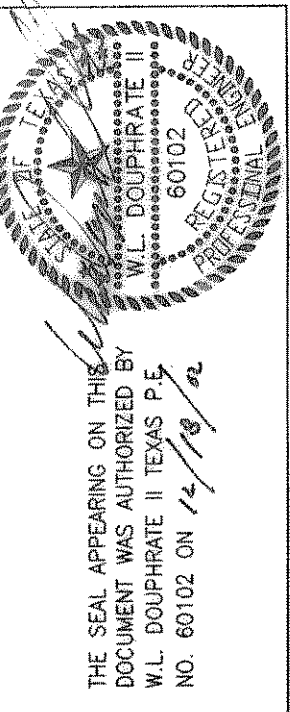
SAMI EBRAHM



REVISED TO CONFORM TO CONSTRUCTION RECORDS.
W.L.D. DATE: 12/18/01



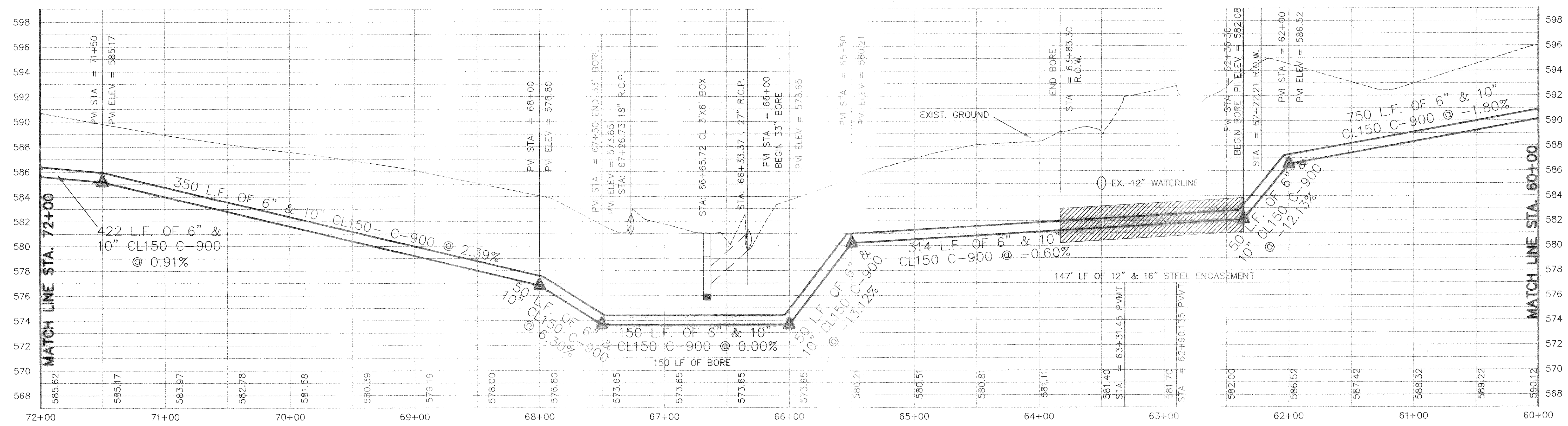
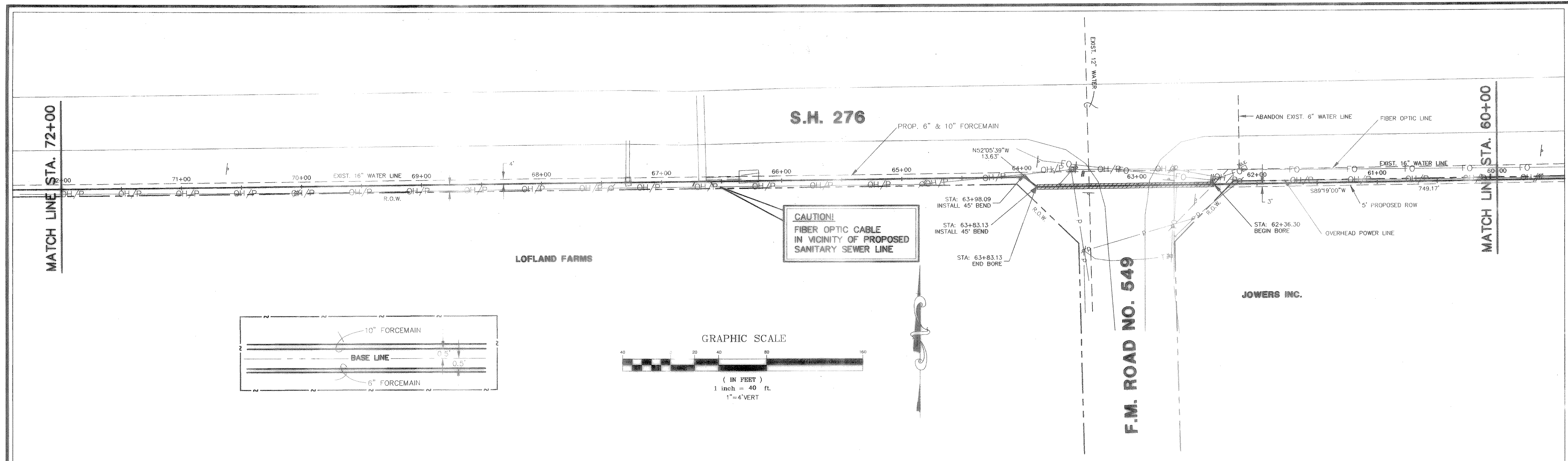
60+00 59+00 58+00 57+00 56+00 55+00 54+00 53+00 52+00 51+00 50+00 49+00 48+00



DOUPHRA
 & ASSOCIATES, INC.
 ENGINEERING - PROJECT MANAGEMENT - SURVEYING
 2235 RIDGE RD., # 200 ROCKWALL, TEXAS 75087
 PHONE: (972)771-9004 FAX: (972)771-9005

SANITARY SEWER PLAN & PROFILE
 FORCE MAIN STA: 60+00 TO 72+00
 TIMBER CREEK ESTATES
 CITY OF ROCKWALL, ROCKWALL COUNTY, TEXAS

REVISION
W.L.D. CHECKED
K.E.B. DRAWN
6/28/01 DATE
9913FM3-6 PROJECT



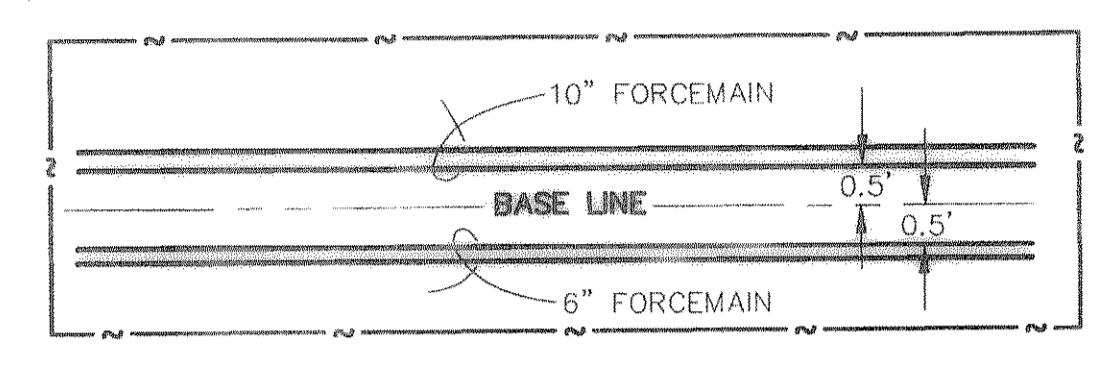
THE SEAL APPEARING ON THIS DOCUMENT WAS AUTHORIZED BY W.L. DOUPHRATE II TEXAS P.E. NO. 00102 ON 7/26/01

DOUPHRATE & ASSOCIATES, INC.
 ENGINEERING - PROJECT MANAGEMENT - SURVEYING
 2235 RIDGE RD. # 200 ROCKWALL, TEXAS 75087
 PHONE: (972)771-9004 FAX: (972)771-9006

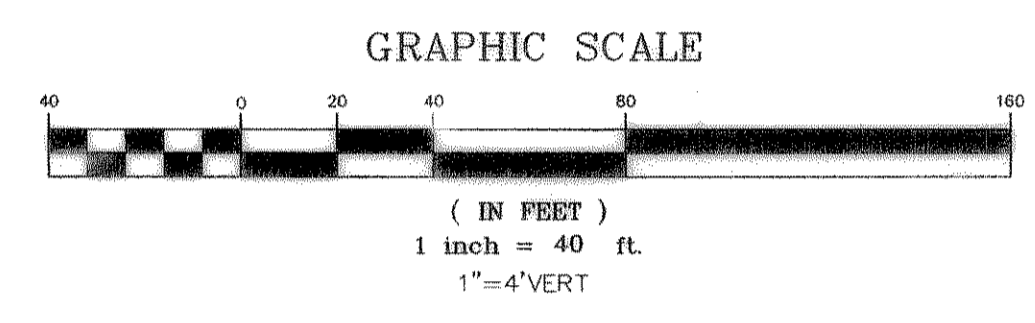
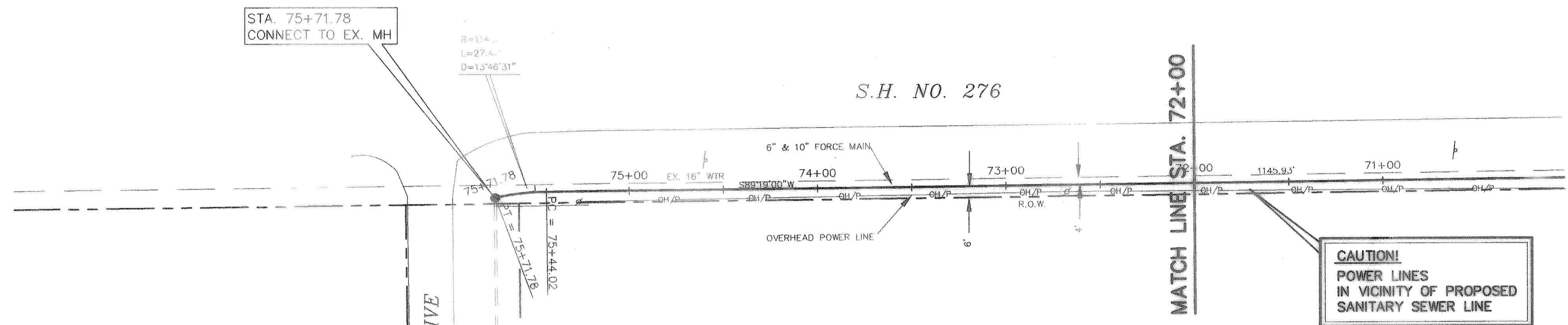
FORCE MAIN PLAN AND PROFILE
 STA: 72+00 TO 75+71.78
 TIMBER CREEK ESTATES
 CITY OF ROCKWALL, ROCKWALL COUNTY, TEXAS

REVISION
W.L.D.
CHECKED
K.E.B.
DRAWN
6/28/01
DATE
9913FM3-7
PROJECT

60
OF



REVISED TO CONFORM TO CONSTRUCTION RECORDS.
W.L. Douphrate DATE: 12/03/02



BENCHMARK:
 T.C. CENTERLINE OF INLET ON WEST SIDE OF SILVER VIEW LANE BETWEEN LOTS 4 & 5, BLOCK B, OF STERLING FARMS ADDITION
 ELEV: 599.65

