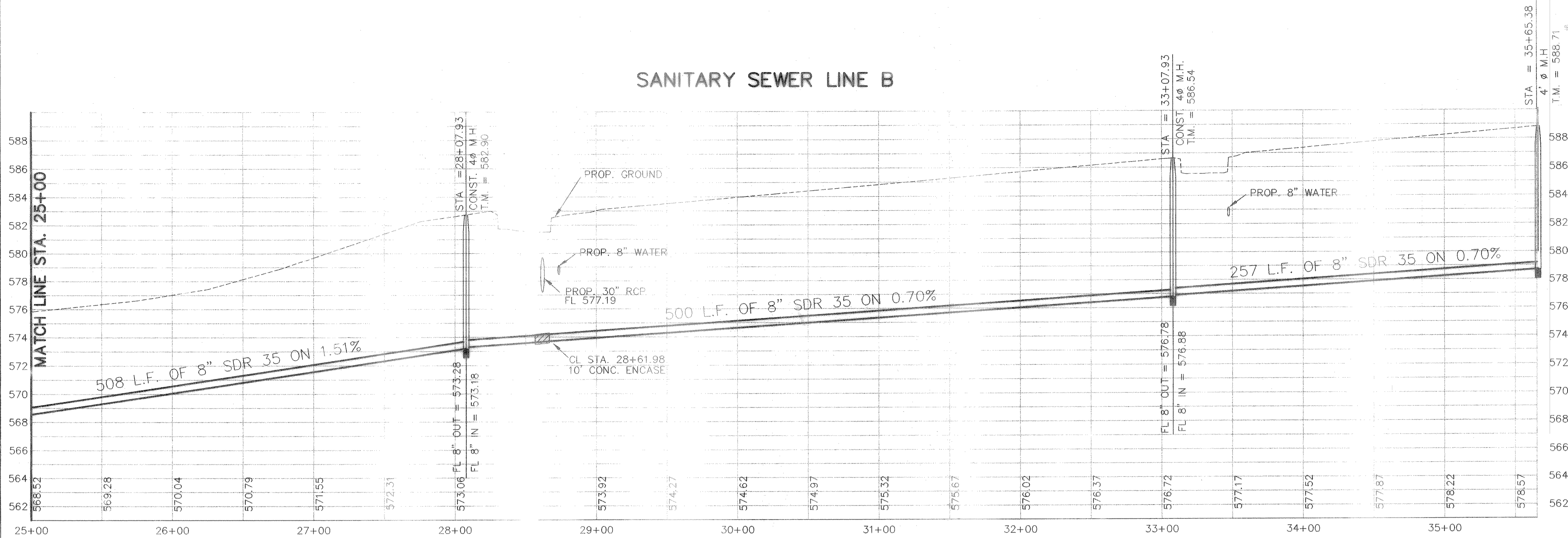
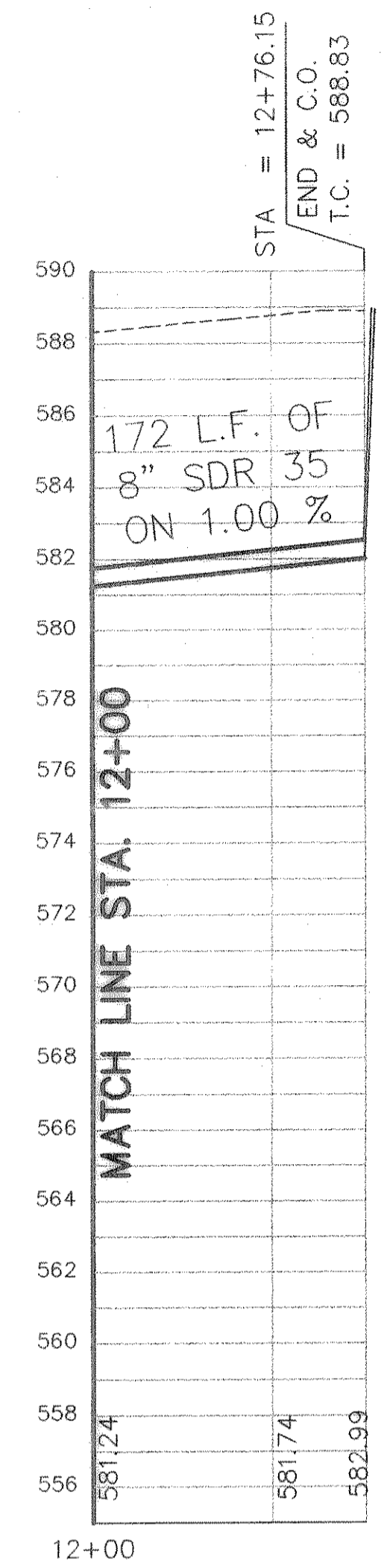


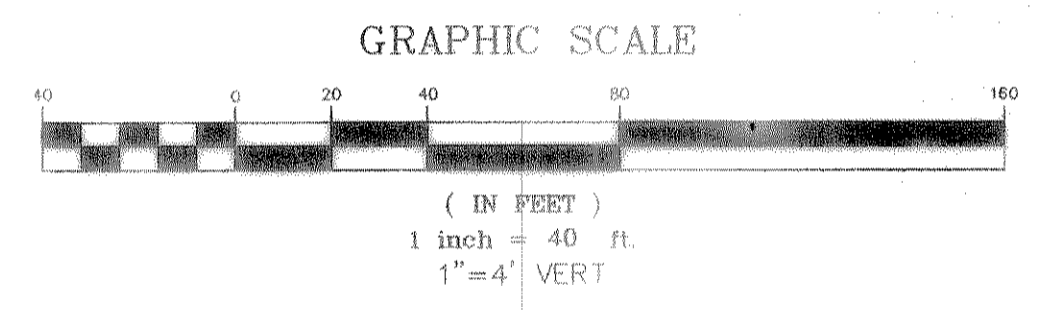
SANITARY SEWER LINE B



SANITARY SEWER LINE F

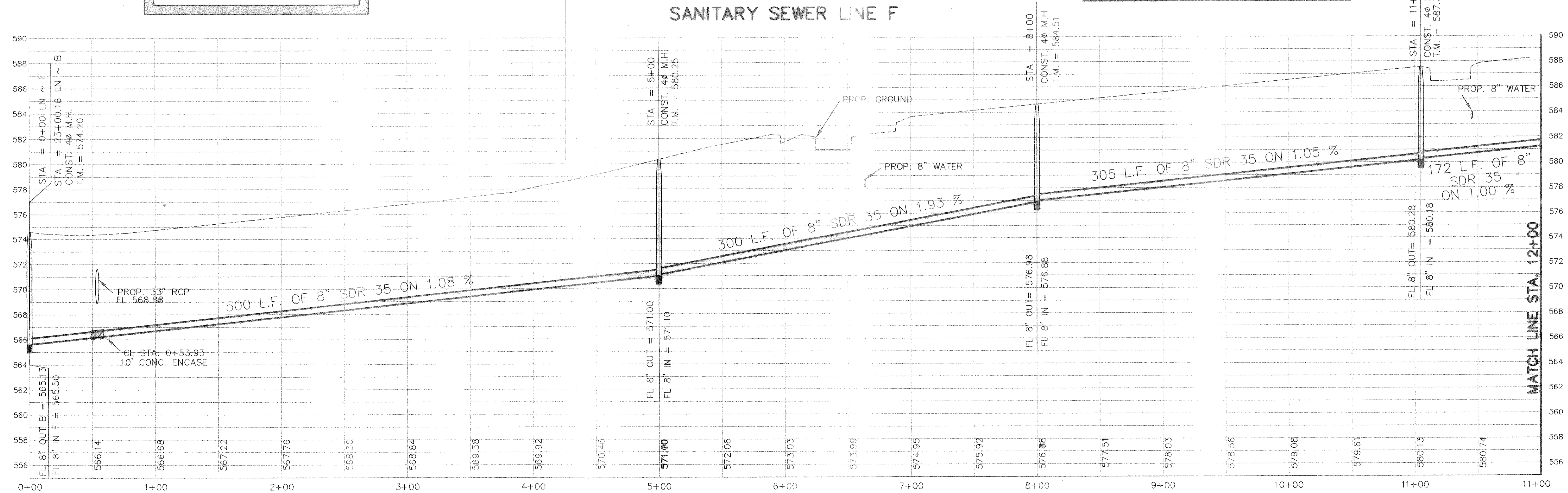


BENCHMARK:
 T.C. CENTERLINE OF INLET ON WEST SIDE
 OF SILVER VIEW LANE BETWEEN LOTS 4
 & 5, BLOCK B, OF STERLING FARMS
 ADDITION
 ELEV: 599.65



REVISED TO CONFORM TO CONSTRUCTION RECORDS.
WLD DATE: 12/18/01

SANITARY SEWER LINE F



THE SEAL APPEARING ON THIS DOCUMENT WAS AUTHORIZED BY W.L. DOUPHRATE II TEXAS P.E. NO. 00102 ON 1/19/94

DOUPHRATE & ASSOCIATES, INC.
 ENGINEERING - PROJECT MANAGEMENT - SURVEYING
 2235 RIDGE RD., # 200 ROCKWALL, TEXAS 75087
 PHONE: (972)771-9004 FAX: (972)771-9005

SANITARY SEWER PROFILES
 LINE "B" STA: 25+00 TO 35+65.38 AND LINE "F"
 TIMBER CREEK ESTATES
 CITY OF ROCKWALL, ROCKWALL COUNTY, TEXAS

REVISION	
CHECKED	WLD
DRAWN	KEB
DATE	1/31/01
PROJECT	9913582
	49 OF