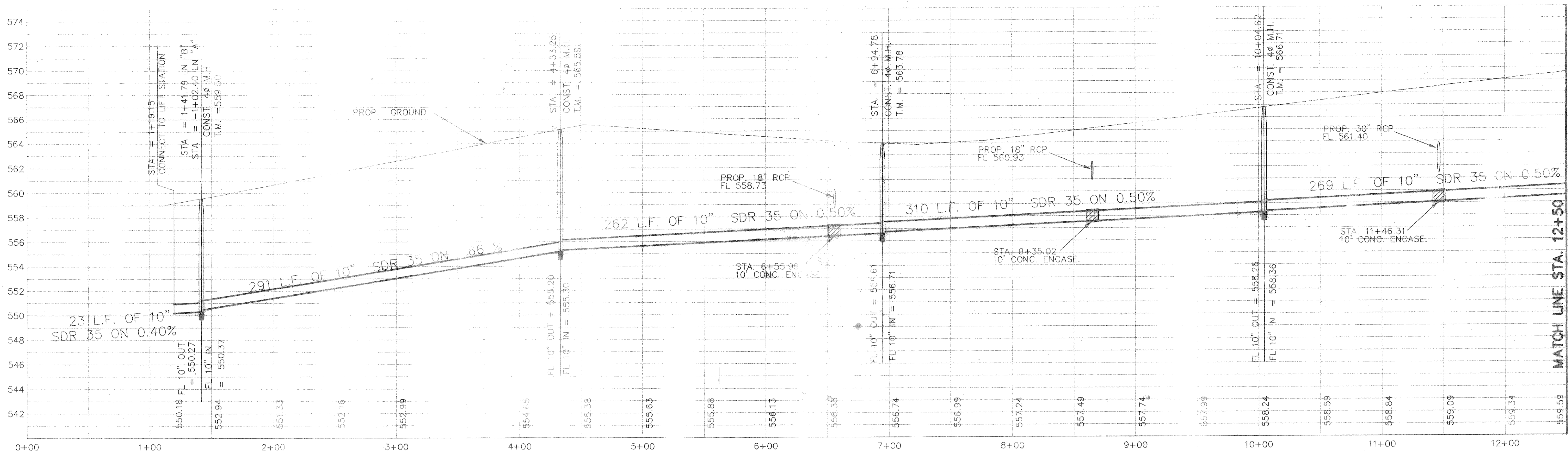
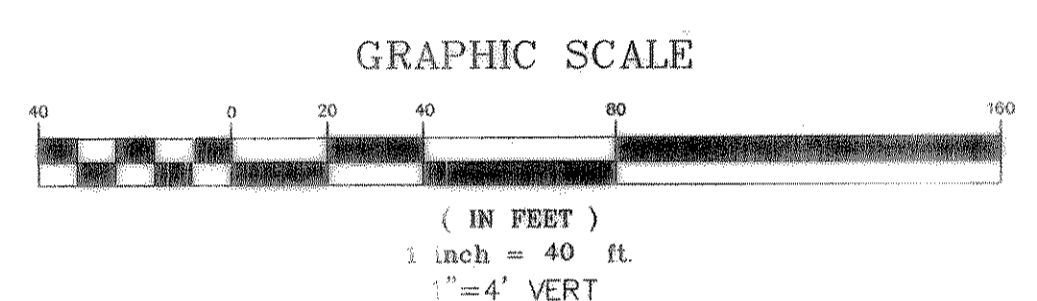


SANITARY SEWER LINE B

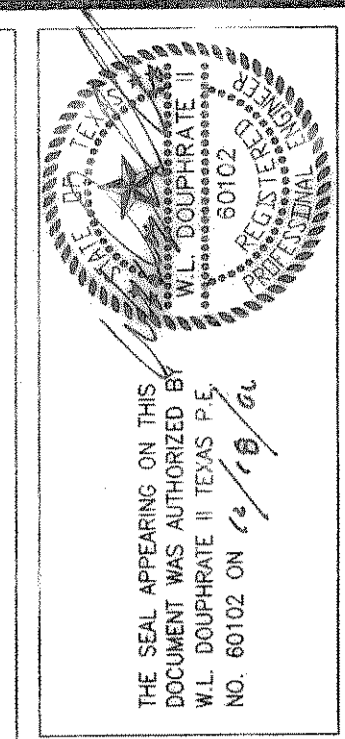
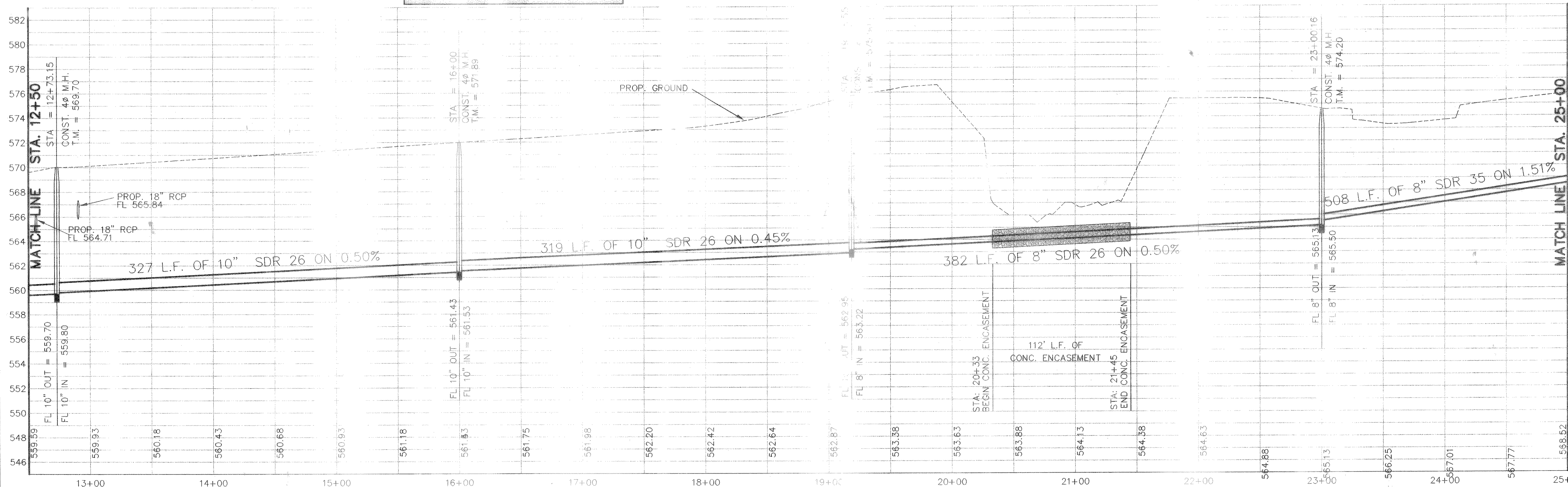


**BENCHMARK:**  
 T.C. CENTERLINE OF INLET ON WEST SIDE  
 OF SILVER VIEW LANE BETWEEN LOTS 4  
 & 5, BLOCK B, OF STERLING FARMS  
 ADDITION  
 ELEV: 599.65



REVISED TO CONFORM TO CONSTRUCTION RECORDS.  
 DATE: 12/18/01

SANITARY SEWER LINE B



**DOUPHRATE & ASSOCIATES, INC.**  
 ENGINEERING - PROJECT MANAGEMENT - SURVEYING  
 2235 RIDGE RD., # 200 ROCKWALL, TEXAS 75087  
 PHONE: (972)771-9004 FAX: (972)771-9005

SANITARY SEWER PROFILE  
 LINE "B" STA: 1+19.15 TO 25+00  
 TIMBER CREEK ESTATES  
 CITY OF ROCKWALL, ROCKWALL COUNTY, TEXAS

REVISION	
CHECKED	W.L.D.
DRAWN	K.E.B.
DATE	1/30/01
PROJECT	9913SS1
	48 OF