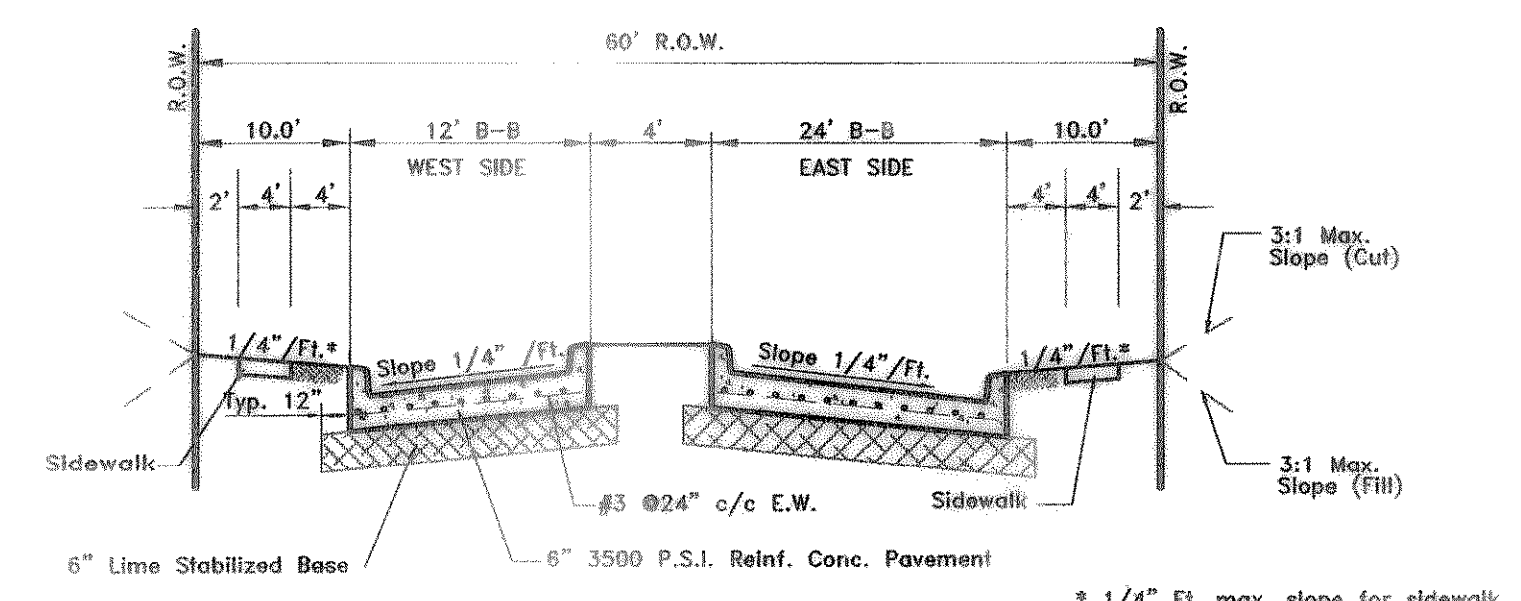
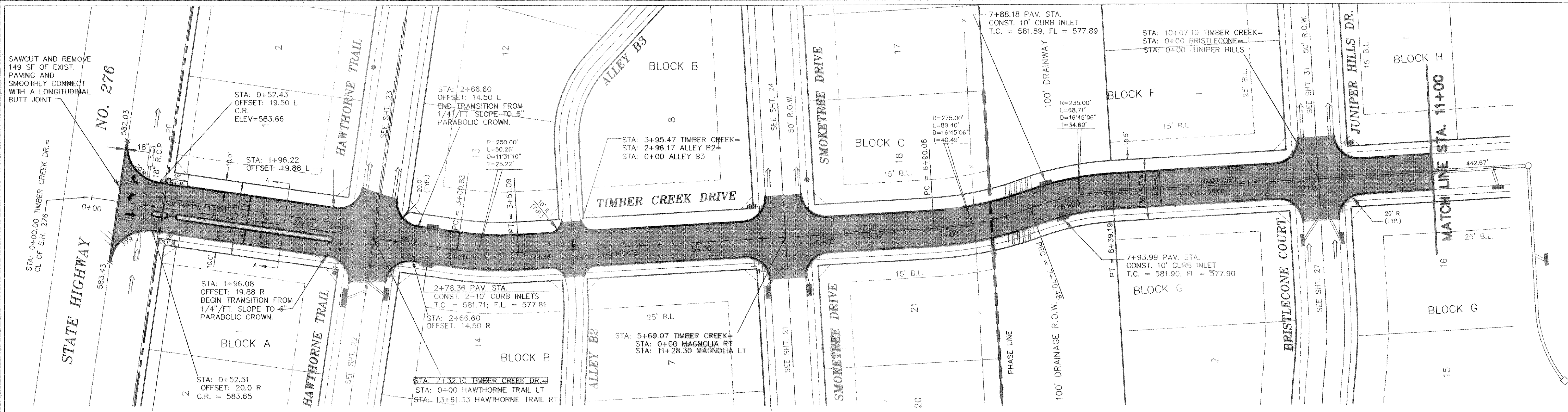
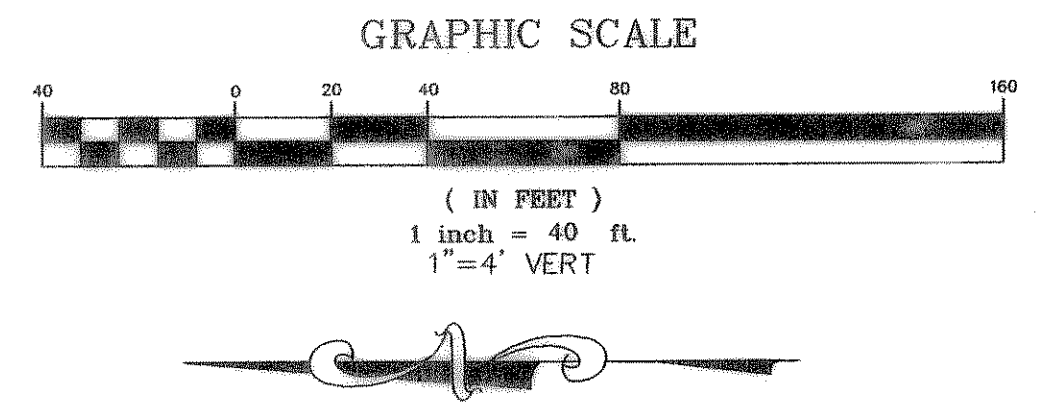


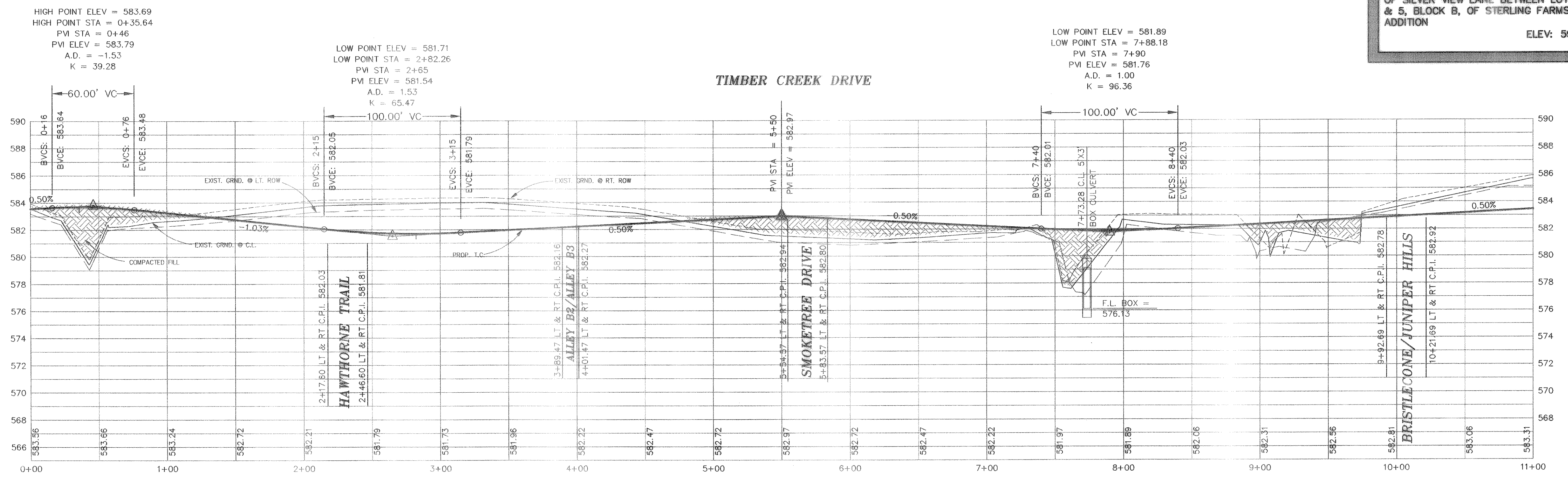
DOUPHRADE & ASSOCIATES, INC.
 ENGINEERING - PROJECT MANAGEMENT - SURVEYING
 2235 RIDGE RD., # 200 ROCKWALL, TEXAS 75087
 PHONE: (972)771-9004 FAX: (972)771-9005



REVISED TO CONFORM TO CONSTRUCTION RECORDS.
 DATE: 12/16/06



BENCHMARK:
 T.C. CENTERLINE OF INLET ON WEST SIDE OF SILVER VIEW LANE BETWEEN LOTS 4 & 5, BLOCK B, OF STERLING FARMS ADDITION
 ELEV: 599.65



PAVING PLAN & PROFILE
 TIMBER CREEK DR. STA: 0+00 TO 11+00
 TIMBER CREEK ESTATES
 CITY OF ROCKWALL, ROCKWALL COUNTY, TEXAS

REVISION	
CHECKED	W.L.D.
DRAWN	K.E.B.
DATE	7/15/00
PROJECT	9913PV3
	25 OF