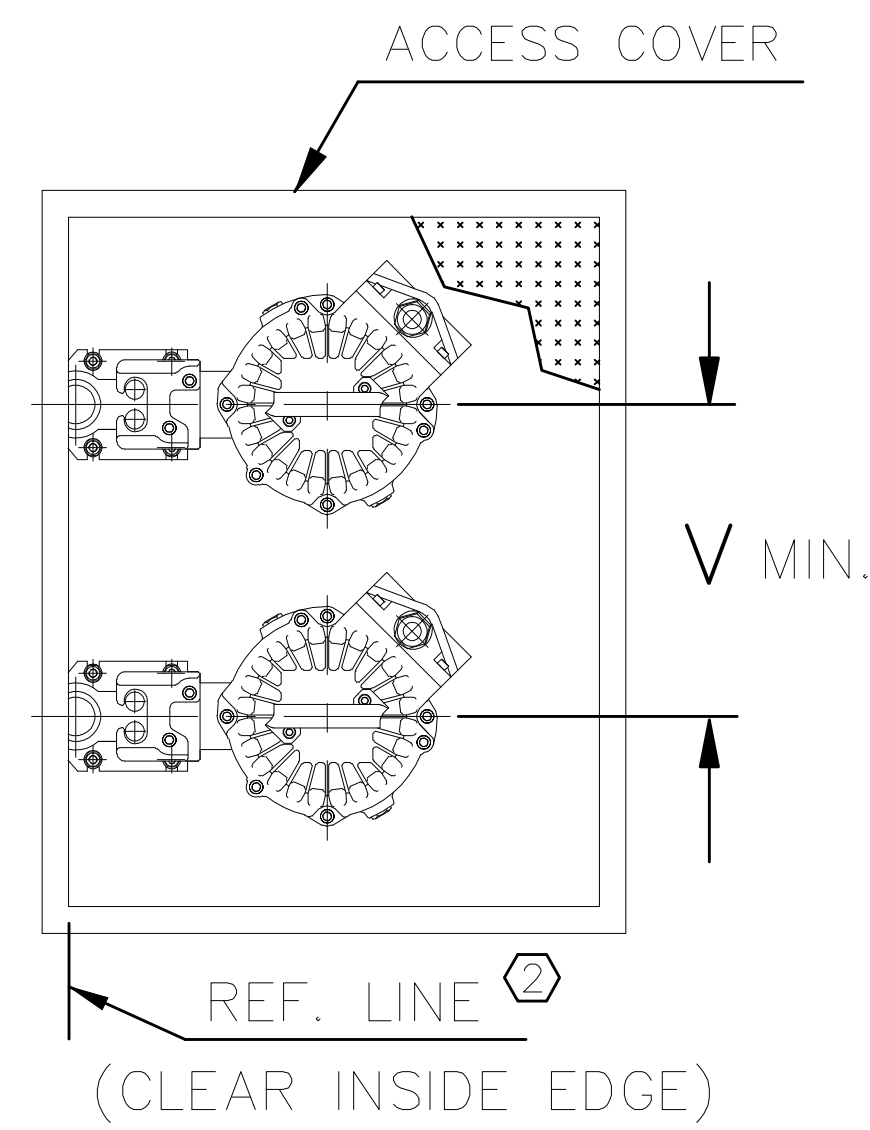


ACCESS COVER TO BE ALUMINUM  
TORSION ASSISTED OPENING  
WITH STAINLESS STEEL HARDWARE



- ⊠ NOTES:
1. DIM. TO ENDS OF GUIDE BARS.
  2. REPRESENTS CLEAR INSIDE EDGE OF ACCESS FRAME OR OPENING.
  3. SEE STATION DWGS. FOR COMPLETE INSTALLATION DIMENSIONS.  
SIMPLEX 14-68 04 11  
DUPLEX 14-68 04 13

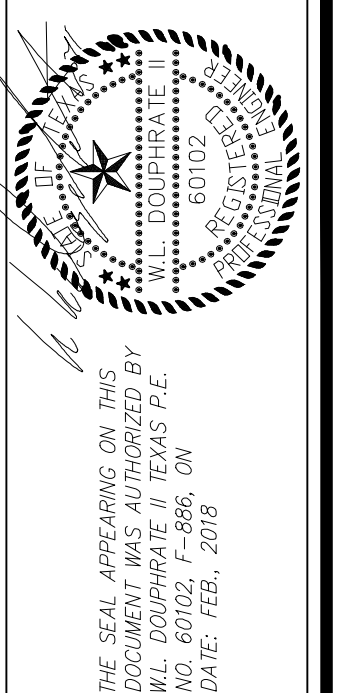
REVISED TO CONFORM TO CONSTRUCTION RECORDS.

*[Signature]* DATE: 8-10-20

NOM. SIZE	VERSION	WEIGHT(LBS)	
		PUMP	DISCH
2"	HT	175	15
2"	LT	175	15

ALL DIMENSIONS IN INCHES

NOM. SIZE	VERSION	DIMENSIONAL CHART																		
		A	B	C	D	E	F	G	H	J	K	L	M	N	P	R	S	T	U	V
2"	HT	1 1/4	4	4 1/2	2 1/4	5 1/4	6 3/4	3	20 1/2	2 1/4	9 1/4	20	5 1/2	5 1/2	5 1/2	21 1/4	13 3/4	6	3/4	15 3/4
2"	LT	1 1/4	4	4 1/2	2 1/4	5 1/4	6 3/4	3	20 1/2	2 1/4	9 3/4	20 1/4	5 1/2	5 1/2	5 1/2	21 3/4	14 1/4	6	3/4	15 3/4



DOUPHRA  
& ASSOCIATES, INC.  
ENGINEERING • PROJECT MANAGEMENT • SURVEYING  
2235 RIDGE RD., # 200 ROCKWALL, TEXAS 75087  
PHONE: (972)771-9004 FAX: (972)771-9005

LIFT STATION PUMP DETAILS  
THE STANDARD  
ROCKWALL  
CITY OF ROCKWALL, ROCKWALL COUNTY, TEXAS

REVISION
W.L.D. CHECKED
G.C.W. DRAWN
02/18 DATE
17013 PROJECT
6.4