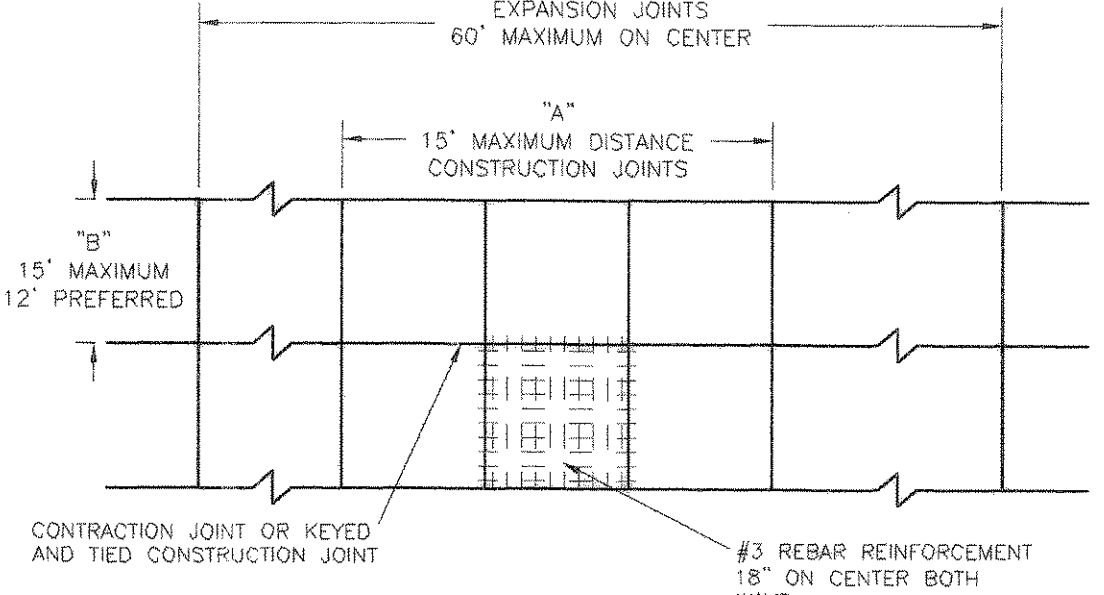


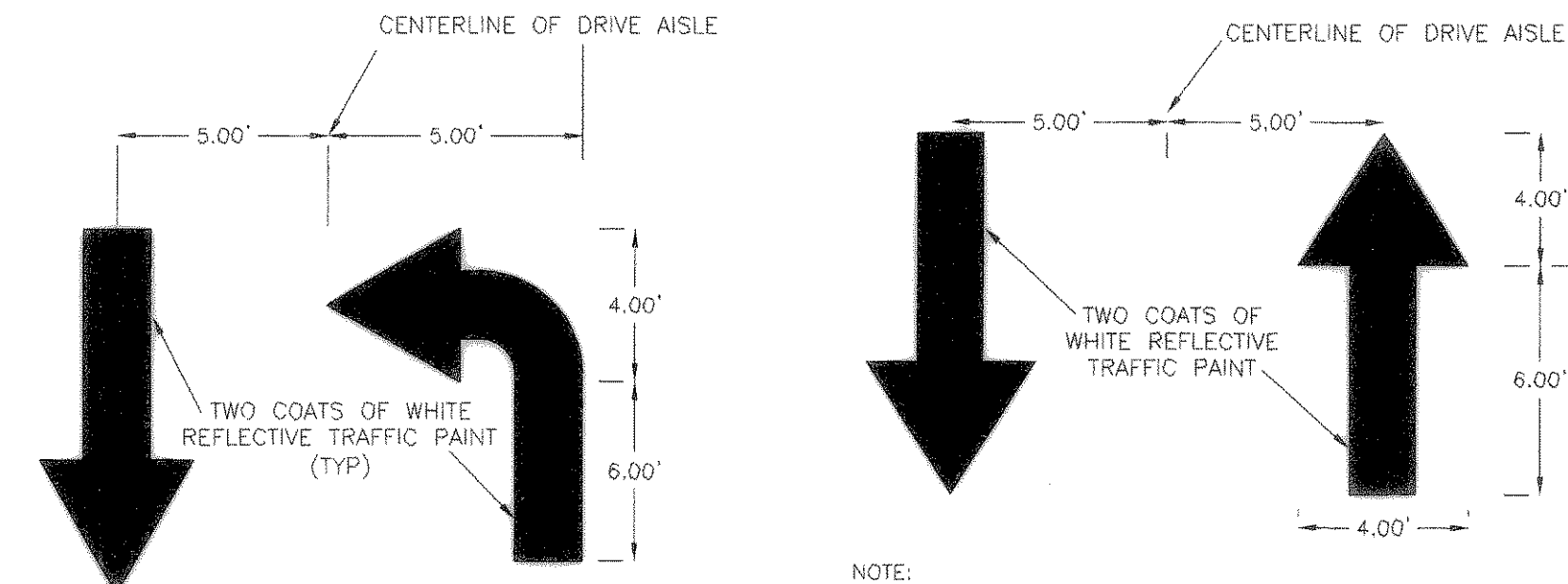
NOTE: WHEN PLACING SEALANT IN EXPANSION JOINTS, POLYETHYLENE BOND BREAKER TAPE SHALL BE ON TOP OF THE PREMOLDED EXPANSION JOINT IN LIEU OF BACKUP ROD.

CONSTRUCTION JOINT AT SEALANT CONDITION
NTS



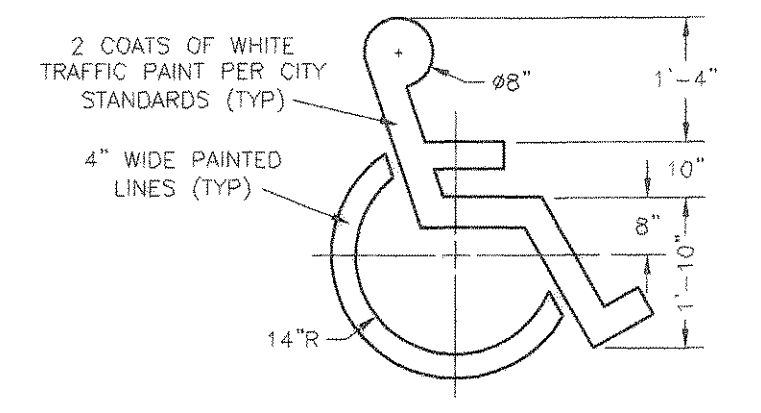
NOTES:
1) IN GENERAL "A" AND "B" (IN FEET) SHALL NOT EXCEED APPROXIMATELY TWICE THE NOMINAL THICKNESS OF THE CONCRETE PAVEMENT (IN INCHES).
2) THE RATIO OF "A"/"B" SHALL NOT EXCEED 1.5; "A" = "B" PREFERRED.
3) CONTRACTOR SHALL SUBMIT A JOINTING PLAN TO CARTER AND BURGESS FOR APPROVAL.

TYPICAL CONCRETE PAVEMENT JOINT LAYOUT
NTS



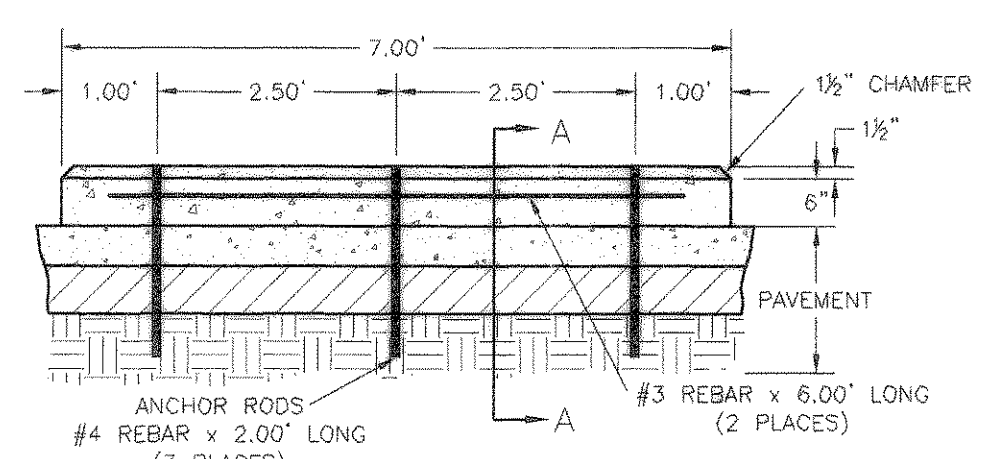
NOTE: TEMPLATE AVAILABLE FROM MALTISE SIGNS. CONTACT THE CVS CONSTRUCTION PROJECT MANAGER FOR MORE INFORMATION.

DRIVE THRU ARROW DETAIL
NTS



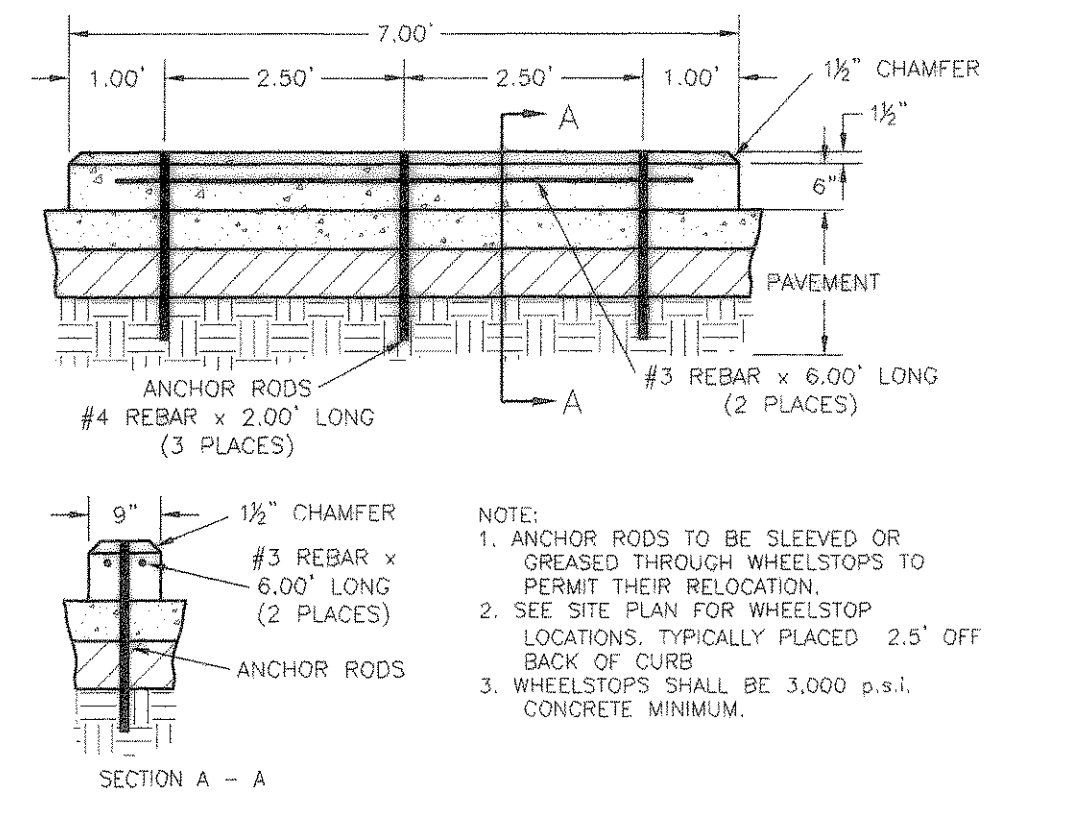
HANDICAPPED PAINTED SYMBOL
NTS

DRIVEWAY TRAFFIC FLOW DIRECTIONAL ARROW DETAIL
NTS



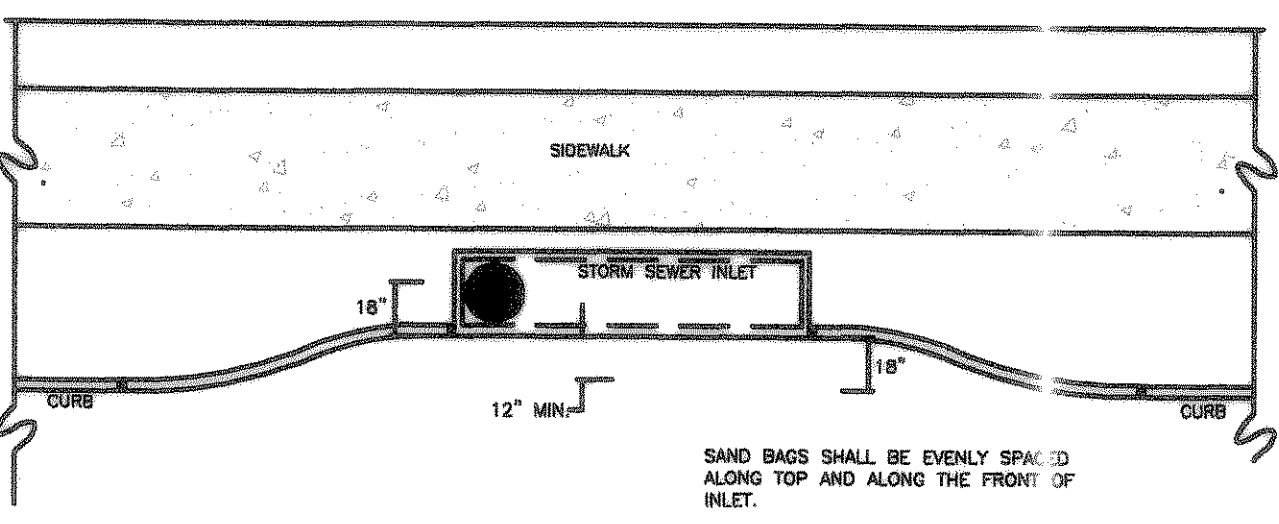
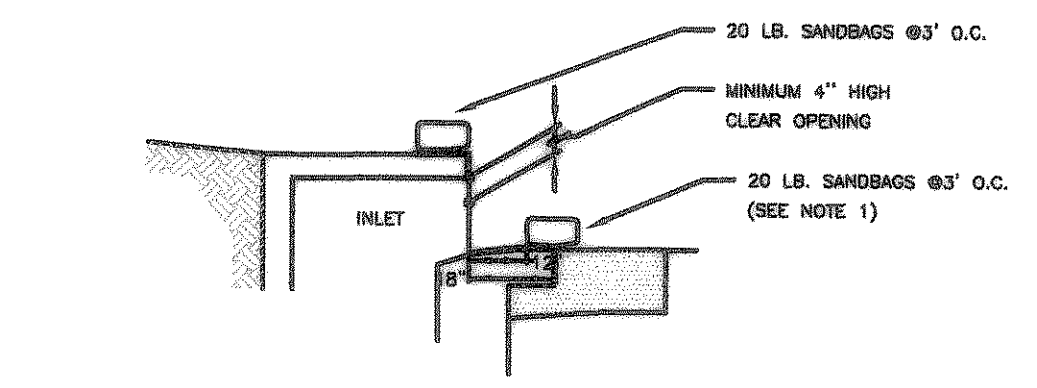
NOTE: ANCHOR RODS TO BE SLEEVED OR GREASED THROUGH WHEELSTOPS TO PERMIT THEIR RELOCATION. SEE SITE PLAN FOR WHEELSTOP LOCATIONS. TYPICALLY PLACED 2.5' OFF BACK OF CURB. WHEELSTOPS SHALL BE 3,000 p.s.i. CONCRETE MINIMUM.

WHEELSTOP DETAIL
NTS



NOTE: ANCHOR RODS TO BE SLEEVED OR GREASED THROUGH WHEELSTOPS TO PERMIT THEIR RELOCATION. SEE SITE PLAN FOR WHEELSTOP LOCATIONS. TYPICALLY PLACED 2.5' OFF BACK OF CURB. WHEELSTOPS SHALL BE 3,000 p.s.i. CONCRETE MINIMUM.

WHEELSTOP DETAIL
NTS



CURB INLET PROTECTION DETAIL
NOT TO SCALE

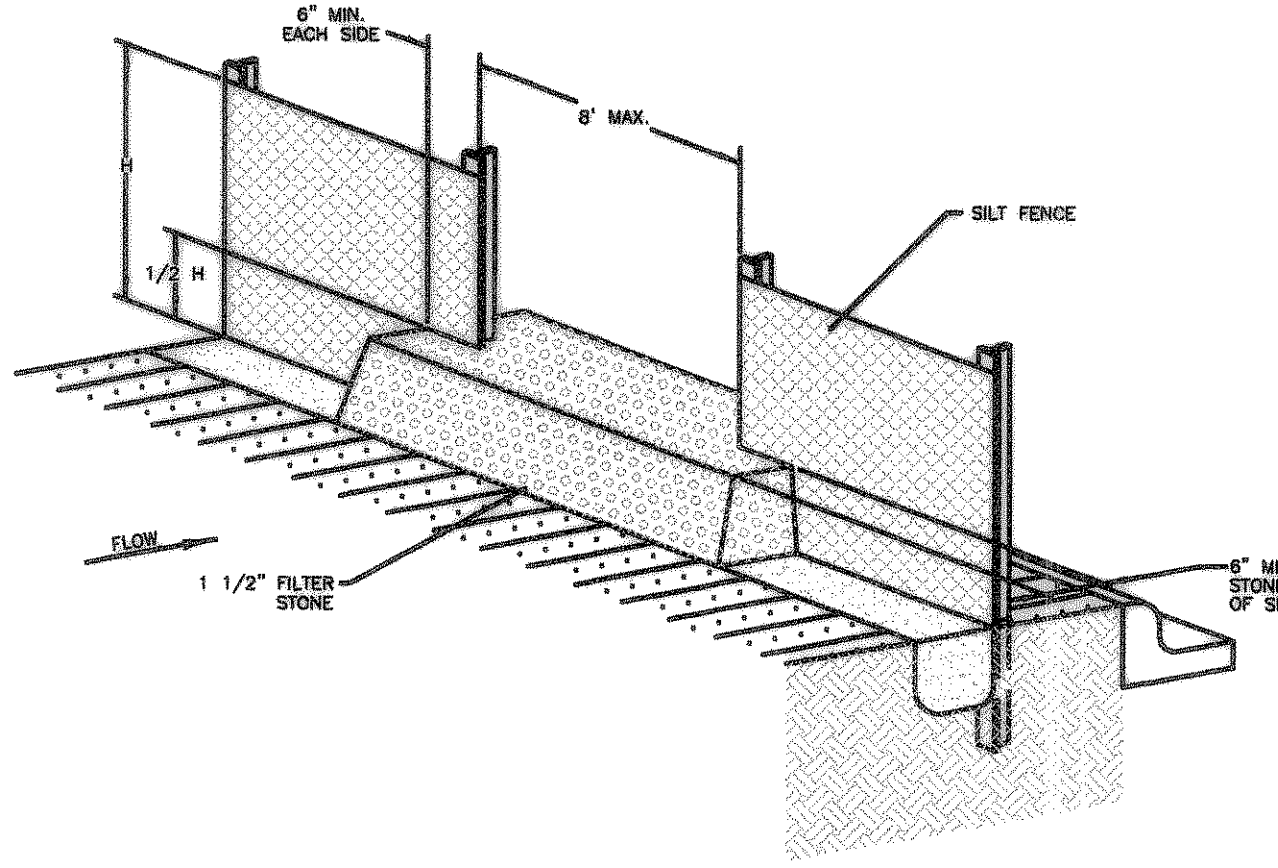
FIRE LANES
FIRE LANES SHALL HAVE AN UNOBSTRUCTED WIDTH OF NOT LESS THAN 24 FEET OR 26 FEET WHEN LOCATED WITHIN 35 FEET OF ANY STRUCTURE IN EXCESS OF 36 FEET IN HEIGHT. AN UNOBSTRUCTED VERTICAL CLEARANCE OF NOT LESS THAN 13 FEET 6 INCHES IS REQUIRED.

FIRE LANE STRIPING:
WHERE RED STRIPE INTERSECTS WITH A CURB LINE, PAINT FACE AND TOP OF CURB RETURN.

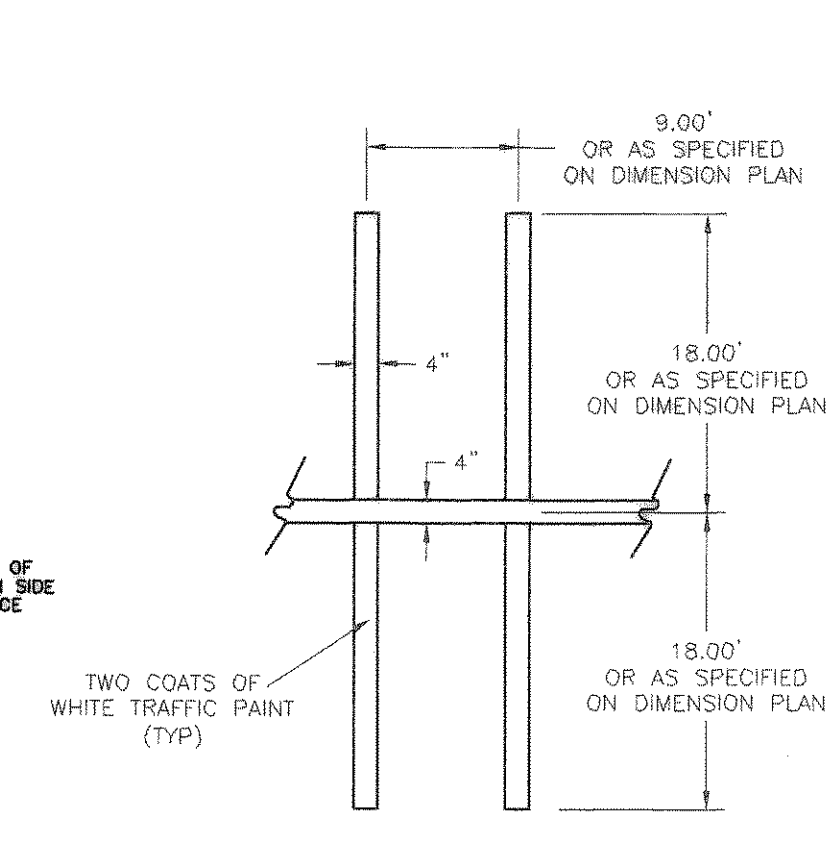
PAINT 4 INCH HIGH LETTERING WITH A 1 INCH STROKE CENTERED ON RED STRIPE SHALL READ: "NO PARKING" - "FIRE LANE" THIS LETTERING SHALL BE PAINTED EVERY 20 FEET AS MEASURED FROM THE END OF ONE LETTERING GROUP TO THE BEGINNING OF THE NEXT GROUP WITH A 1 FOOT SPACE BETWEEN "NO PARKING" AND "FIRE LANE". (NOTE: QUOTES ARE USED IN THIS DESCRIPTION FOR EMPHASIS ONLY AND ARE NOT TO BE PAINTED WITH THE LETTERING)



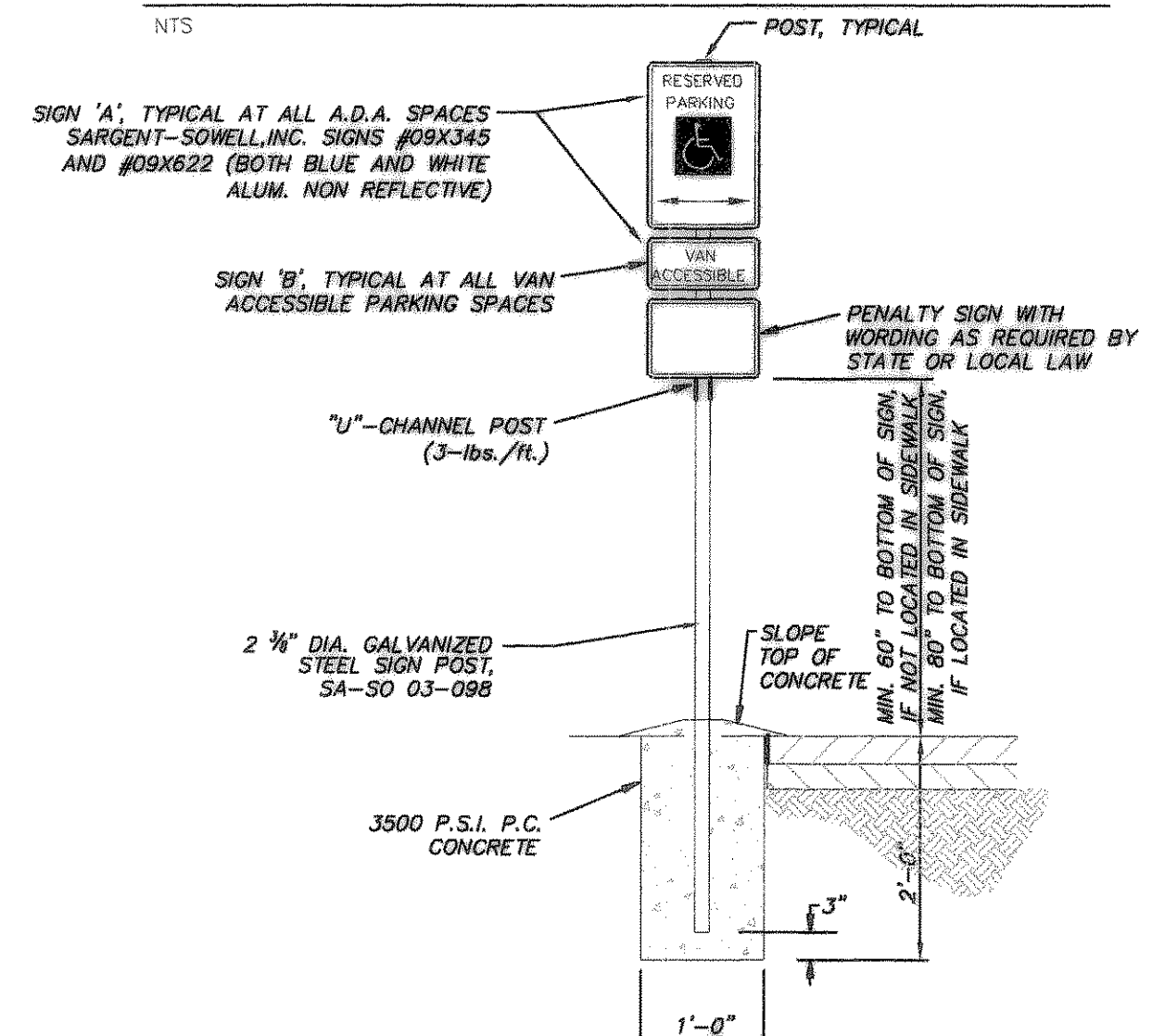
NOTE: STONE OVERFLOW STRUCTURES OF OTHER OUTLET CONTROL DEVICES SHALL BE INSTALLED AT ALL LOW POINTS ALONG THE FENCE OR EVERY 300 FEET IF THERE IS NO APPARENT LOW POINT



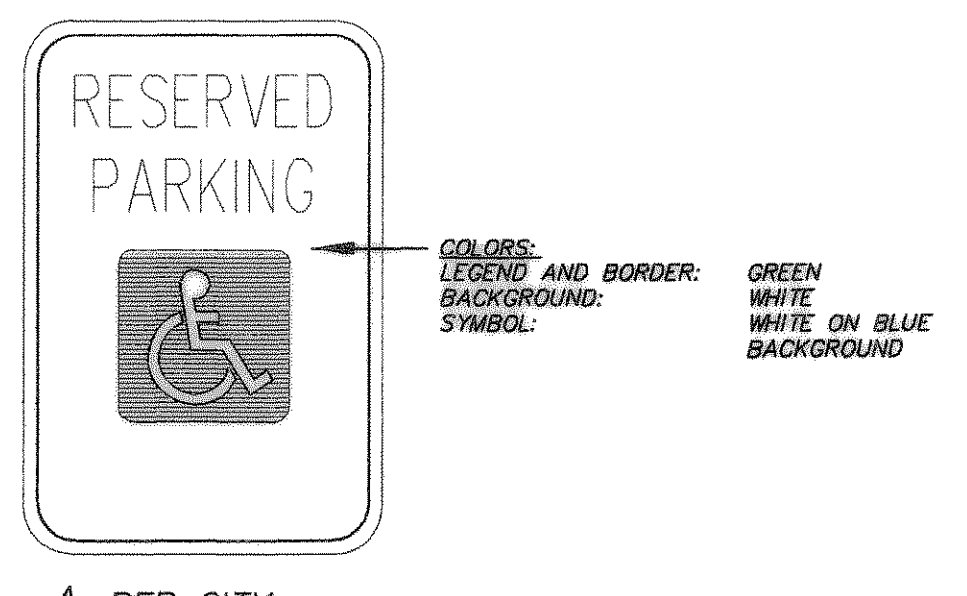
SILT FENCE STONE OVERFLOW STRUCTURE
NTS



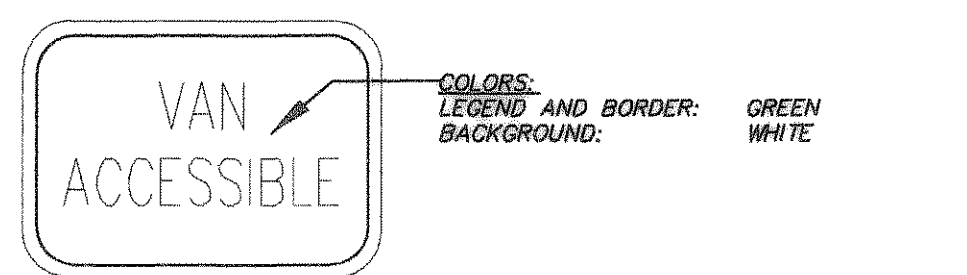
PAVEMENT STRIPING DETAIL
NTS



SIGNAGE DETAIL FOR ACCESSIBLE PARKING
NOT TO SCALE



A PER CITY REQUIREMENTS

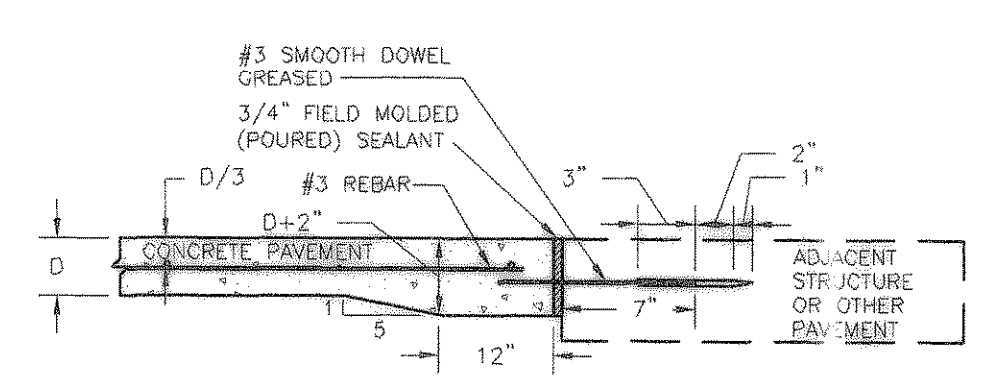


B PER CITY REQUIREMENTS

NOTES:
1. A SECTION OF FILTER FABRIC SHALL BE REMOVED AS SHOWN ON THIS DETAIL TO PROVIDE A 4" MINIMUM CLEAR OPENING. FABRIC MUST BE SECURED TO WIRE BACKING WITH CLIPS OR HOOD RINGS AT THIS LOCATION.
2. INSPECTION SHALL BE MADE BY THE CONTRACTOR AND SILT ACCUMULATION MUST BE REMOVED WHEN DEPTH REACHES 2".
3. CONTRACTOR SHALL MONITOR THE PERFORMANCE OF INLET PROTECTION DURING EACH RAINFALL EVENT AND IMMEDIATELY REMOVE THE INLET PROTECTIONS IF THE STORM-WATER BEGINS TO OVERTOP THE CURB.
4. INLET PROTECTIONS SHALL BE REMOVED AS SOON AS THE SOURCE OF SEDIMENT IS STABILIZED.

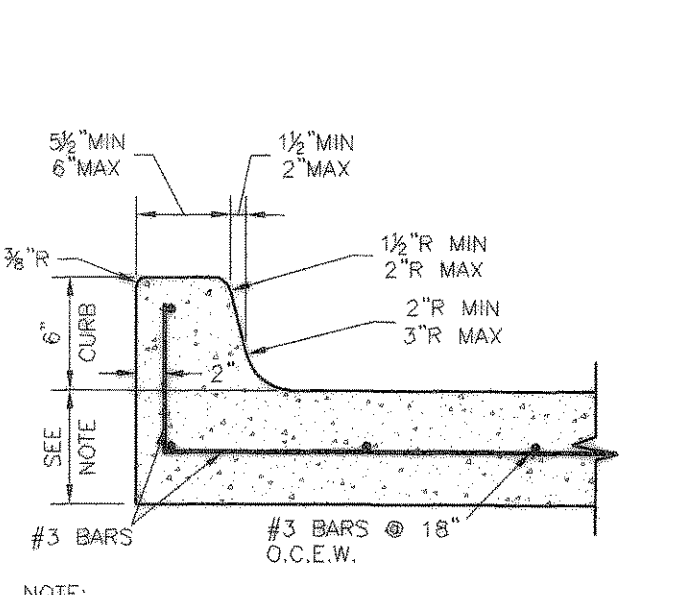
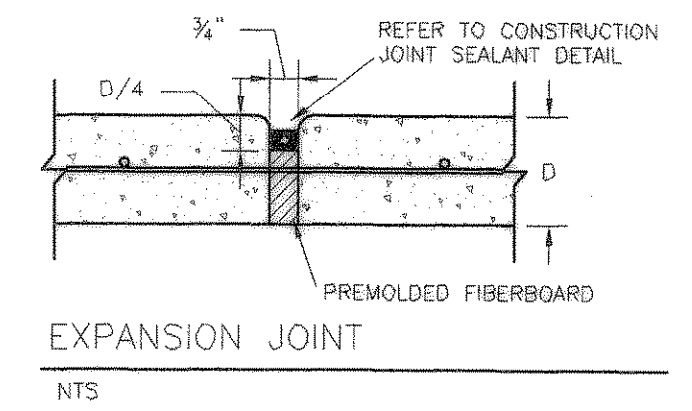
INLET OPENING	MINIMUM NUMBER OF SAND BAGS	
	TOP	FRONT
8"	2	3
10"	3	3
15"	3	4
20"	4	4

- SILT FENCE GENERAL NOTES**
- STEEL POSTS WHICH SUPPORT THE SILT FENCE SHALL BE INSTALLED ON A SLIGHT ANGLE TOWARD THE ANTICIPATED RUNOFF SOURCE. POST MUST BE EMBEDDED A MINIMUM OF ONE FOOT.
 - THE TOE OF THE SILT FENCE SHALL BE TRENCHED IN WITH A SPADE OR MECHANICAL TRENCHER, SO THAT THE DOWNSLOPE FACE OF THE TRENCH IS FLAT AND PERPENDICULAR TO THE LINE OF FLOW. WHERE FENCE CANNOT BE TRENCHED IN (e.g. PAVEMENT), WEIGHT FABRIC FLAP WITH ROCK ON UPHILL SIDE TO PREVENT FLOW FROM SEEPING UNDER FENCE.
 - THE TRENCH MUST BE A MINIMUM OF 6 INCHES DEEP AND 6 INCHES WIDE TO ALLOW FOR THE SILT FENCE FABRIC TO BE LAID IN THE GROUND AND BACKFILLED WITH COMPACTED MATERIAL.
 - SILT FENCE SHOULD BE SECURELY FASTENED TO EACH STEEL SUPPORT POST OR TO WOVEN WIRE, WHICH IN TURN IS ATTACHED TO THE STEEL FENCE POST. THERE SHALL BE A 3 FOOT OVERLAP, SECURELY FASTENED WHERE ENDS OF FABRIC MEET.
 - INSPECTION SHALL BE MADE EVERY TWO WEEKS AND AFTER EACH 1/2" RAINFALL. REPAIR OR REPLACEMENT SHALL BE MADE PROMPTLY AS NEEDED.
 - SILT FENCE SHALL BE REMOVED WHEN THE SITE IS COMPLETELY STABILIZED SO AS NOT TO BLOCK OR IMPEDE STORM FLOW OR DRAINAGE.
 - ACCUMULATED SILT SHALL BE REMOVED WHEN IT REACHES A DEPTH OF HALF THE HEIGHT OF THE FENCE. THE SILT SHALL BE DISPOSED OF AT AN APPROVED SITE AND IN SUCH A MANNER AS TO NOT CONTRIBUTE TO ADDITIONAL SILTATION.



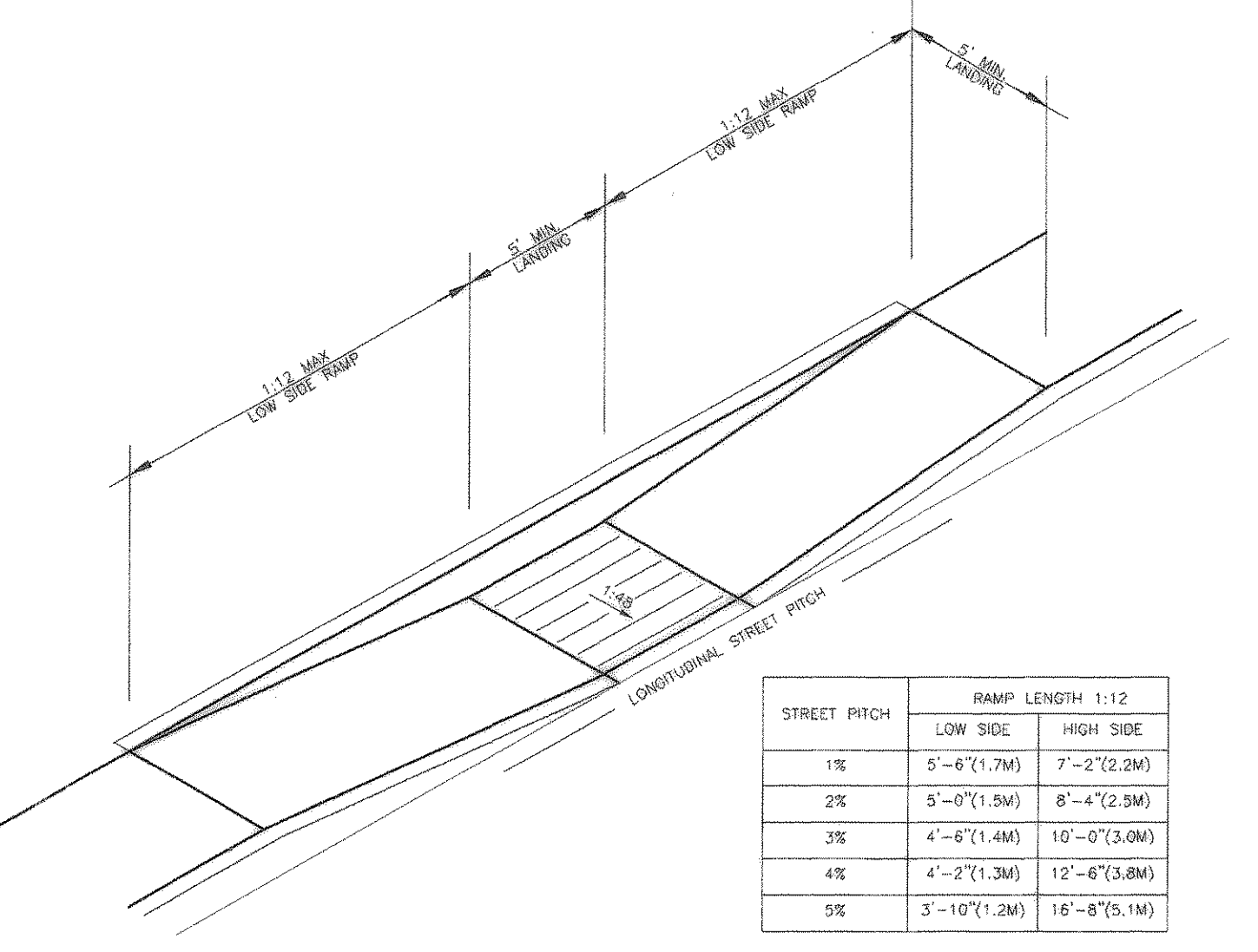
NOTE: DO NOT DOWEL TO ADJACENT STRUCTURES UNLESS OTHERWISE SPECIFIED.

EXPANSION JOINT AT EXISTING CONDITION
NTS

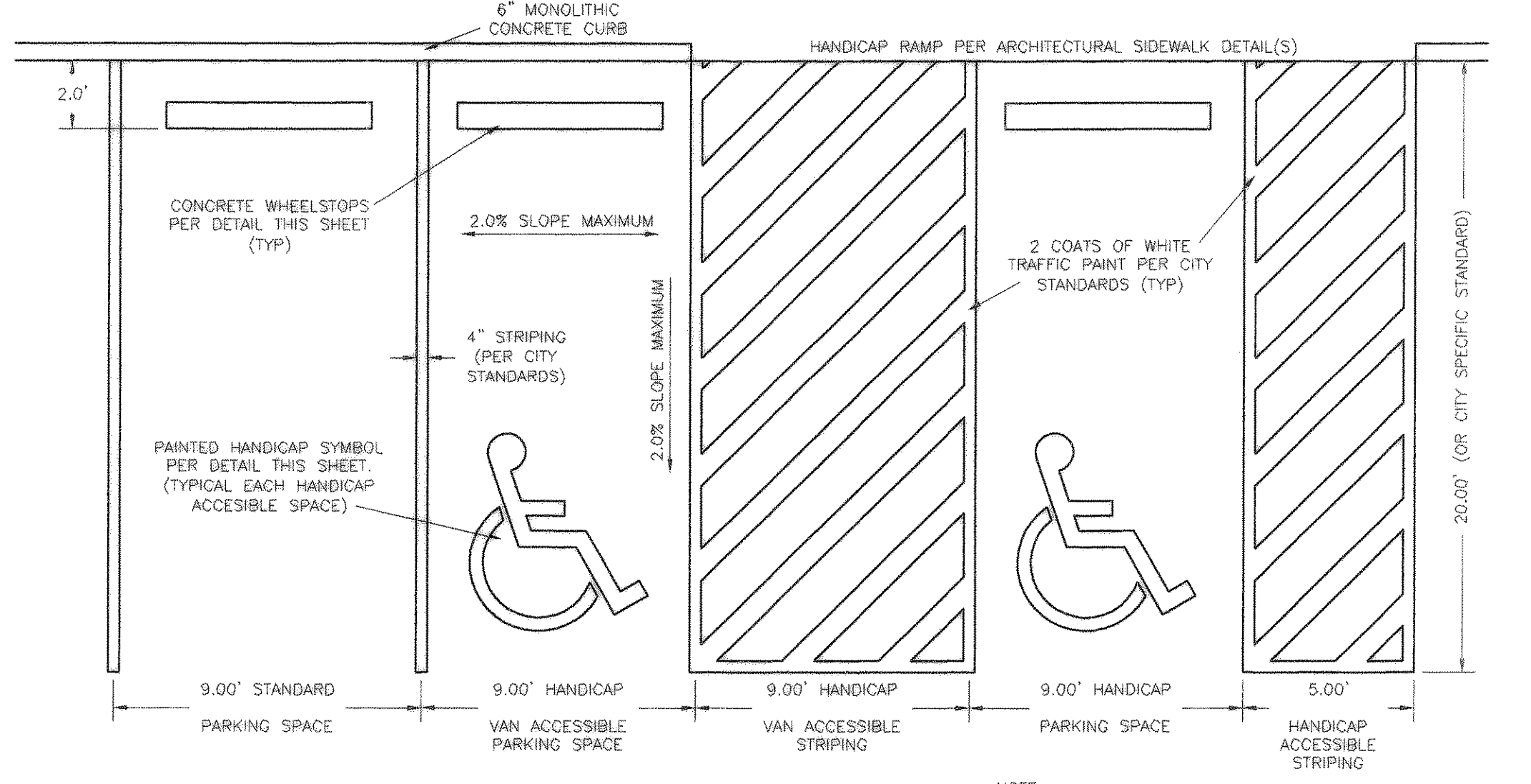


NOTE: THIS DIMENSION WILL VARY. REFER TO PAVEMENT SECTION DETAIL FOR HEAVY/REGULAR DUTY PAVEMENT DIMENSION.

PAVEMENT SECTION - MONOLITHIC CURB
NTS



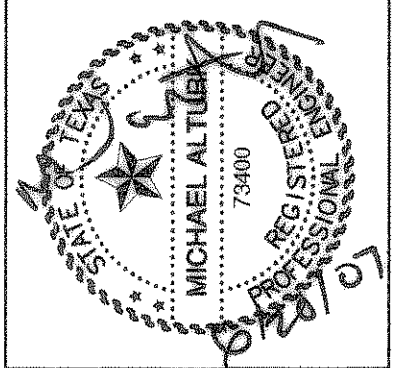
PARALLEL CURB RAMP
NOT TO SCALE



NOTE: SEE SITE DEVELOPMENT PLAN FOR PARKING DIMENSIONS. DIMENSIONS SHOWN ARE MINIMUM REQUIRED.

HANDICAPPED PAVEMENT STRIPING DETAIL
NTS

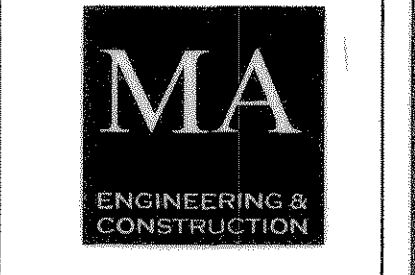
SCALE	DATE	BY	DESCRIPTION
1" = 4'-0"	5/30/06		ISSUE FOR PERMIT
1" = 4'-0"	6/07/06		ISSUE FOR PERMIT
1" = 4'-0"	12/14/06		REVISE SANITARY SEWER PER PRIVATE 84" WATER LINE
1" = 4'-0"	6/4/07		REVISE STORM SEWER AND CURB INLET
1" = 4'-0"	5/30/06		RECORD DRAWING



SUBWAY / GATEWAY / HEALTH FOOD STORE
STATE HIGHWAY 276 & F.M. 549
ROCKWALL, ROCKWALL COUNTY, TEXAS

CONSTRUCTION DETAILS

1120 S. FREEWAY SUITE 118
FT WORTH, TX 76104
PHONE (817) 271-0066
FAX (817) 786-1042



SHEET
C-6.0