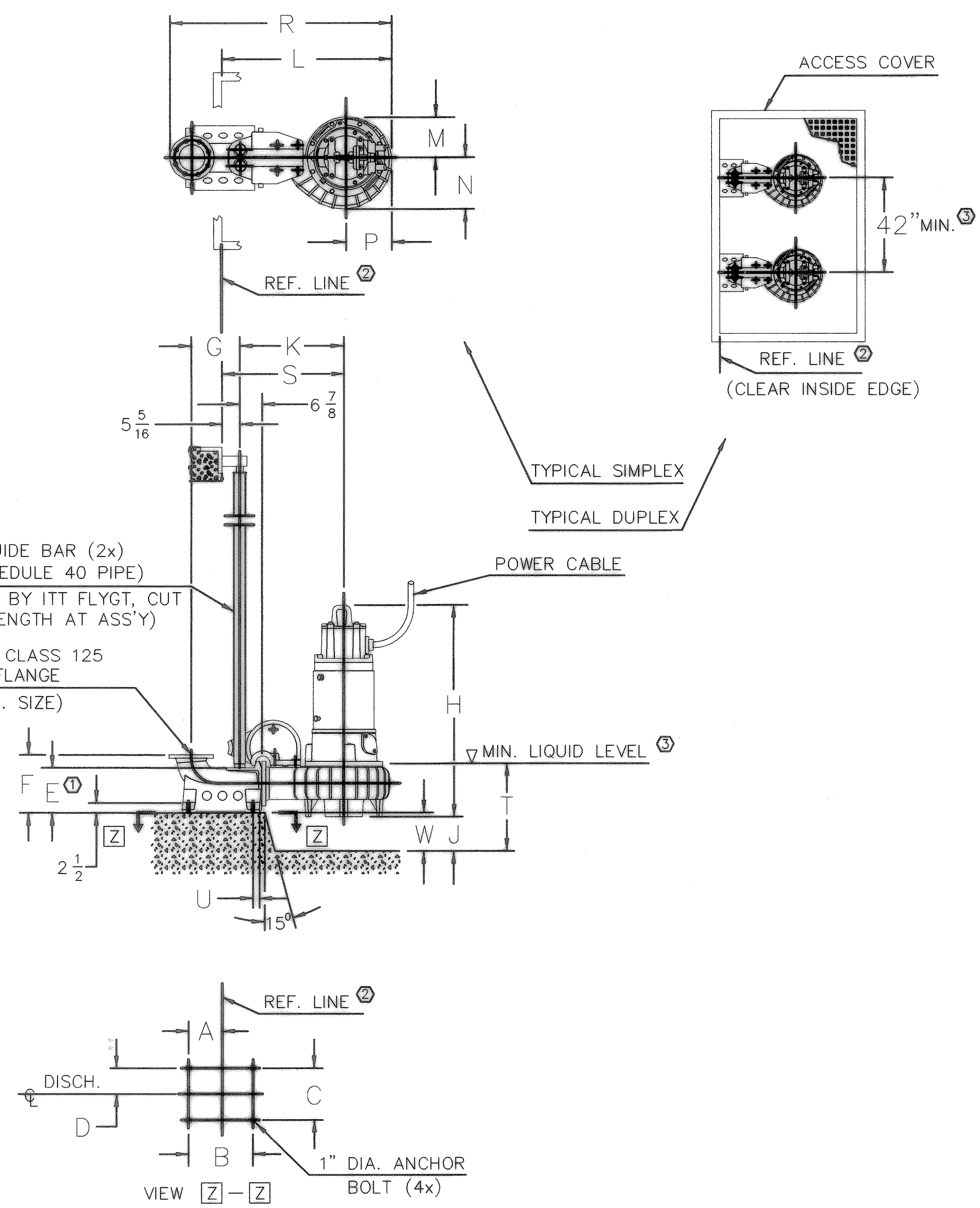


THE SEAL APPEARING ON THIS DOCUMENT WAS AUTHORIZED BY W.L. DOUPHRATE II TEXAS P.E. NO. 60102 ON 1/12/08

DOUPHRATE & ASSOCIATES, INC.
ENGINEERING - PROJECT MANAGEMENT - SURVEYING
2235 RIDGE RD., # 200 ROCKWALL, TEXAS 75087
PHONE: (972)771-9004 FAX: (972)771-9005

DIMENSIONAL DWG. - CP-3231 600 D.U.
ULTIMATE BUILT-OUT LIFT STATION
STONEY HOLLOW ADDITION
CITY OF ROCKWALL, ROCKWALL COUNTY, TEXAS



- NOTES:
1. DIM. TO ENDS OF GUIDE BARS.
 2. REPRESENTS CLEAR INSIDE EDGE OF ACCESS FRAME OR OPENING.
 - * 3. RECOMMENDED VALUE VARIES WITH FLOW, SEE SEP. BROCHURE "PUMPING STATIONS WITH LARGE SUBMERSIBLE CENTRIFUGAL PUMPS"
 4. EXPLOSION-PROOF DRIVE UNITS ARE IN PARENTHESES.

NOM. SIZE	DRIVE UNIT	MOTOR	WEIGHT(LBS)	
			PUMP	DISCH
8"	605 (615)	35-29-XX	2555	275
8"	665 (675)	35-35-XX	2840	275
8"	665 (675)	35-45-XX	2905	275

REVISED TO CONFORM TO CONSTRUCTION RECORDS.
[Signature] DATE: 1/12/08

ALL DIMENSIONS IN INCHES

NOM. SIZE	DRIVE UNIT	DIMENSIONAL CHART																			
		A	B	C	D	E	F	G	H	J	K	L	M	N	P	R	S	T	U	V	W
8"	605 (615)	9 7/8	19 3/4	15 3/4	7 7/8	13 1/2	17 3/4	14 3/4	63 3/4	10 3/4	32	51 1/4	12 3/4	15 1/4	14	67 1/2	37 1/4	30	2	*	12
8"	665 (675)	9 7/8	19 3/4	15 3/4	7 7/8	13 1/2	17 3/4	14 3/4	70 1/2	10 3/4	32	51 1/4	12 3/4	15 1/4	14	67 1/2	37 1/4	*	2	*	12

REVISION
W.L.D.
CHECKED
K.E.B.
DRAWN
2/01
DATE
9907LS3
PROJECT
37
OF
48