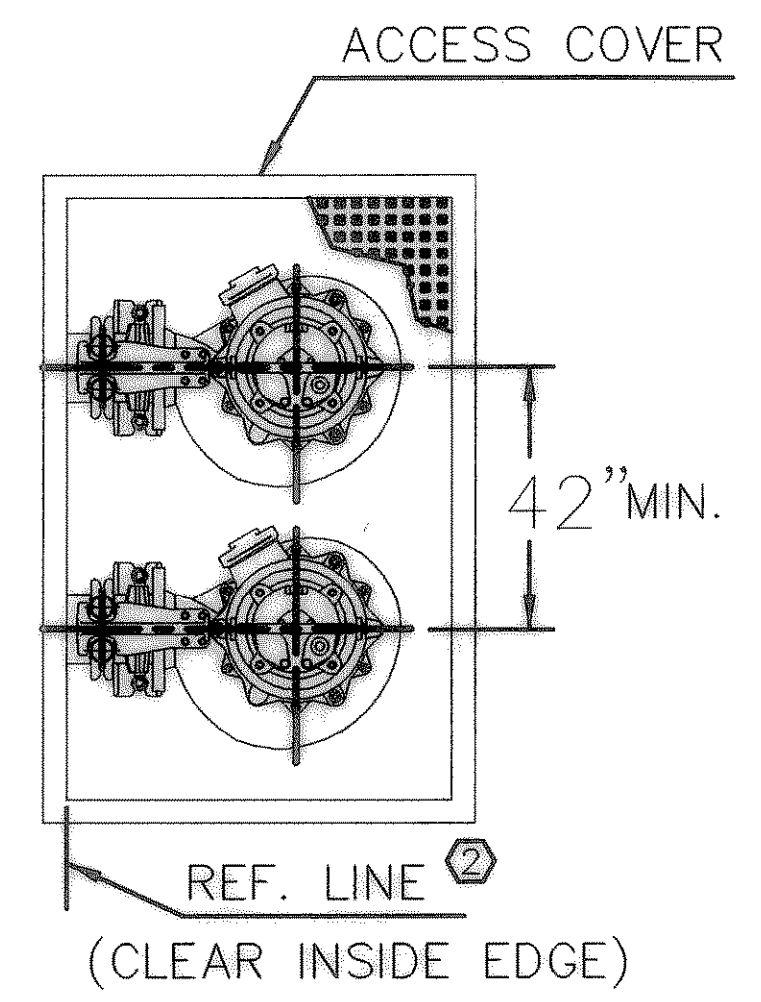
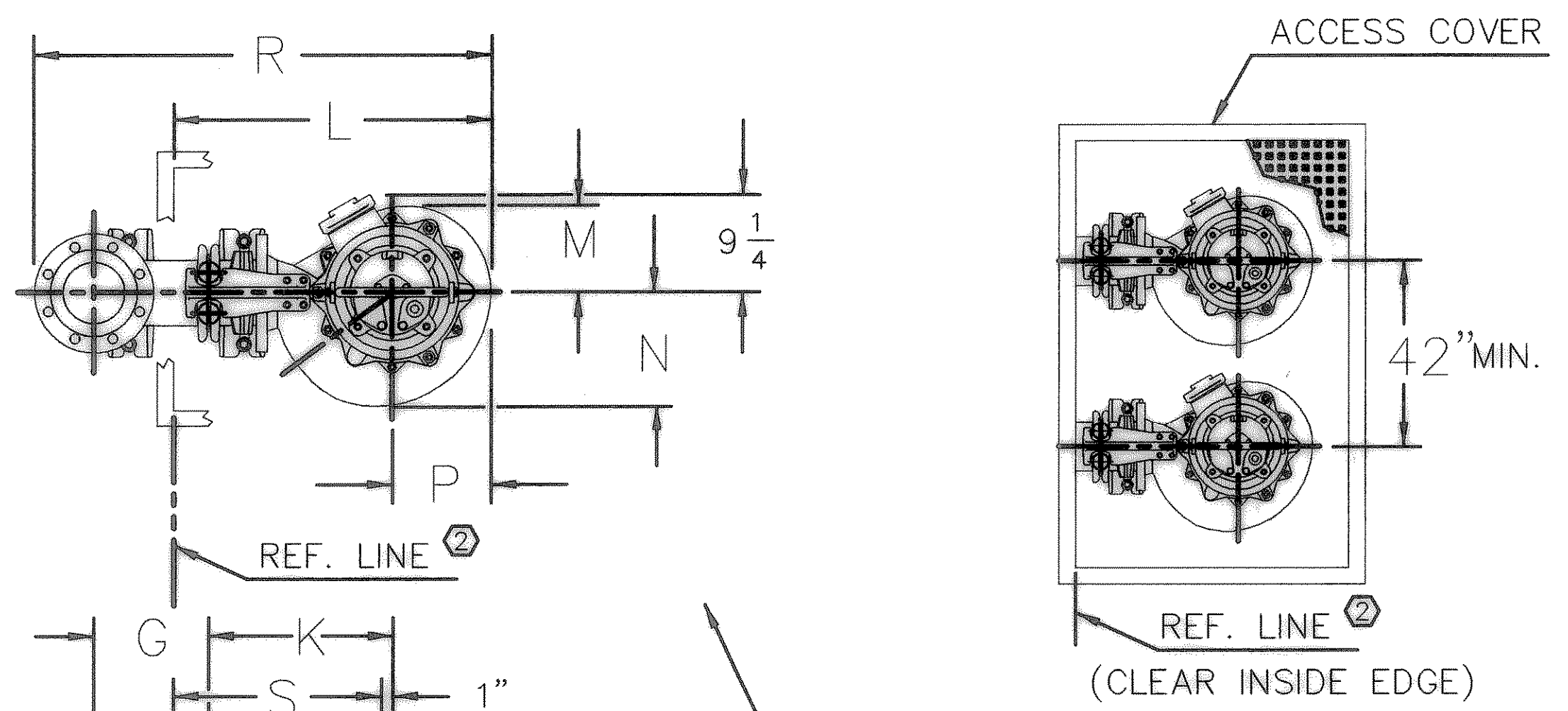


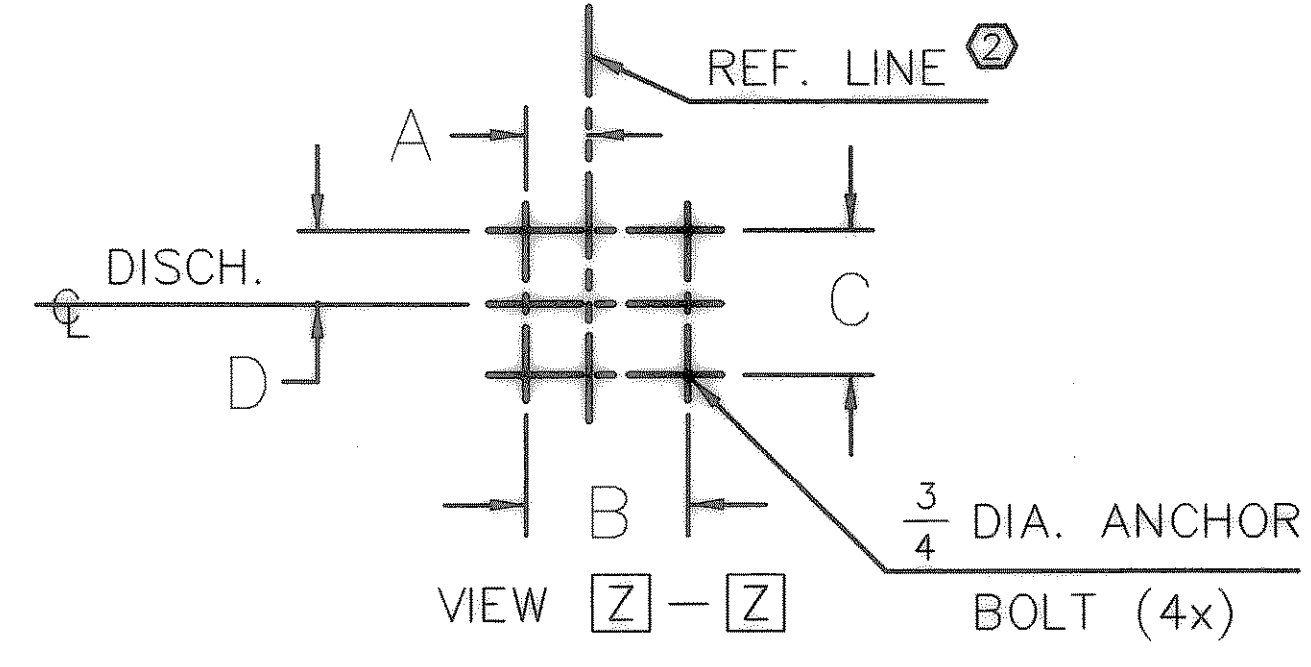
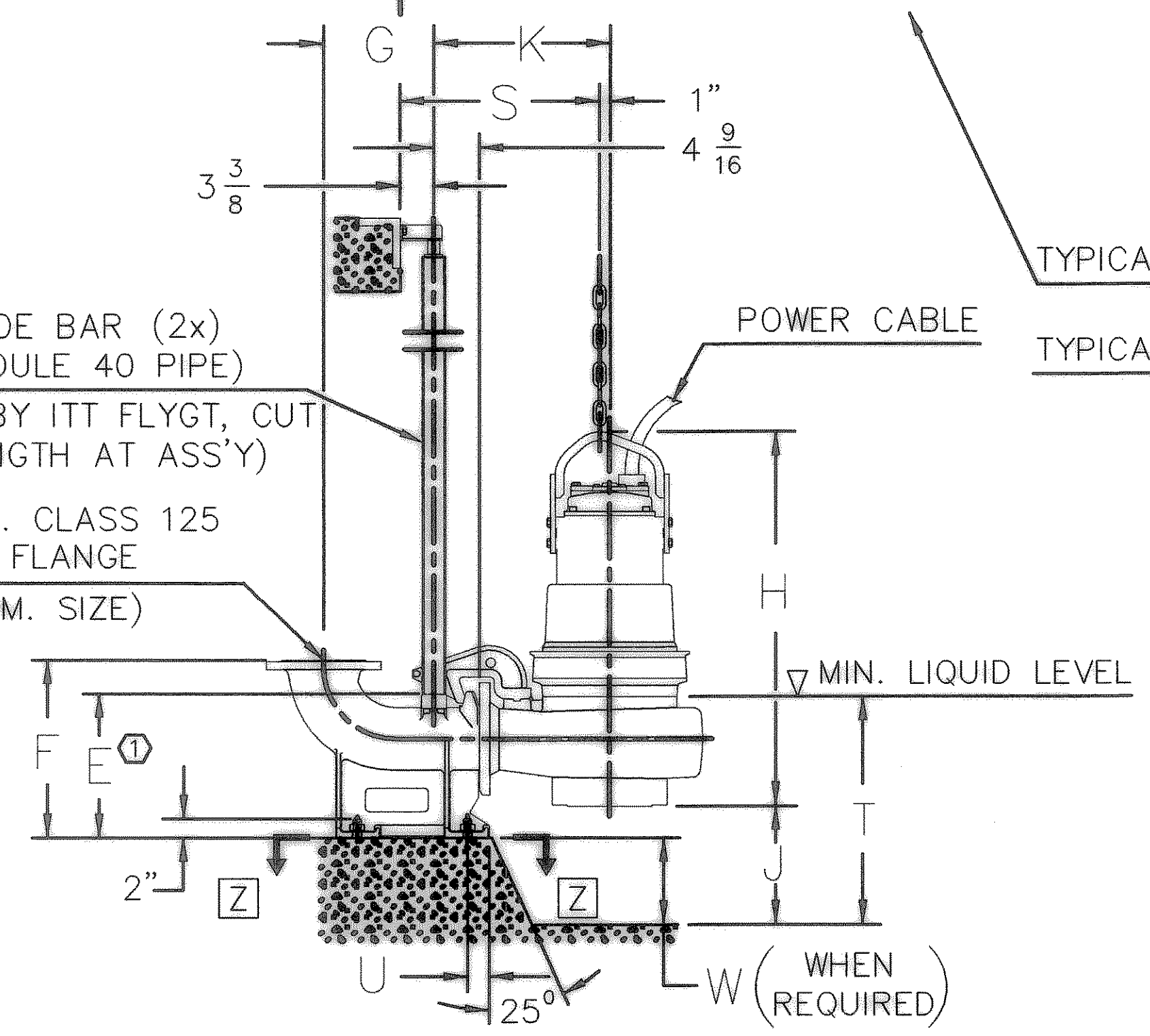
DOUPHRATE & ASSOCIATES, INC.  
 ENGINEERING - PROJECT MANAGEMENT - SURVEYING  
 2235 RIDGE RD., # 200 ROCKWALL, TEXAS 75087  
 PHONE: (972)771-9004 FAX: (972)771-9005

DIMENSIONAL DWG. CP/NP - 3152  
 PHASE ONE - LIFT STATION  
 STONEY HOLLOW ADDITION  
 CITY OF ROCKWALL, ROCKWALL COUNTY, TEXAS



2" GUIDE BAR (2x)  
 (SCHEDULE 40 PIPE)  
 (NOT BY ITT FLYGT, CUT  
 TO LENGTH AT ASS'Y)

STD. CLASS 125  
 C.I. FLANGE  
 (NOM. SIZE)



- NOTES:
1. DIM. TO ENDS OF GUIDE BARS.
  2. REPRESENTS CLEAR INSIDE EDGE OF ACCESS FRAME OR OPENING.

NOM. SIZE	TYPE	VERSION	WEIGHT(LBS)	
			PUMP	DISCH
4"	CP	SH/HT	595	80
6"	CP	HT	610	120
6"	CP/NP	MT	610	120
8"	CP/NP	MT	610	145
10"	CP	LT	900	220
12"	CP	LT	900	455

REVISED TO CONFORM TO CONSTRUCTION RECORDS.  
 [Signature]  
 DATE: 4/2/08

ALL DIMENSIONS IN INCHES

NOM. SIZE	TYPE	VERSION	DIMENSIONAL CHART																			
			A	B	C	D	E	F	G	H	J	K	L	M	N	P	R	S	T	U	V	W
4"	CP	SH/HT	2 3/4	9 7/8	8	4	10 1/4	15 3/4	10	36	3 1/2	17 1/2	29 1/2	8 1/4	9	8 3/4	40 1/2	20	13	2 3/4	21 3/4	0
6"	CP	HT	4 1/4	11	10	5	14 1/2	17 3/4	11	36	4 1/2	17 1/2	29 3/4	8 1/4	9 1/2	9	43 1/4	20	14	2 1/4	21 3/4	0
6"	CP/NP	MT	4 1/4	11	10	5	14 1/2	17 3/4	11	37 1/2	6 1/4	17 1/2	30 1/2	8 1/4	10 3/4	9 1/2	43 3/4	20	17	2 1/4	23 3/4	3
8"	CP/NP	MT	5 1/2	11	10	5	16	17 3/4	12 1/4	37 1/2	6	17 1/2	30 1/2	8 1/4	10 3/4	9 1/2	46	20	17	2 1/4	23 3/4	2 1/2
10"	CP	LT	14 1/8	19 3/4	10	5	15 3/4	17 3/4	14 1/4	41 1/2	6 3/4	22 1/4	38	10	14 1/2	12 1/2	56 3/4	24 3/4	22	2 1/4	29 1/2	6
12"	CP	LT	9 5/8	19 3/4	19 3/4	9 7/8	26 3/4	31 1/2	17 1/4	41 3/4	11 3/4	22 1/4	38	10	14 1/2	12 1/2	61 1/4	24 3/4	27	3	29 1/2	0

REVISION  
 CHECKED W.L.D.  
 DRAWN K.E.B.  
 DATE 2/01  
 PROJECT 9907LS2