

DEPTH OF WELL
19.5 FT

FUTURE PUMPS
SUBMERSIBLE PUMP
FLYGT CP 3231
90 HP, 1815 GPM
(2.61 MGD)

SUBMERSIBLE PUMP
FLYGT NP 3152 MT
20 HP, 715 GPM
(1.02 MGD)

CONTROL PANEL MUST BE MIN 1' ABOVE LIFT STATION ELEV.

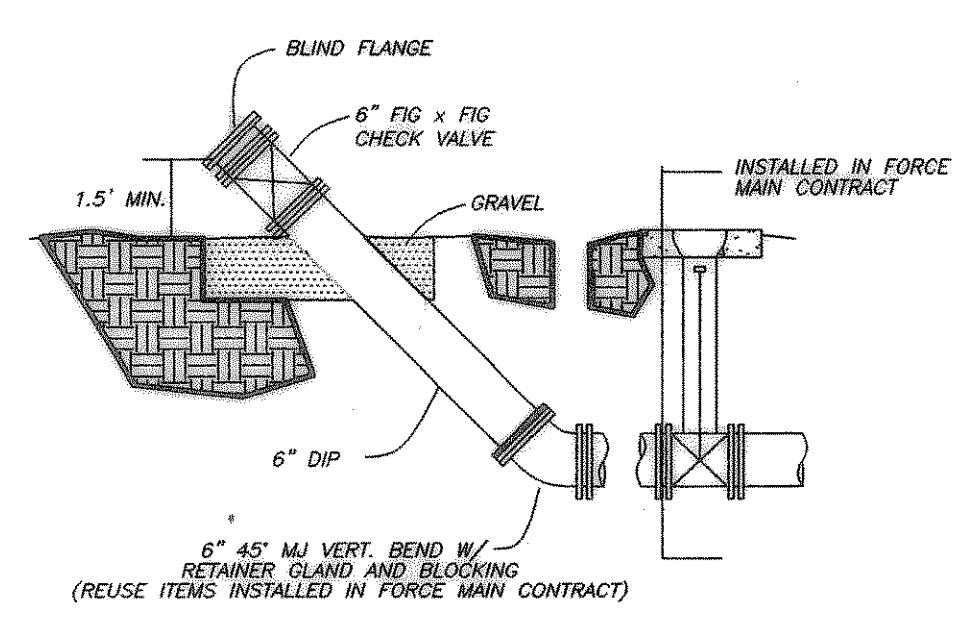
ELECTRICAL CONTROL CENTER
SUBJECT TO CITY OF ROCKWALL SPECIFICATIONS
(WALL, POLE, OR PEDESTAL MOUNTING)

JUNCTION BOXES & GENERATOR (NOT SHOWN)
FOR THE PUMP CABLES MUST BE LOCATED ABOVE
THE FLOOD ELEVATION = 496.98

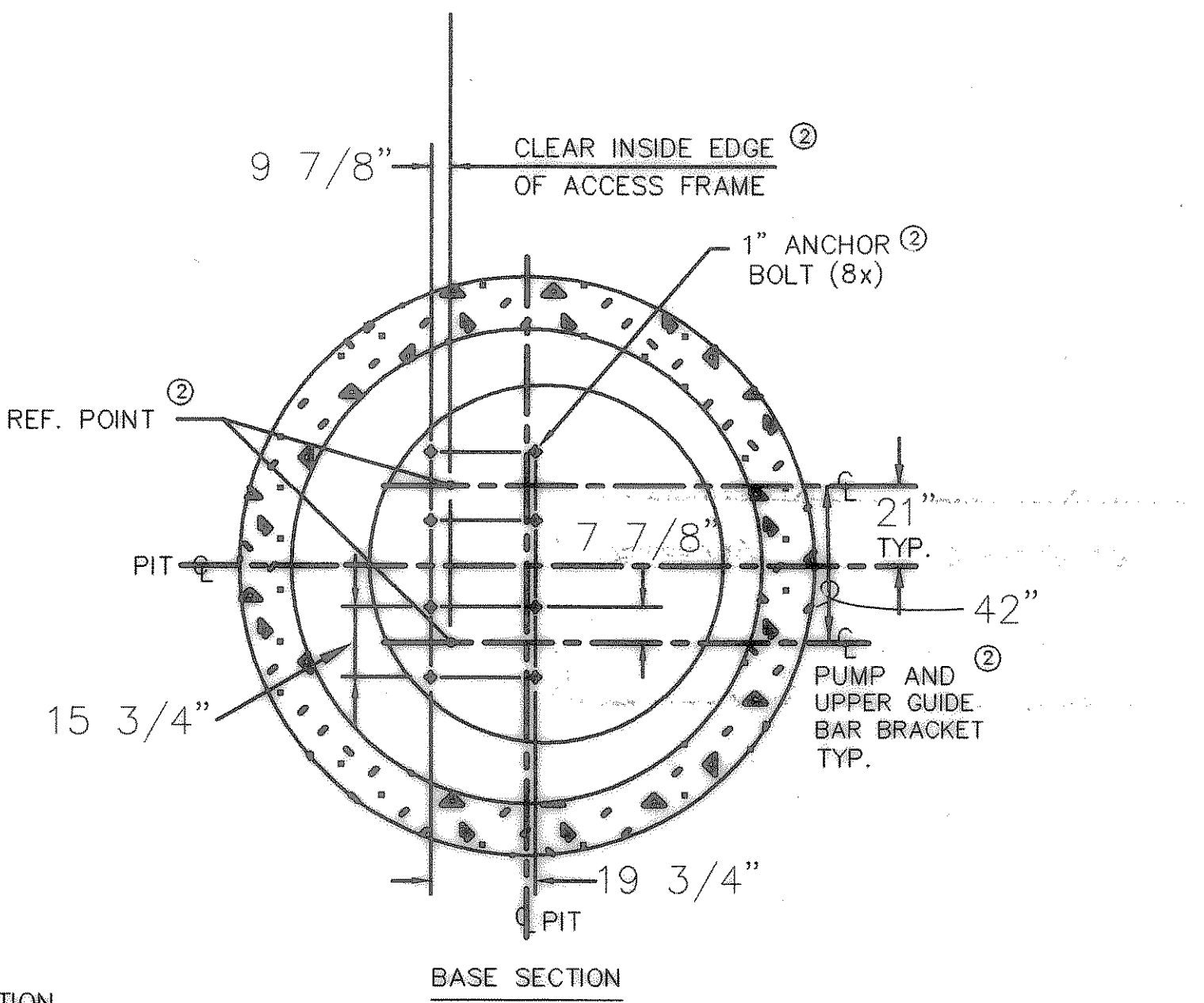
ALARM ON 490.0 FT (PHASE 1)
ALARM ON 490.5 FT (ULTIMATE)
LAG PUMP ON 486.0 FT (PHASE 1)
LAG PUMP ON 489.5 FT (ULTIMATE)
FLOAT BALL (4x DUPLEX)
LEAD PUMP ON 485.0 FT (PHASE 1)
LEAD PUMP ON 488.5 FT (ULTIMATE)
2" GUIDE BAR, GALVANIZED
(SCHEDULE 40 PIPE)
(4x DUPLEX)
PREFABRICATED REINFORCED
CONCRETE PIPE
MIN. LIQUID LEVEL MUST NOT
FALL BELOW TOP OF VOLUTE
PUMPS OFF 482.5 FT (PHASE I)
PUMPS OFF 483.5 FT (ULTIMATE)
(ALSO ALTERNATES
LEAD / LAG SEQUENCE)
1.5' OR 2.5'
BASE ELEVATION 481.0 FT

NOTES:

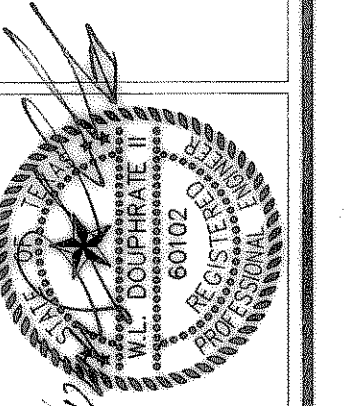
- INDICATES INFORMATION TO BE DETERMINED BY OTHERS.
- LOCATE ANCHOR BOLTS USING CLEAR INSIDE EDGE OF ACCESS FRAME AND CENTER LINE OF PUMP AS REF. POINT. BOLT LOCATIONS MUST BE HELD TO MAINTAIN EXACT POSITION OF PUMP RELATIVE TO ACCESS FRAME.
- GROUT OPENING FOR ACCESS FRAME.
- COVER SHOWN (FLED-0-60X78AO" LIGHT DUTY) IS FOR STANDARD DUTY ANGLE FRAME. FOR ADDITIONAL DIMENSIONS ON STANDARD DUTY TROUGH FRAME, HEAVY DUTY ANGLE FRAME AND HEAVY DUTY TROUGH FRAME, CONSULT ITT FLYGT CORP. ENGINEERING DEPT.
- CONFIGURATION AND DIMS. SHOWN ARE SUGGESTED REQUIREMENTS ONLY. ALL DETAILS, INCLUDING SIZING OF PIT, TYPE, LOCATION AND ARRANGEMENT OF VALVES AND PIPING, ETC. ARE TO BE SPECIFIED BY THE CONSULTING ENGINEER AND ARE SUBJECT TO HIS APPROVAL.
- INSTALL A PLUG/BRAKER FOR A PORTABLE GENERATOR IN THE ELECTRICAL PANEL (IF THE CITY REQUIRES ONE).
- EMERGENCY BY-PASS LINE SHALL NOT BE INSTALLED UNDER ANY CONCRETE, PAVING, SLAB, BUILDING, E.T.C.
- CONTRACTOR TO GROUT FILL THE BOTTOM OF WETWELL AS RECOMMENDED BY PUMP SUPPLIER.
- CONTRACTOR IS RESPONSIBLE FOR PROVIDING & INSTALLING PERMANENT GENERATOR FOR ULTIMATE PUMPS.
- ALL LIFT STATION APPURTENANCES SHALL BE INSTALLED FOR THE ULTIMATE SIZE LIFT STATION TO ALLOW THE CITY TO UPGRADE PUMPS TO CP3231 WITHOUT ANY MODIFICATIONS TO THE LIFT STATION
- THE CITY OF ROCKWALL REQUIRES THE USE OF A MODICON 612 PLC FOR THIS LIFT STATION AND THE CONTROL PANEL SHALL BE PEDESTAL MOUNTED.
- VENT SCREEN. WELD 3/8" X 9" O.D. PLATE FLANGE TO END OF ELL. PROVIDE COMPANION PLATE FLANGE TO HOLD BUG SCREEN WITH NOT LESS THAN 6 BOLTS. ALL MATERIALS TO BE HOT-DIP GALVANIZED. BUG SCREEN SHALL BE STAINLESS STEEL 8 MESH.
- PHASE I OF THE LIFT STATION INCLUDES PUMPS AND STORAGE FOR: RISK #4, STONEY HOLLOW, CATHOLIC DIOCESE TRACT, & NELSON LAKE.



EMERGENCY BY-PASS DETAIL
N.T.S.



REVISED TO CONFORM TO CONSTRUCTION RECORDS.
DATE: 4/2/04



THE SEAL APPEARING ON THIS DOCUMENT WAS AUTHORIZED BY THE BOARD OF ENGINEERS AND SURVEYORS OF THE STATE OF TEXAS ON 8/5/02

DOUPHRATE & ASSOCIATES, INC.
ENGINEERING PROJECT MANAGEMENT SURVEYING
2231 RIDGE RD., # 200 ROCKWALL, TEXAS 75087
PHONE: (972)771-9004 FAX: (972)771-9005

DIMENSIONAL PLAN
THOMPSON BRANCH LIFT STATION
CITY OF ROCKWALL
ROCKWALL COUNTY TEXAS

REVISION	
W.L.D. CHECKED	
K.E.B. DRAWN	
DATE	2/8/01
PROJECT	9907-LS1