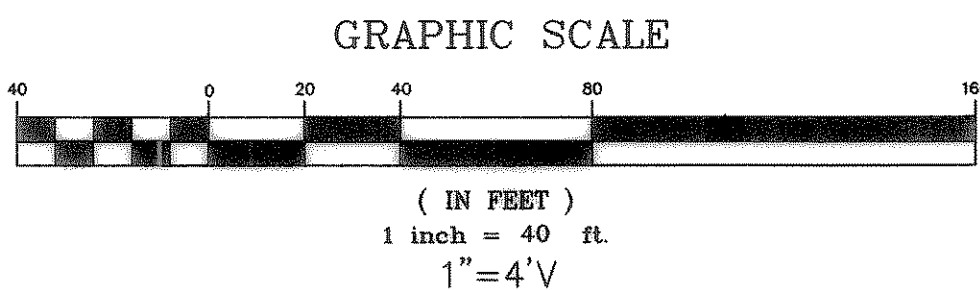


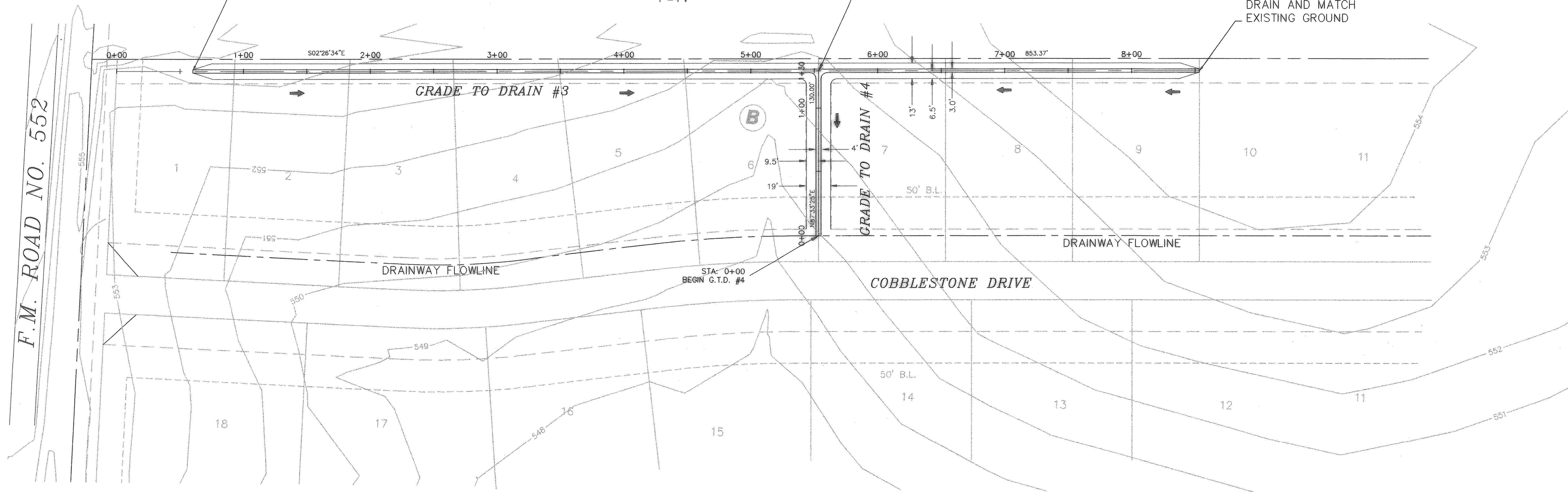
F.M. ROAD NO. 552

STA. 0+60.06  
START GRADE TO  
DRAIN AND MATCH  
EXISTING GROUND

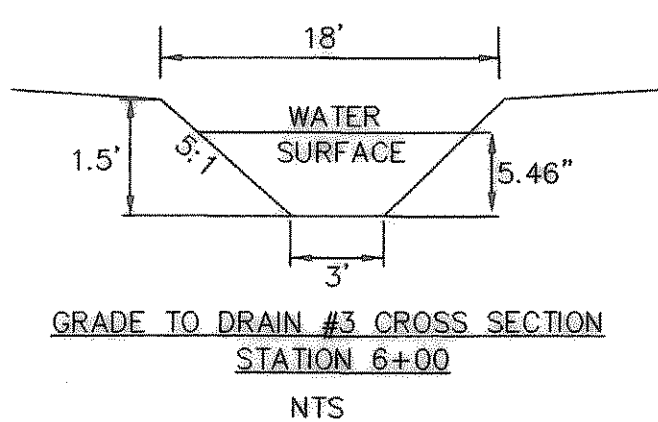
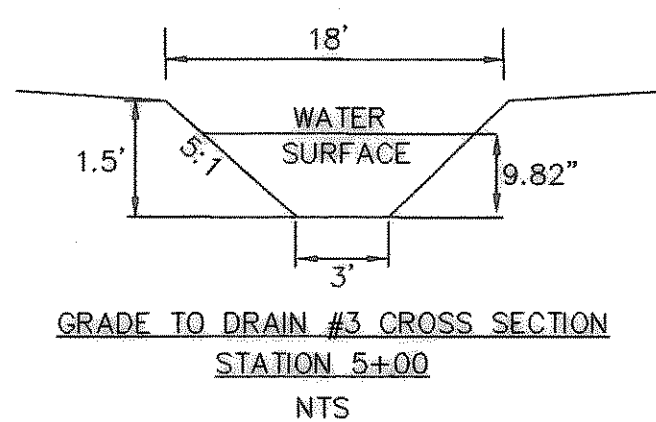
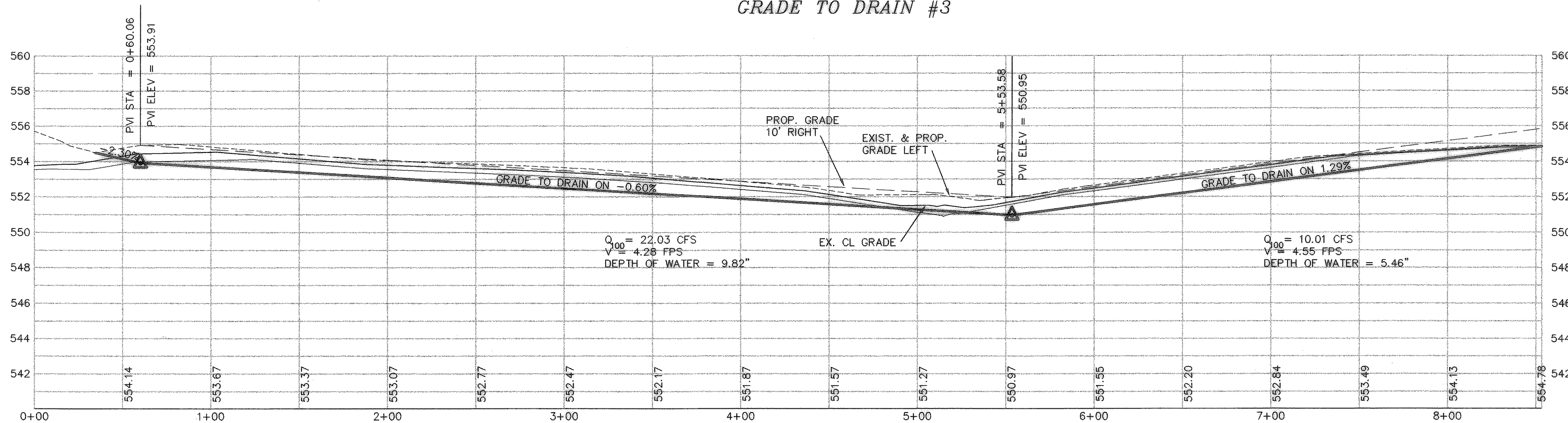


STA. 1+30 G.T.D. #4=  
STA. 5+53.37 G.T.D. #3

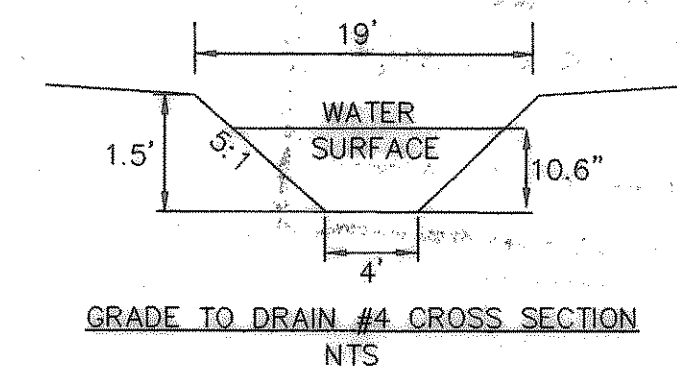
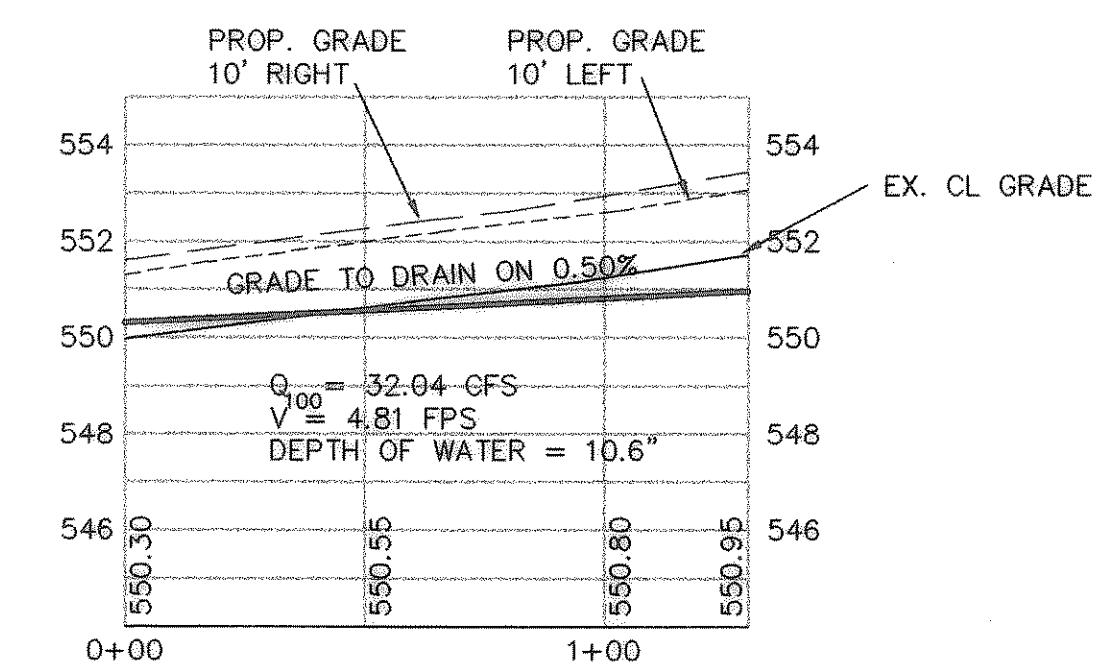
STA. 8+53.13  
END GRADE TO  
DRAIN AND MATCH  
EXISTING GROUND



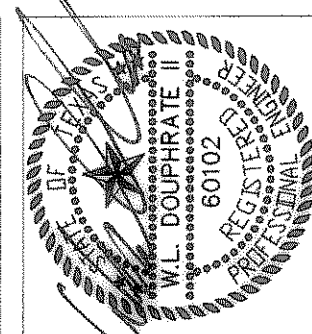
GRADE TO DRAIN #3



GRADE TO DRAIN #4



REVISED TO CONFORM TO CONSTRUCTION RECORDS.  
DATE: 4/12/02



THE SEAL APPEARING ON THIS DRAWING IS AUTHORIZED BY THE BOARD OF PROFESSIONAL ENGINEERS OF THE STATE OF TEXAS. NO. 60102 ON 5/2/02

**DOUPHRADE & ASSOCIATES, INC.**  
ENGINEERING - PROJECT MANAGEMENT - SURVEYING  
2235 RIDGE RD., # 200 ROCKWALL, TEXAS 75087  
PHONE: (972)771-9004 FAX: (972)771-9005

STORM SEWER PLAN & PROFILE  
GRADE TO DRAIN 3 & 4  
STONE HOLLOW ADDITION  
CITY OF ROCKWALL, ROCKWALL COUNTY, TEXAS

REVISION	
CHECKED	W.L.D.
DRAWN	K.E.B.
DATE	4/02
PROJECT	9907 STM5
	32B OF