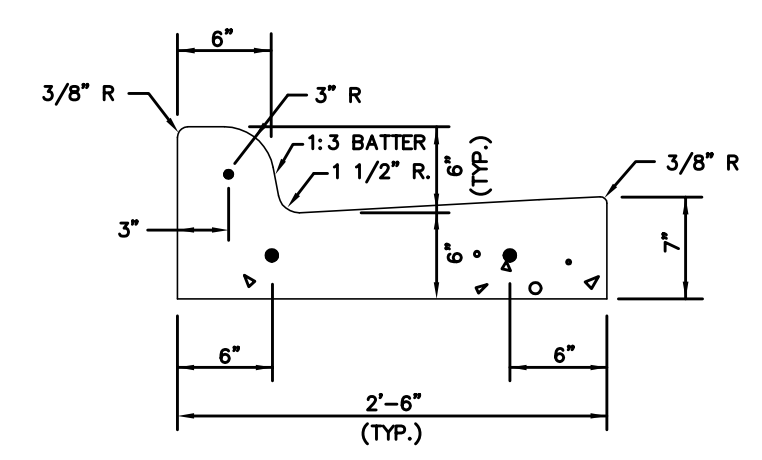
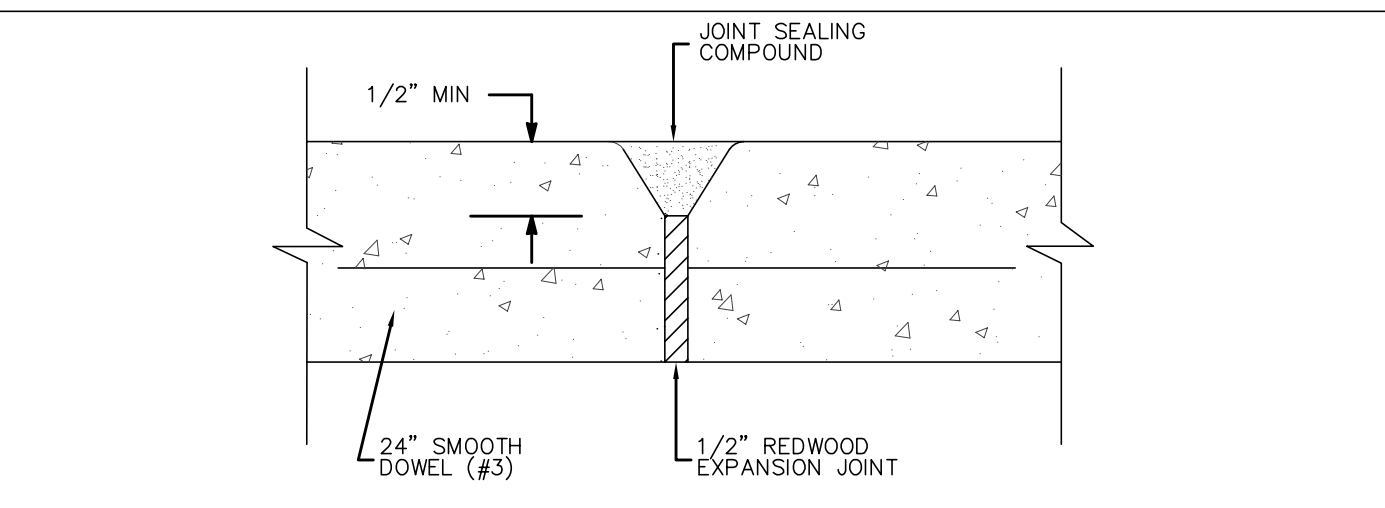


6" INTEGRAL CURB
NOT TO SCALE

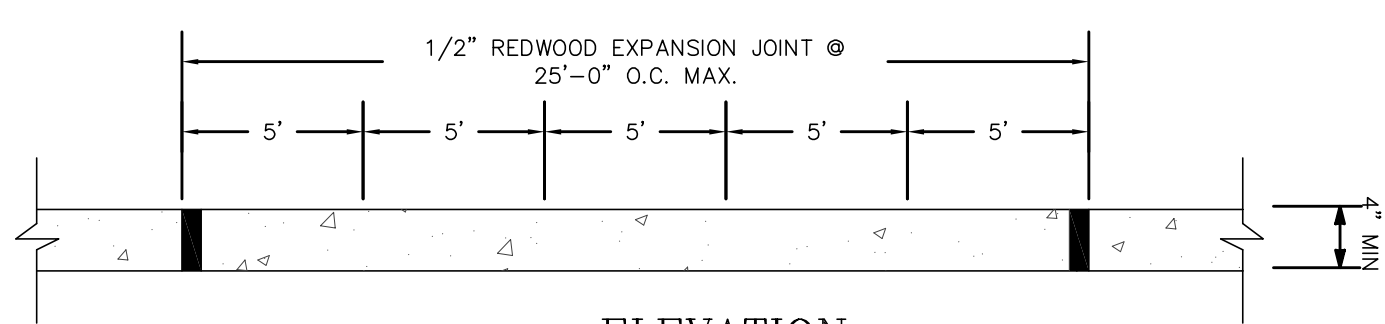
- NOTES:
1. REINFORCEMENT SHALL BE NO. 4 BARS. CONCRETE SHALL BE CLASS "C".
 2. ALL CURBS ARE CONSTRUCTED OF PORTLAND CEMENT CONCRETE UNLESS OTHERWISE SHOWN.
 3. GRADE SHALL BE MEASURED AT BACK OF CURB.



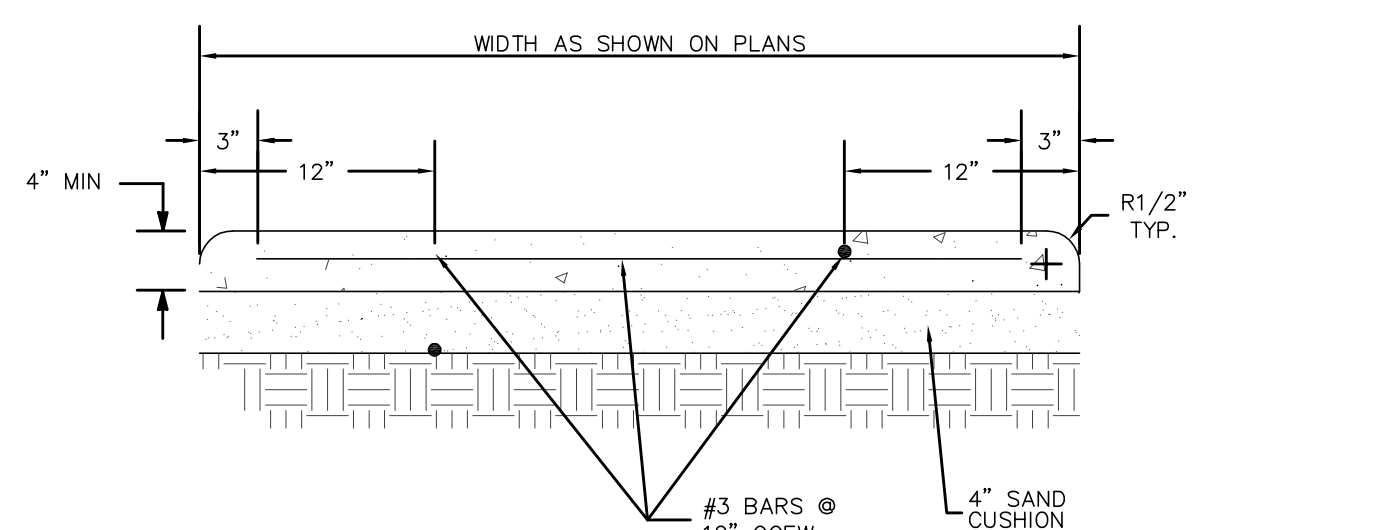
SEPARATE CURB & GUTTER
NOT TO SCALE



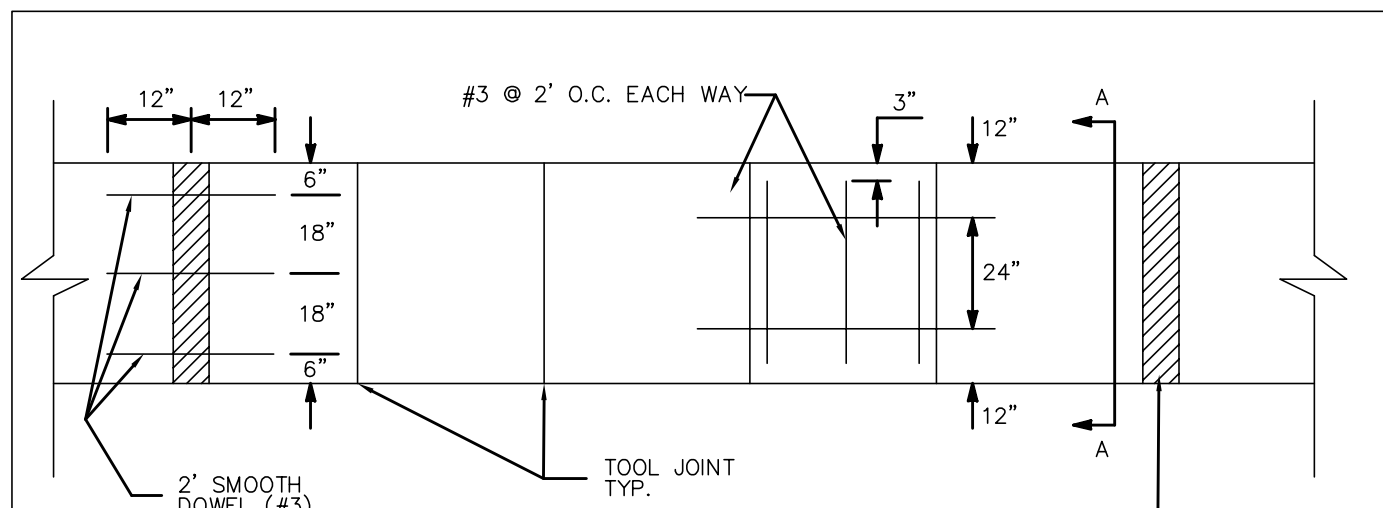
SIDEWALK EXPANSION JOINT DETAIL
NOT TO SCALE



ELEVATION
NOT TO SCALE

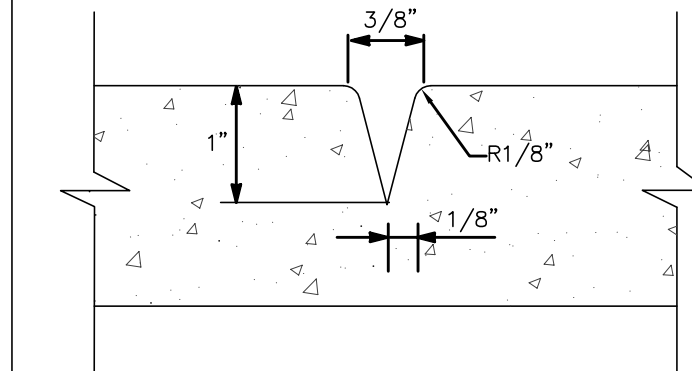


SIDEWALK DETAILS
NOT TO SCALE



PLAN
NOT TO SCALE

- SIDEWALK:
- A. REQUIRED MIN. COMPRESSIVE STRENGTH OF CONG. = 3000 PSI @ 28 DAYS.
 - B. A MIN. 4" SAND CUSHION SHALL BE PLACED ON A SUBGRADE COMPACTED TO 95% STD. PROCTOR DENSITY AND SAND SHALL BE COMPACTED TO 98% STD. PROCTOR DENSITY.
 - C. FORMS SHALL BE SET TRUE TO LINE AND GRADE AND SHALL BE A MIN. OF 5-1/2" DEEP.
 - D. FORMS SHALL BE SET UP SO THAT NO CONCRETE MAY FLOW UNDER THEM.
 - E. ASPHALT COAT OR DOWEL SLEEVE THROUGH SECOND POUR.
 - F. CONTRACTOR MUST SAWCUT EXISTING SIDEWALK AT EXISTING GROOVE JOINT.

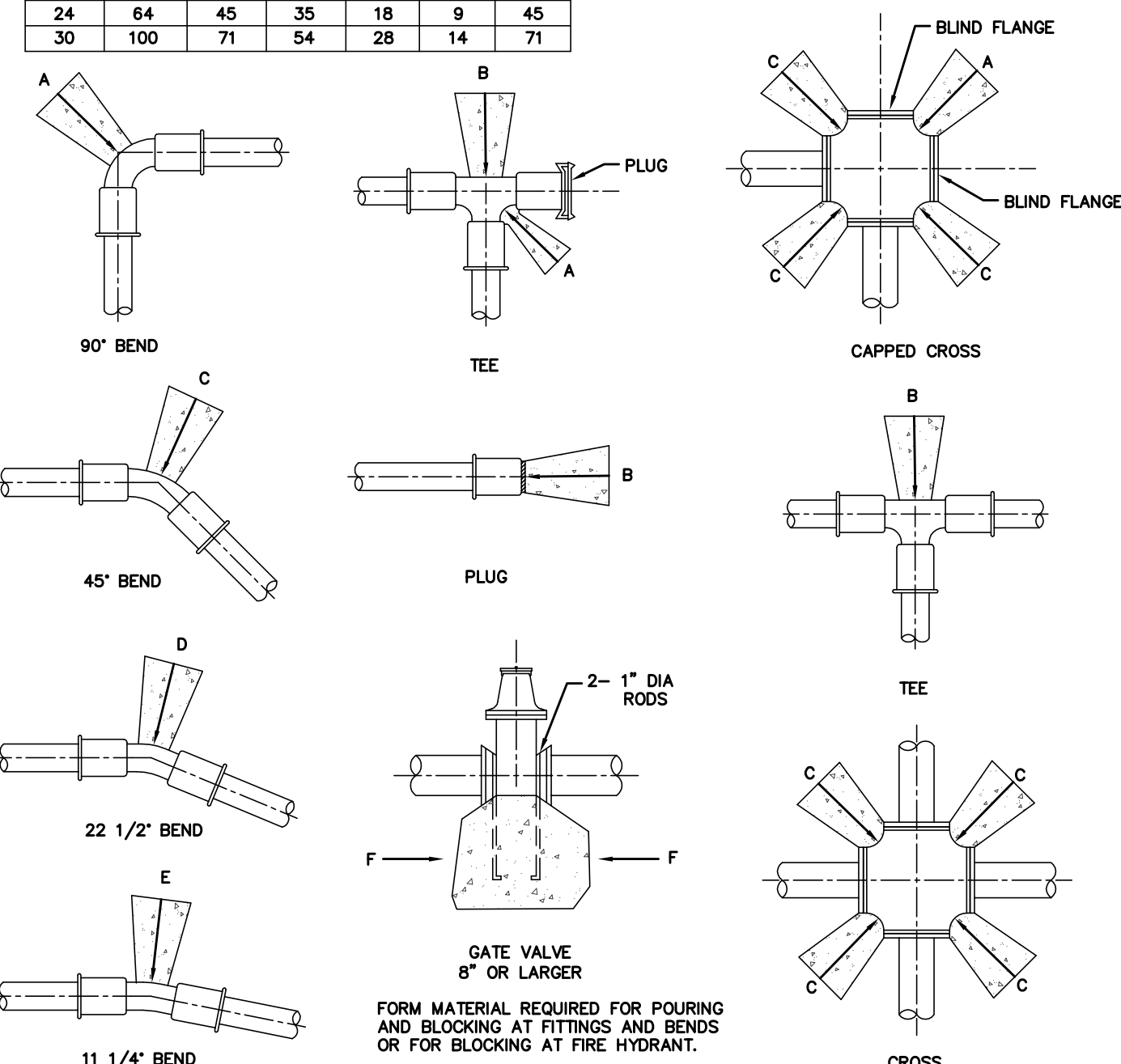


SIDEWALK TOOL JOINT DETAIL
NOT TO SCALE

SIDEWALK DETAILS
NOT TO SCALE

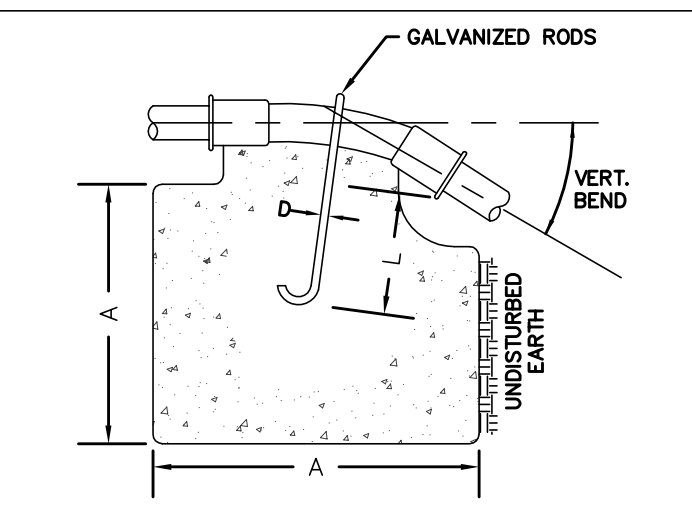
PIPE SIZE (IN)	MINIMUM BEARING AREA AGAINST UNDISTURBED SOIL (SQ. FT.)					
	A	B	C	D	E	F
4	2	2	1	1	1	2
6	4	3	3	1	1	3
8	6	5	4	2	1	5
10	12	8	6	3	2	8
12	16	12	9	5	2	12
14	22	15	12	6	3	15
16	29	20	16	8	4	20
18	36	25	20	10	5	25
20	44	32	24	12	6	32
24	64	45	35	18	9	45
30	100	71	54	28	14	71

- NOTES:
1. THRUST IS BASED ON A WORKING PRESSURE OF 150 PSI.
 2. BEARING AREA IS BASED ON A SAFE SOIL BEARING LOAD OF 1500 PSF.
 3. BLOCKING SHALL BEAR AGAINST FITTINGS ONLY AND SHALL BE CLEAR OF THE JOINT.
 4. MEGA LUGS (OR APPROVED EQUAL) ARE REQUIRED ON ALL M.J. FITTINGS.

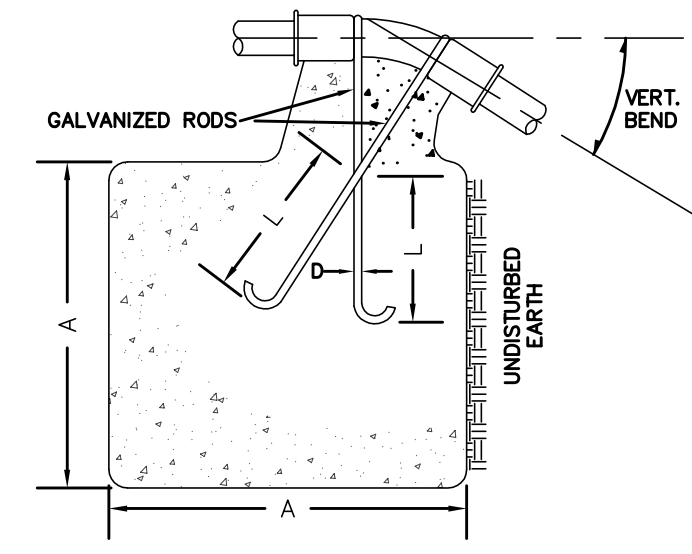


HORIZONTAL THRUST BLOCKING
NOT TO SCALE

PIPE SIZE	VERT. BEND	CUBIC FEET	A (FT)	D (IN)	A (FT)
4"	11 1/4"	3	1.0	3/4	0.5
	22 1/2"	6	2.0	3/4	1.5
	45"	10	2.2	3/4	2.0
6"	11 1/4"	6	1.5	3/4	1.0
	22 1/2"	12	2.3	3/4	2.0
	45"	23	3.0	3/4	2.5
8"	11 1/4"	11	2.5	3/4	2.0
	22 1/2"	21	2.8	3/4	2.5
	45"	41	3.5	3/4	2.5
10"	11 1/4"	17	2.7	3/4	2.0
	22 1/2"	33	3.3	3/4	2.0
	45"	64	4.0	3/4	3.5
12"	11 1/4"	24	3.0	3/4	2.5
	22 1/2"	47	3.7	3/4	4.0
	45"	93	4.6	3/4	4.0
14"	11 1/4"	32	3.3	1	2.5
	22 1/2"	64	4.0	1	4.5
	45"	126	5.1	1	4.5
16"	11 1/4"	43	3.5	1	3.0
	22 1/2"	84	4.4	1	4.5
	45"	166	5.5	1	4.5
18"	11 1/4"	54	3.8	1	3.0
	22 1/2"	107	4.8	1	4.5
	45"	209	5.9	1	4.5
20"	11 1/4"	66	4.0	1	3.5
	22 1/2"	132	5.1	1	5.0
	45"	258	6.4	1	5.0
24"	11 1/4"	95	4.6	1 1/4	4.0
	22 1/2"	190	5.8	1 1/4	6.0
	45"	371	7.2	1 1/4	6.0
30"	11 1/4"	149	5.3	1 1/2	4.5
	22 1/2"	296	6.7	1 1/2	7.0
	45"	580	8.3	1 1/2	7.0



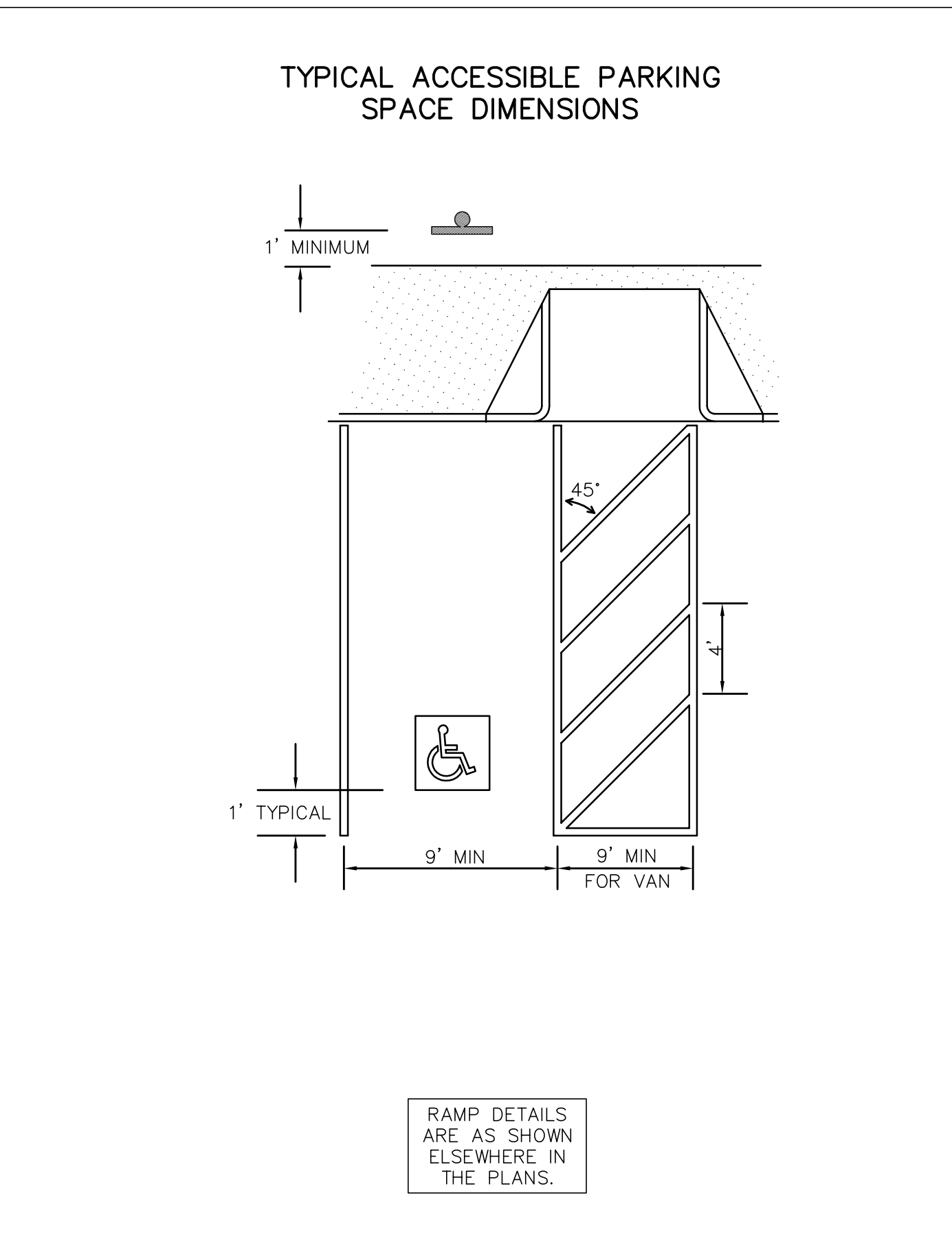
VERTICAL BLOCKING FOR 11 1/4, 22 1/2 & 30° BENDS



VERTICAL BLOCKING FOR 45° & 90° BENDS

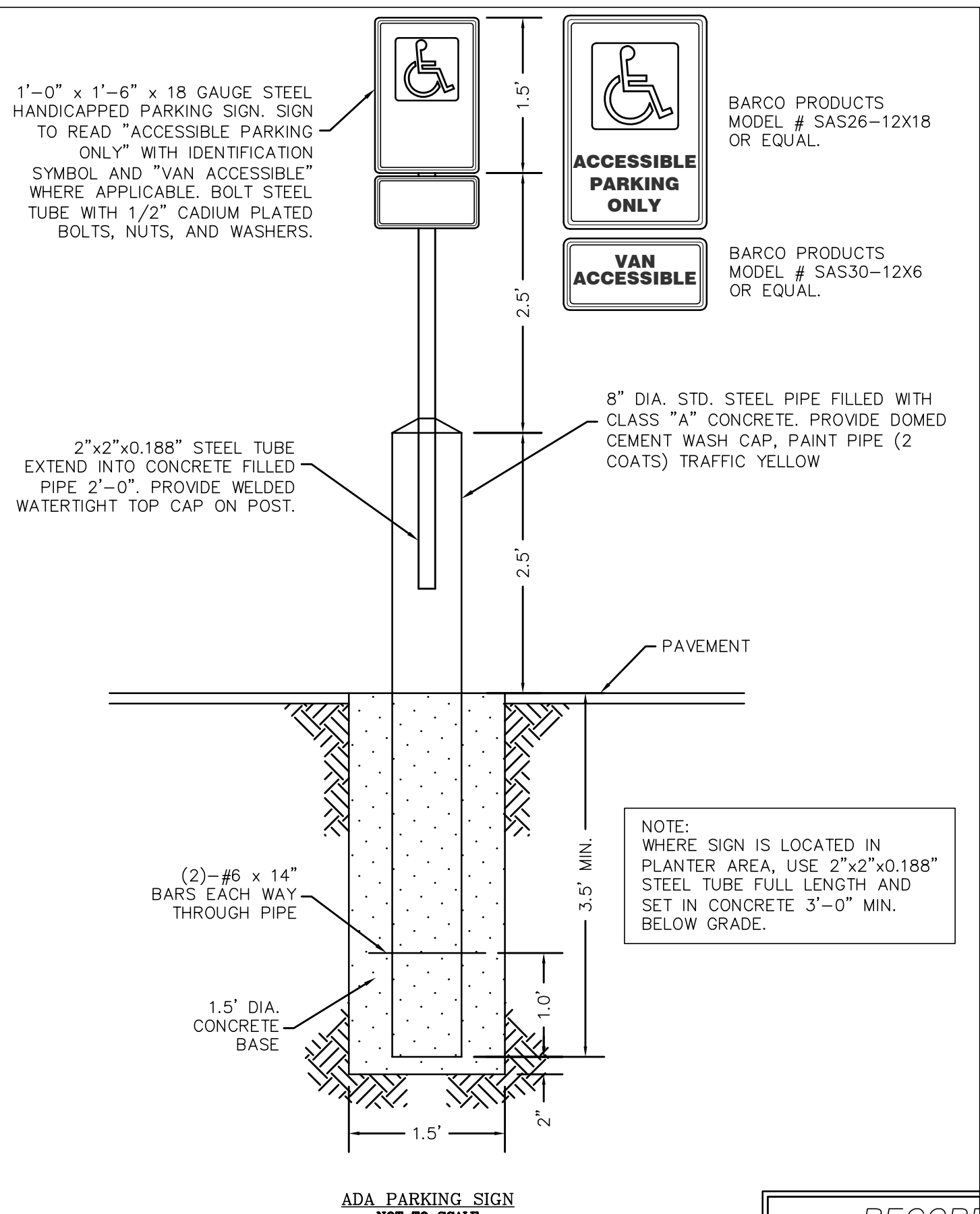
- NOTES:
1. THRUST IS BASED ON A WORKING PRESSURE OF 150 PSI.
 2. VOLUME OF CONCRETE IS BASED ON 140 LBS PER CUBIC FOOT.
 3. MEGA LUGS (OR APPROVED EQUAL) ARE REQUIRED ON ALL M.J. FITTINGS.

VERTICAL THRUST BLOCKING
NOT TO SCALE



TYPICAL ACCESSIBLE PARKING SPACE DIMENSIONS

RAMP DETAILS ARE AS SHOWN ELSEWHERE IN THE PLANS.

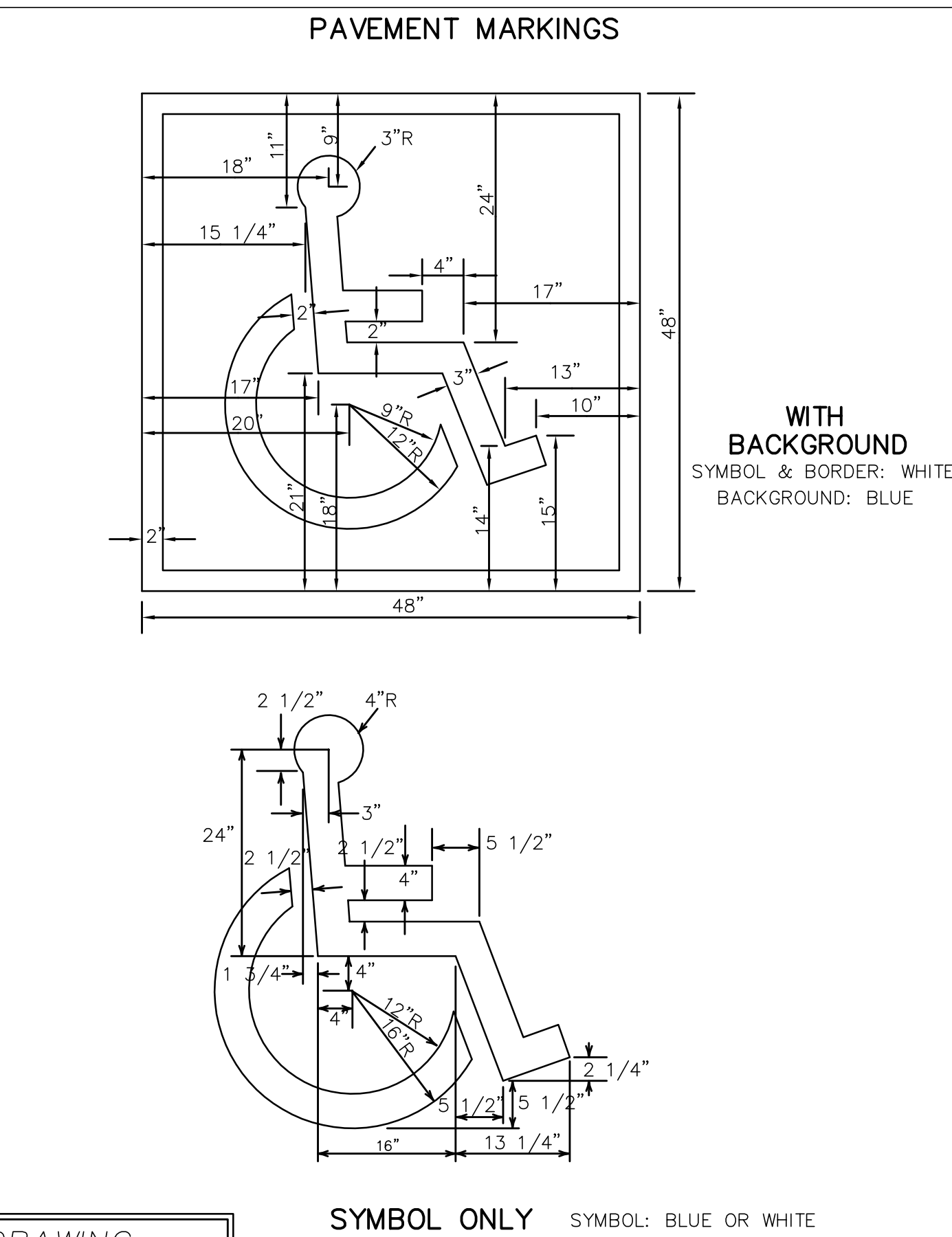


ADA PARKING SIGN
NOT TO SCALE

RECORD DRAWING

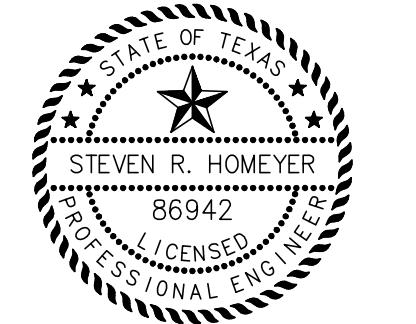
To the best of our knowledge, Homeyer Engineering, Inc., hereby states that this plan is a Record Drawing. The information provided is based on surveying conducted at the site and information provided by the contractor.

Steven R. Homeyer
Steven R. Homeyer, P.E. #86942
Date: 07-01-2008



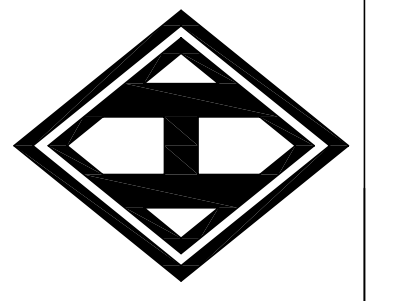
PAVEMENT MARKINGS

SYMBOL ONLY SYMBOL: BLUE OR WHITE



THE SEAL APPEARING ON THIS DOCUMENT WAS AUTHORIZED BY STEVEN R. HOMEYER, P.E. 86942 ON JULY 1, 2008.

HOMEYER ENGINEERING, INC.
CIVIL ENGINEERING, PLANNING, SITE & LAND PLANNING
P. O. BOX 294527 • LEWISVILLE, TEXAS • 75029
972-990-0000
WWW.HOMEYERENGINEERING.COM



STONEBRIDGE VETERINARY
1.085 ACRES
ZONED - GR/SH 66 OVERLAY
CITY OF ROCKWALL
ROCKWALL COUNTY, TEXAS

DETAILS

DRAWN BY: BSZ
DATE: 10/15/07
HEI #: 07-168
SHEET NO: C12