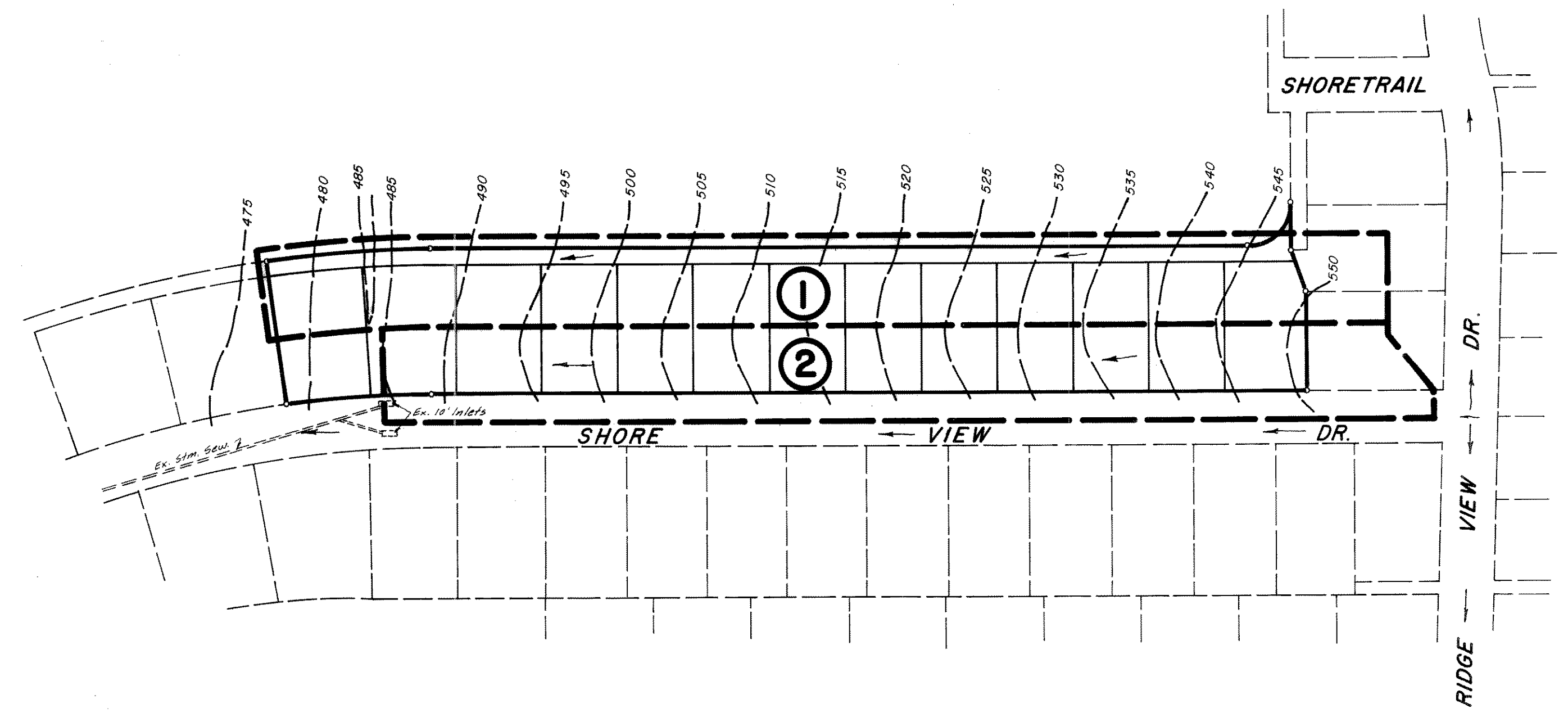
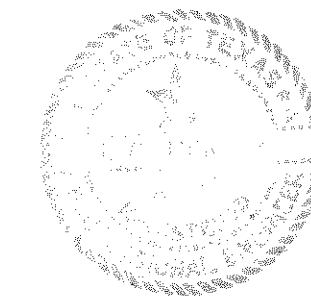


OFF-SITE DRAINAGE AREAS
SCALE: 1"=400'



ON-SITE DRAINAGE AREAS
SCALE: 1"=100'

NO.	ACRES	C	I_{50}	Q_{50}
1	2.12	0.4	9.0	7.63
2	1.91	0.4	9.0	6.88



DRAINAGE AREA MAP						
STONEBRIDGE MEADOWS						
PHASE TWO						
ROCKWALL CO., TEXAS						
THREADGILL - DOWDEY and ASSOCIATES						
CONSULTING ENGINEERS DALLAS, TEXAS						
DESIGN	DRAWN	CHECKED	DATE	SCALE	JOB	SHEET
A.R.W.	M.H.	J.C.H.	1-77	AS SHOWN	459-E	1/1