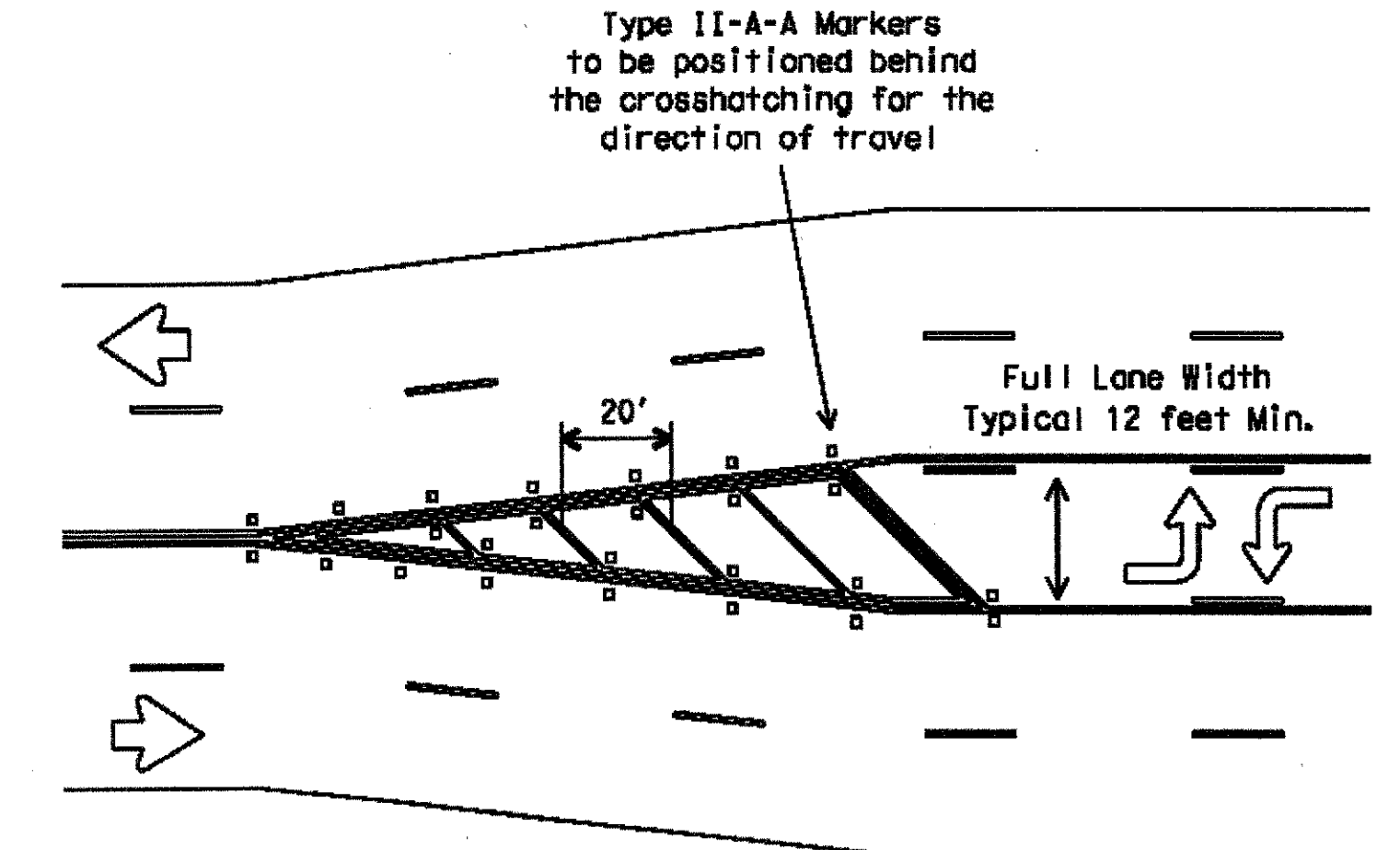
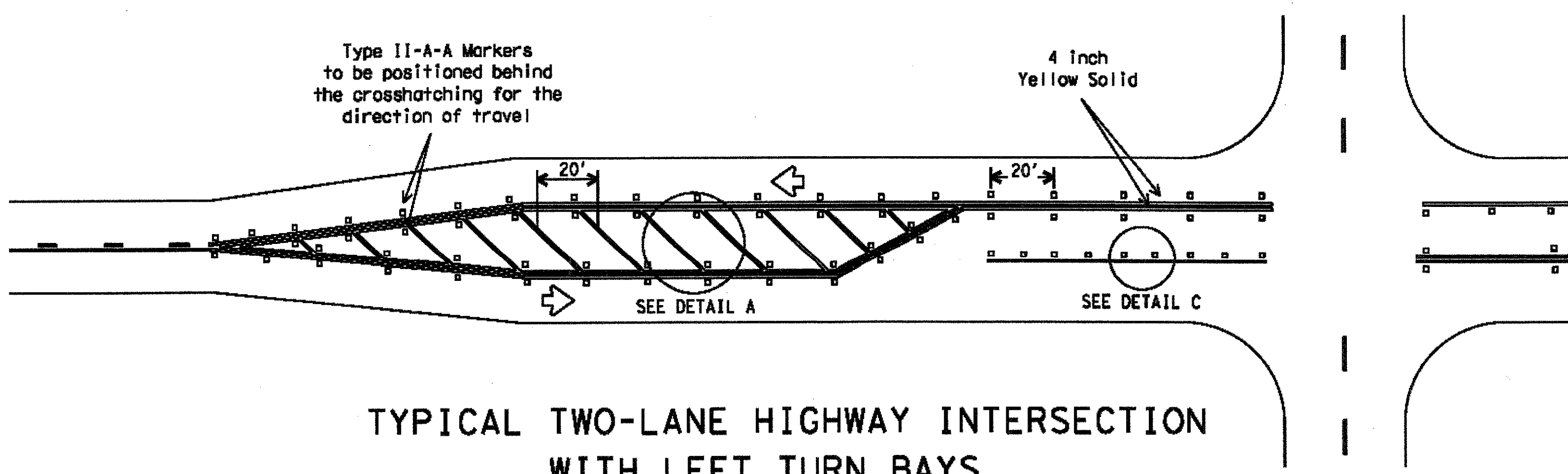
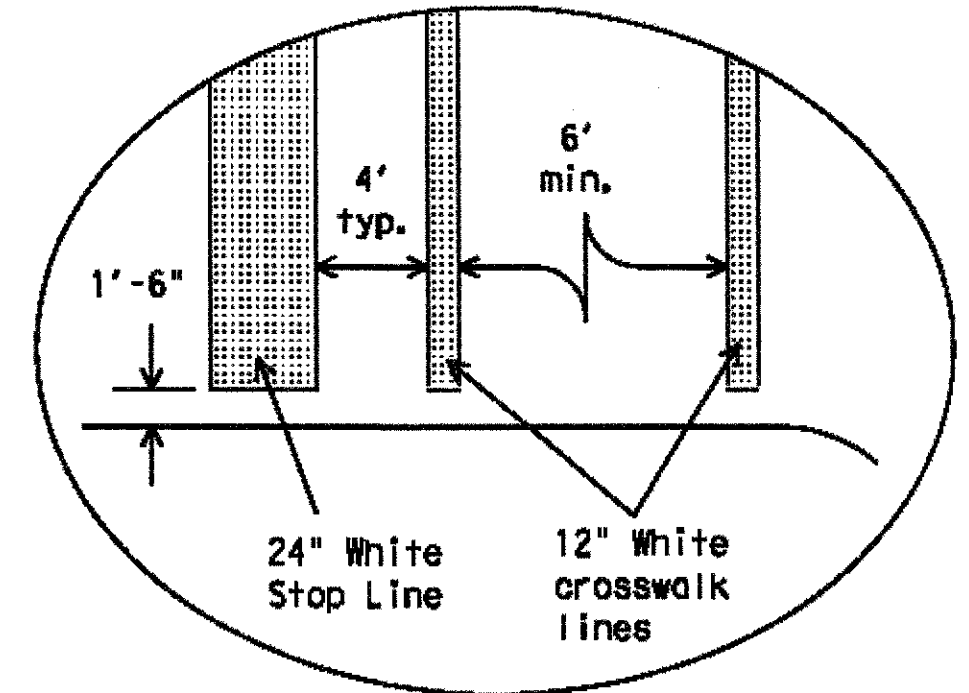
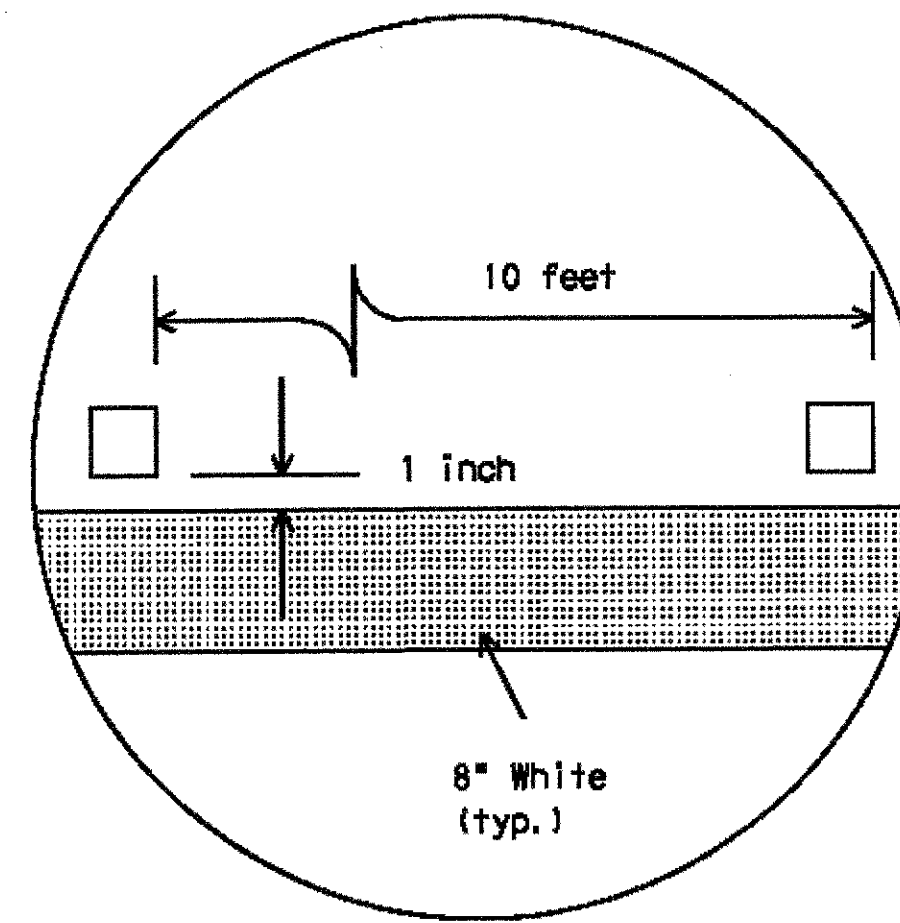
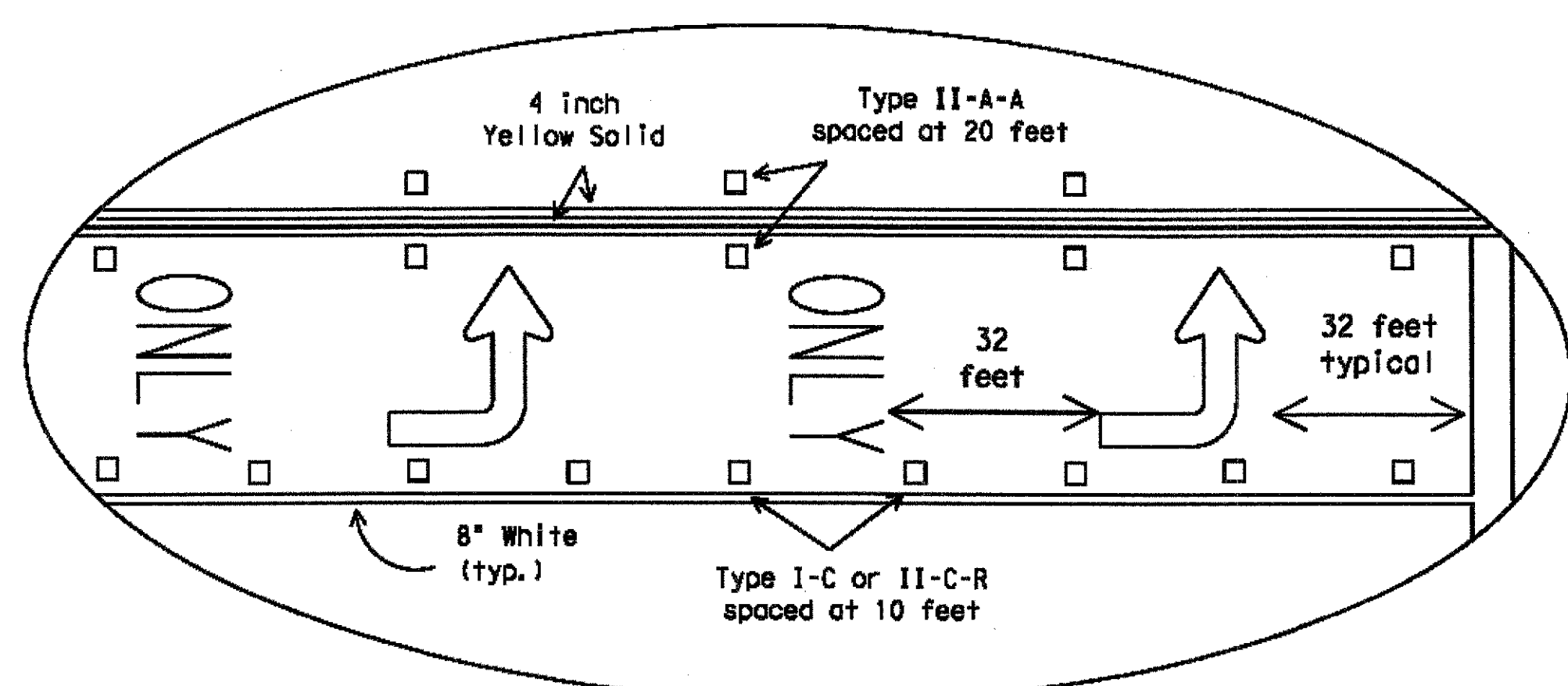
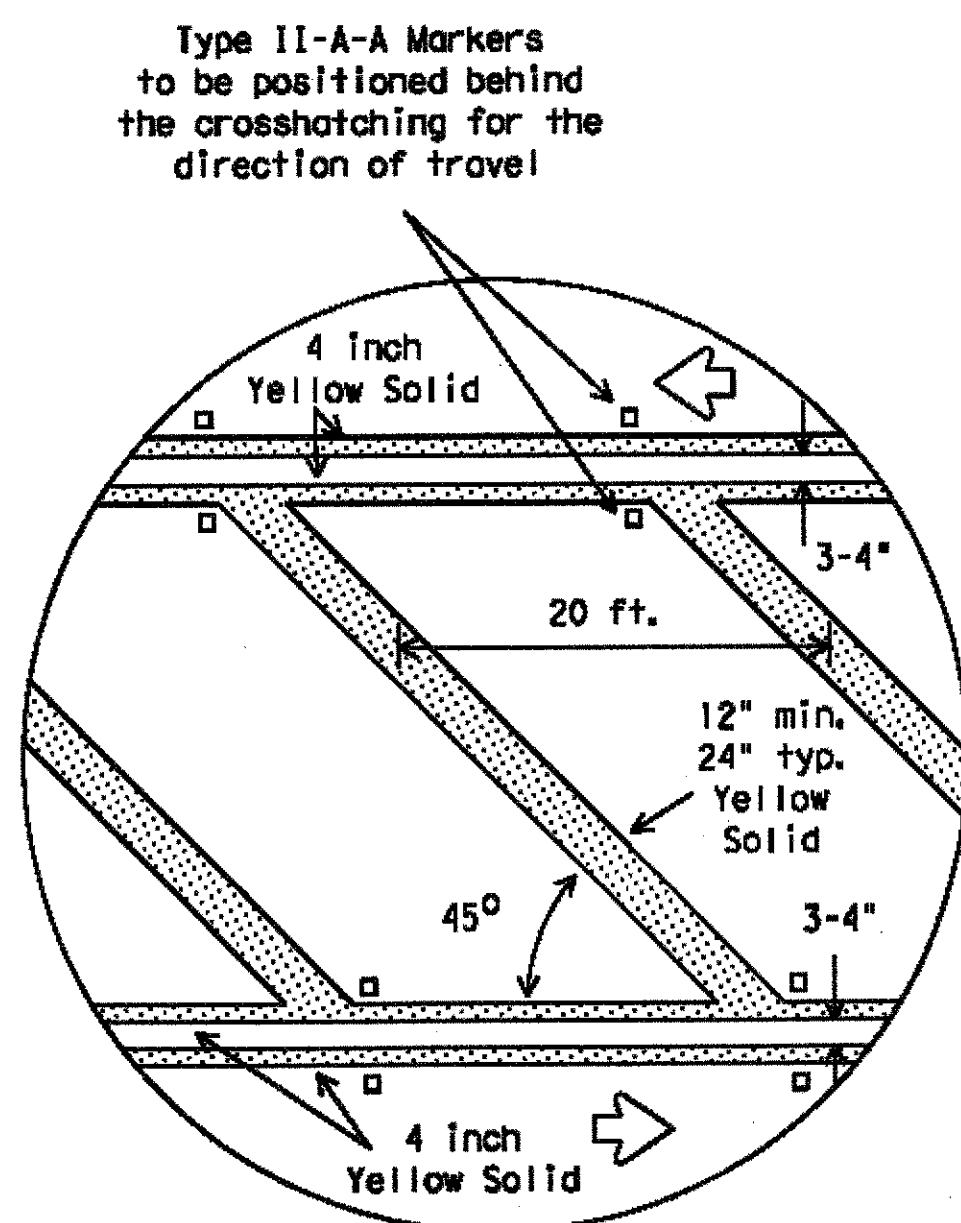
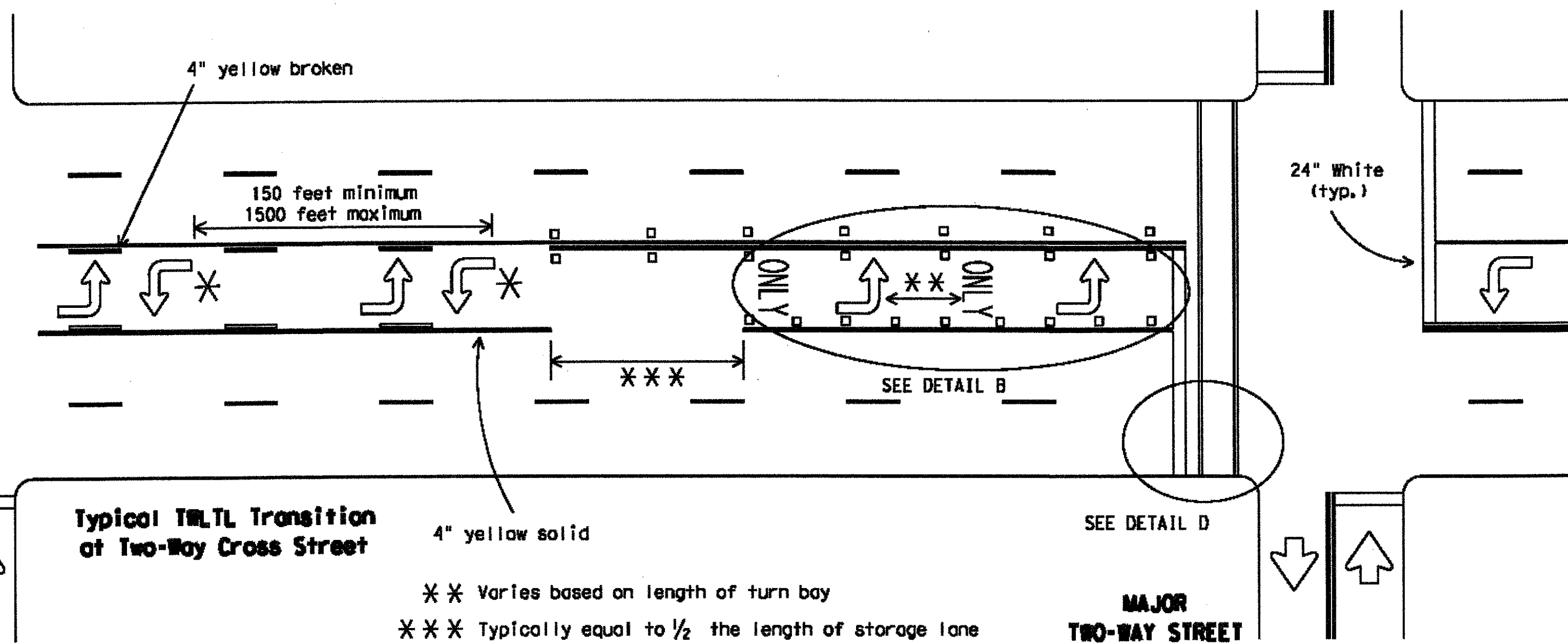
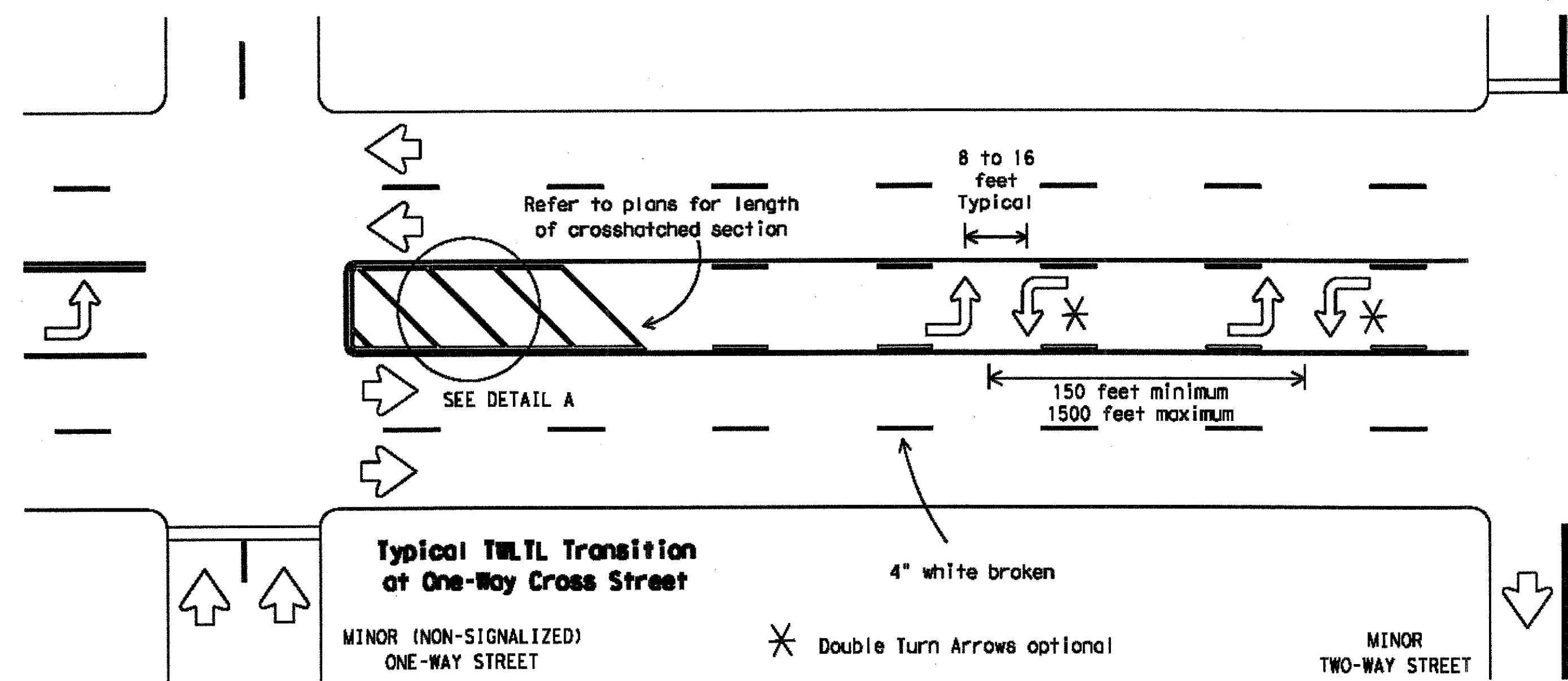


DISCLAIMER  
 The use of this standard is governed by the "Texas Engineering Practice Act". No warranty of any kind is made by TxDOT for any purpose whatsoever. TxDOT assumes no responsibility for the conversion of this standard to other formats or for incorrect results or damages resulting from its use.

LEVELS DISPLAYED	1	2	3	4	5	6	7	8	9	10	11	12	13	14	15	16
ACC																



**GENERAL NOTES**  
 Refer elsewhere in plans for additional RPM placement and details.  
 Details for words and arrows as shown on other sheets.  
 All pavement marking materials shall meet the required Departmental Material Specifications as specified by the plans.  
 For a left turn bay, two sets of words and arrows shall be used if the length of the bay is equal to or greater than 180 feet. The bottom of the first ONLY shall be placed at the beginning of the turn bay lane line as shown above.  
 Other crosswalk patterns as shown in the "Texas Manual on Uniform Traffic Control Devices" may be used.

**SPECIFICATION REFERENCE TABLE**

MATERIAL SPECIFICATIONS	DMS-4200
PAVEMENT MARKERS (REFLECT.)	DMS-6100
EPOXY	DMS-6130
BITUMINOUS ADHESIVE FOR PAVE. MKS.	

**STANDARD PLANS**  
 Texas Department of Transportation  
 Traffic Operations Division

**PAVEMENT MARKINGS FOR TWO-WAY LEFT TURN LANES DIVIDED HIGHWAYS AND RURAL LEFT TURN BAYS**  
 PM(4)-03

© TxDOT April 1998

REV	DATE	BY	DESCRIPTION
5-00			
8-00			
3-03			