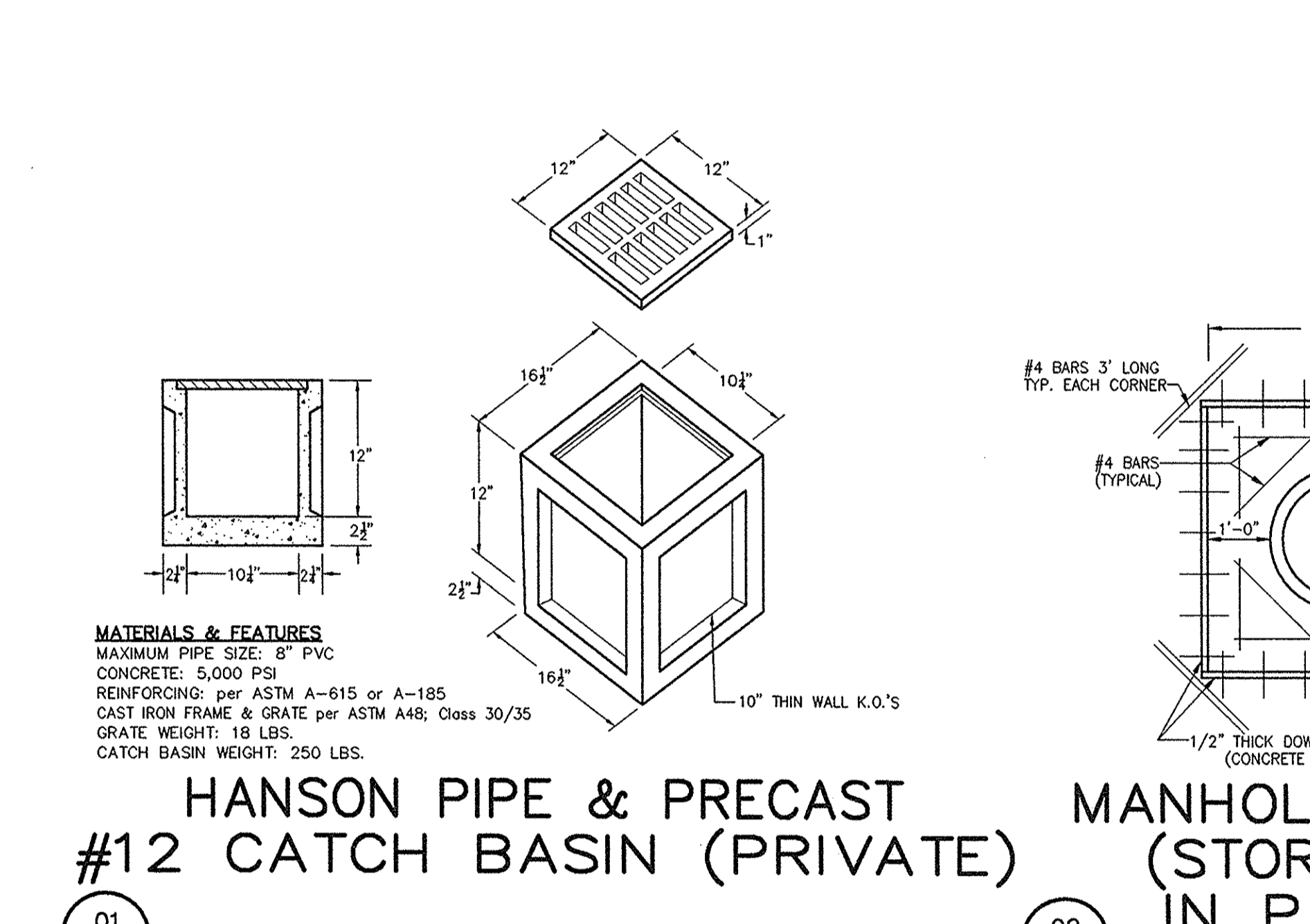
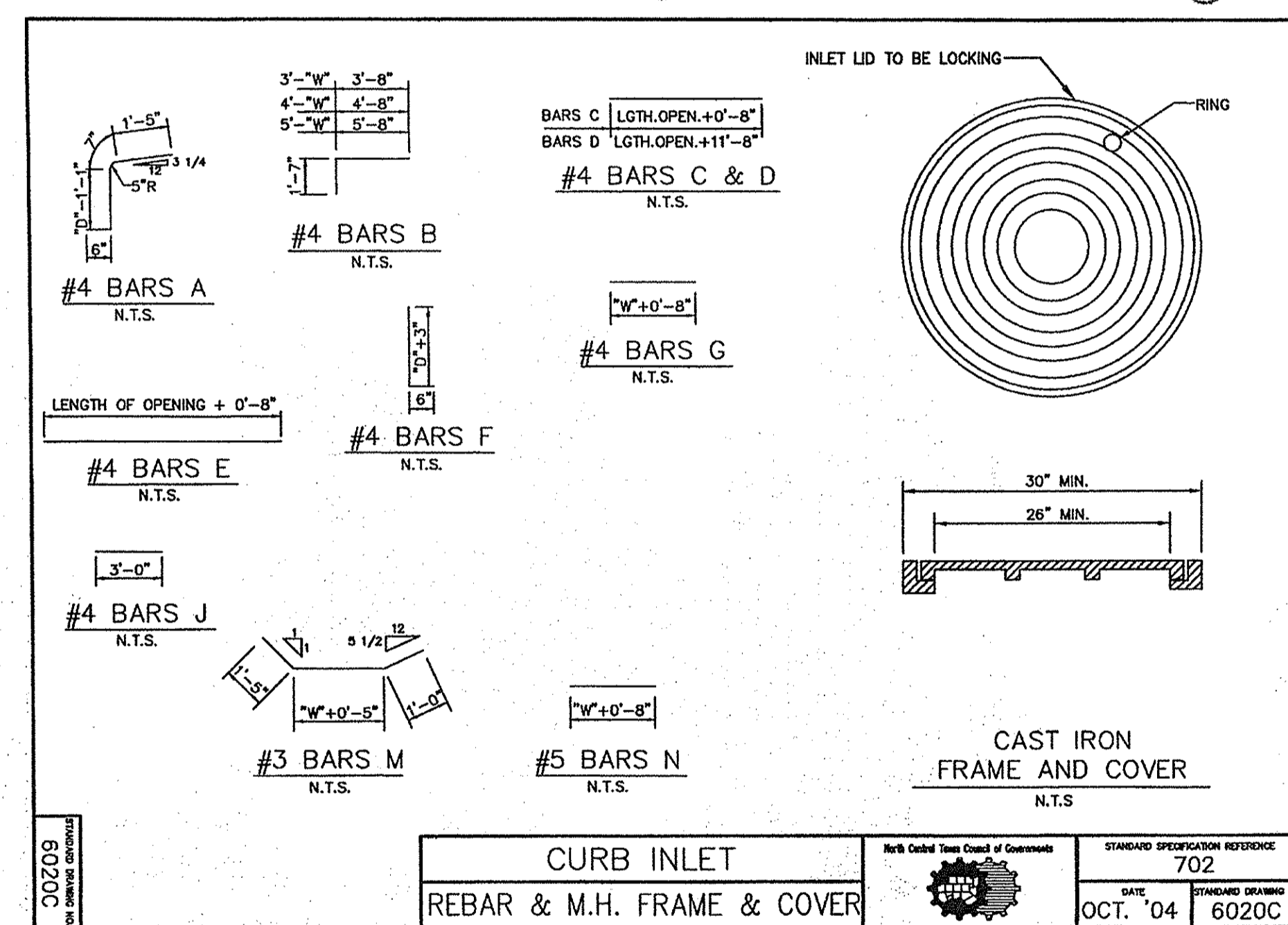
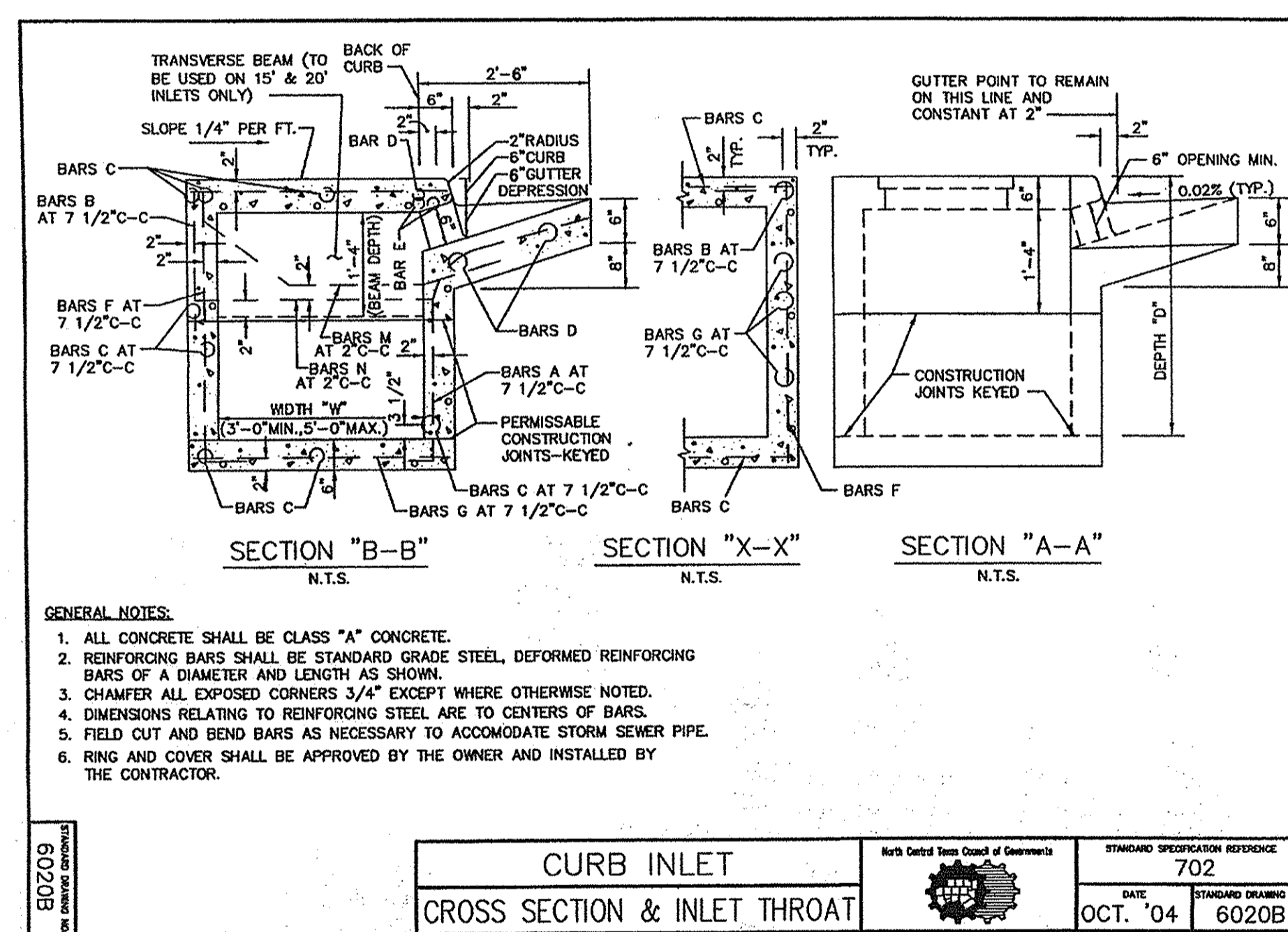
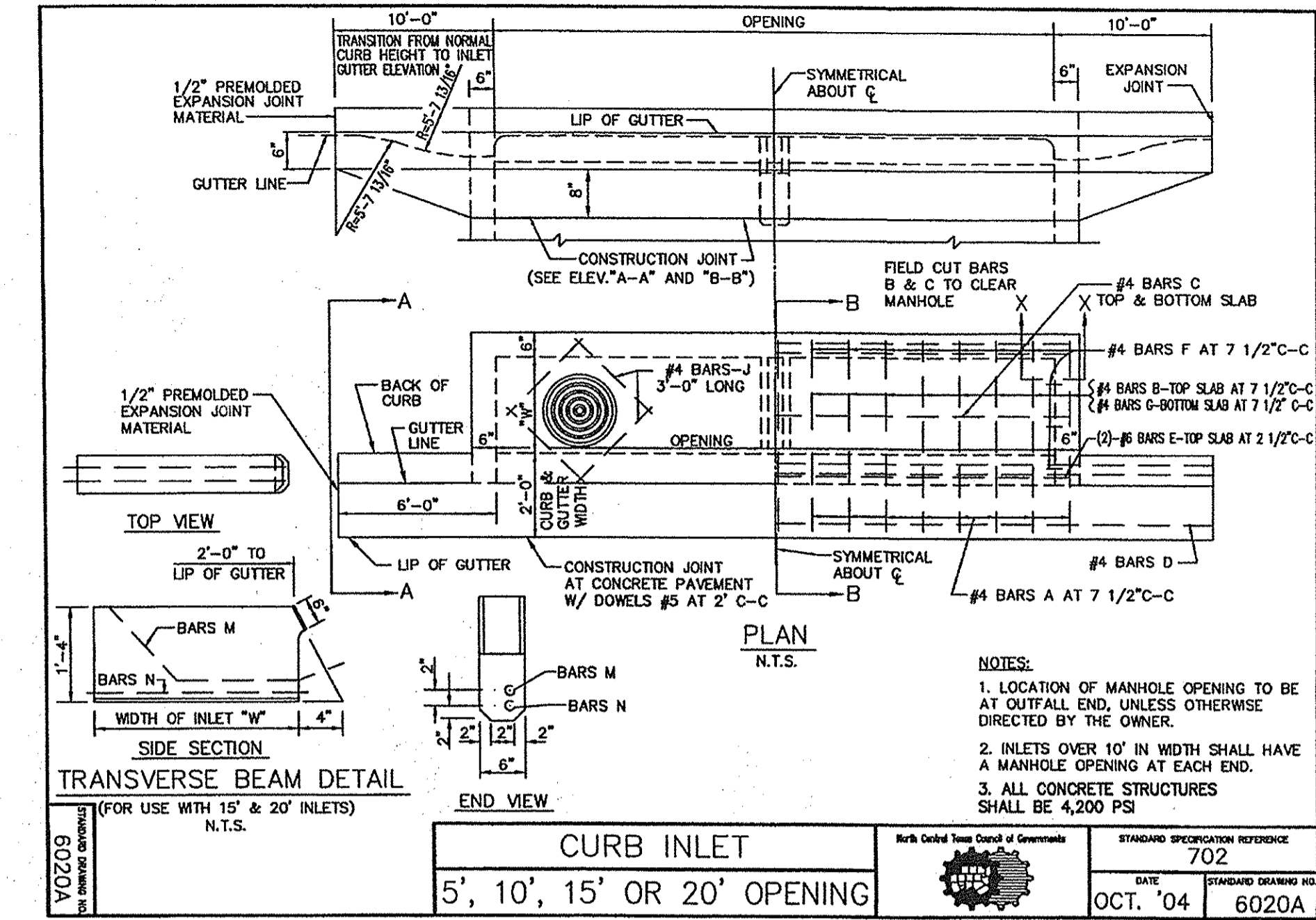
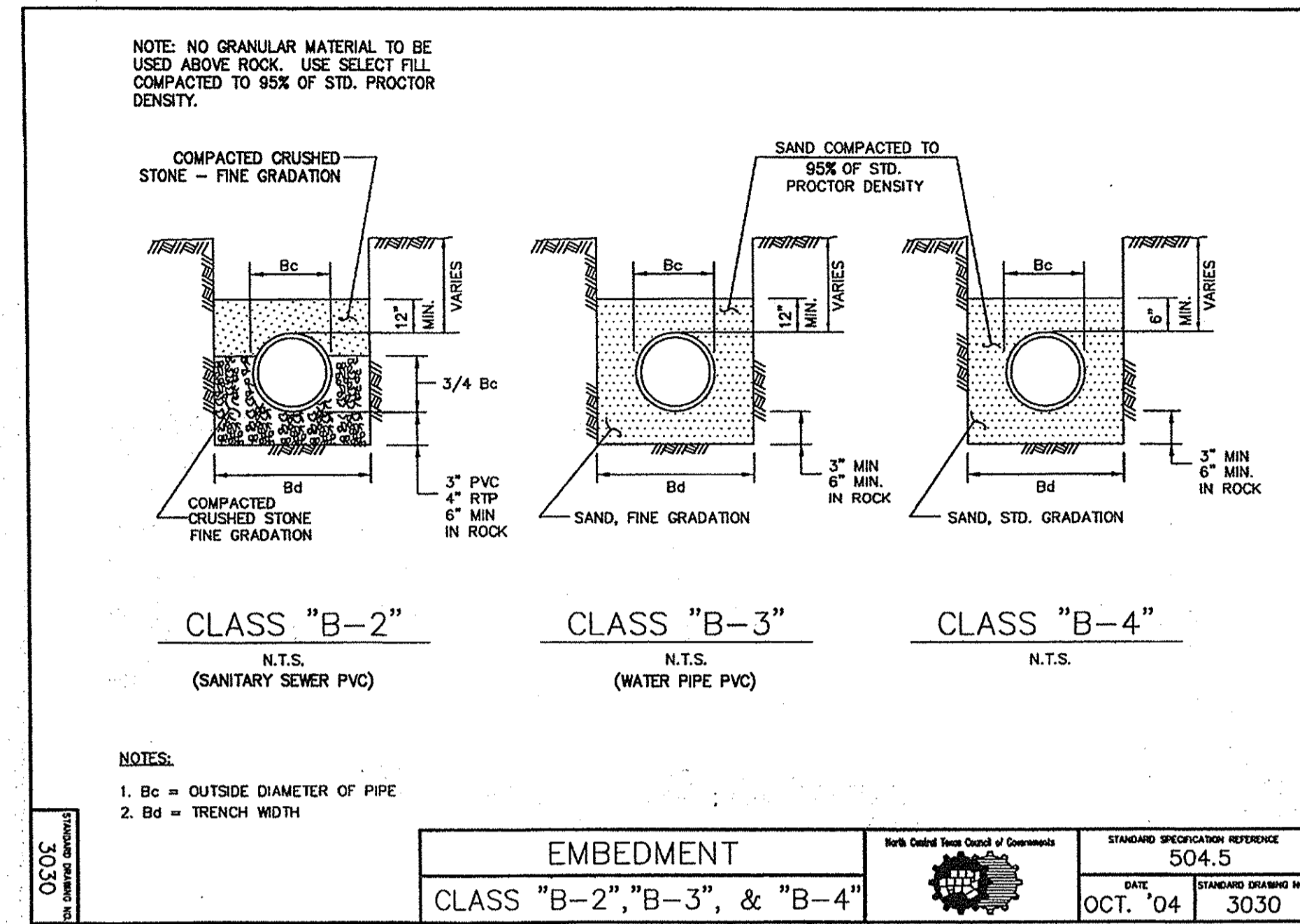
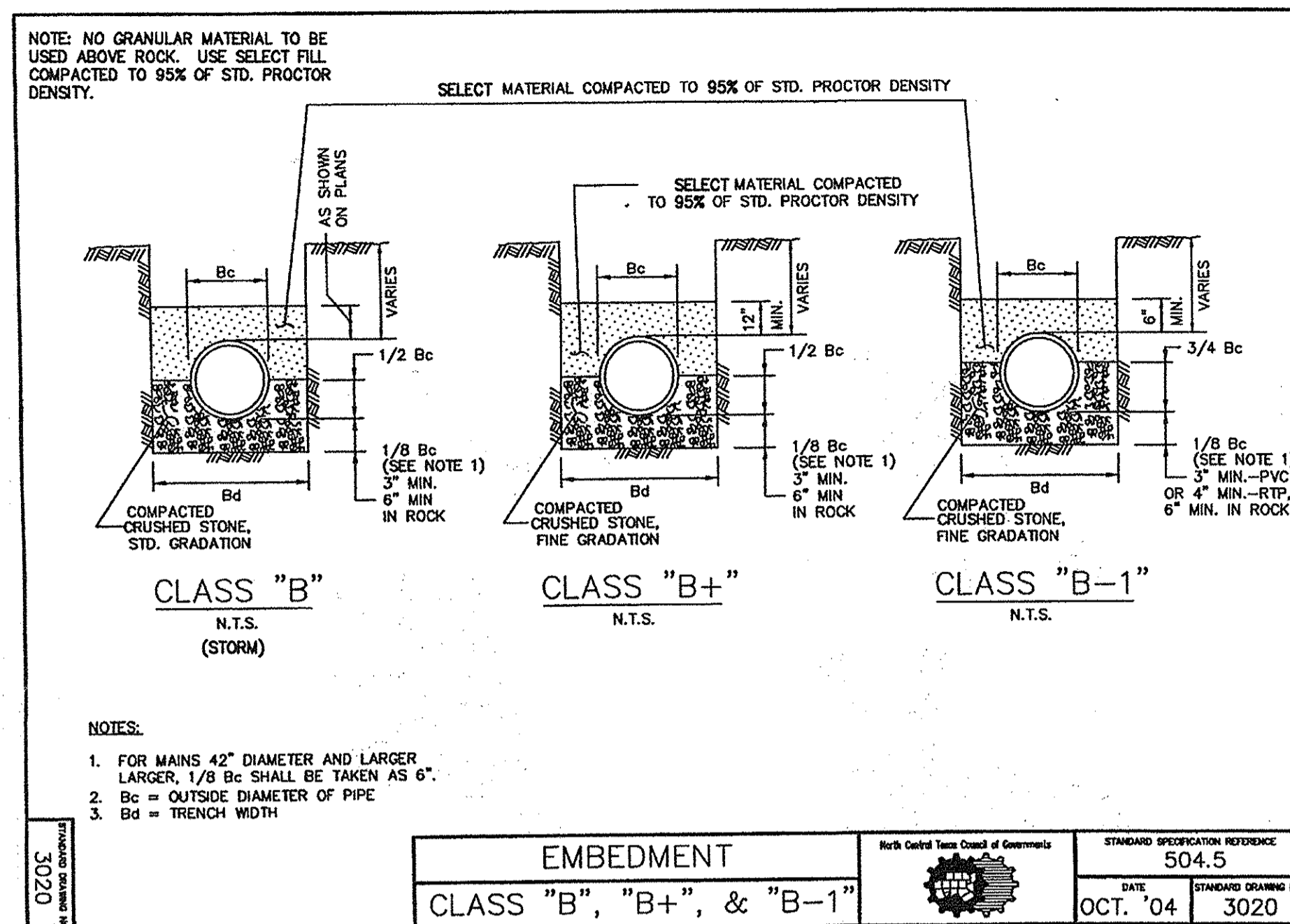


10/10/2013 3:46PM N:\095\1303-12-073-COVER.DWG A. LOT 4, DWG 1393-12-073-COVER.DWG
 © POGUE ENGINEERING & DEVELOPMENT COMPANY, INC. 2013. ALL RIGHTS RESERVED. THE ENGINEERING DESIGN, DETAIL AND INVENTION SHOWN ON THESE DRAWINGS ARE THE LEGAL PROPERTY OF POGUE ENGINEERING & DEVELOPMENT COMPANY, INC. THEIR USE FOR REPRODUCTION, CONSTRUCTION, OR DISTRIBUTION IS PROHIBITED UNLESS AUTHORIZED IN WRITING BY POGUE ENGINEERING & DEVELOPMENT COMPANY, INC.



PIPE MATERIAL	EMBEDMENT
RCP	CLASS "B"
DUCTILE IRON (PRIVATE ONLY)	CLASS "B-3"
PVC	CLASS "B-2"
PUBLIC SAN. SEWER	CLASS "B-2"
PUBLIC WATER	CLASS "B-3"

RECORD DRAWINGS:
IT WAS THE INTENT THAT THE IMPROVEMENTS SHOWN BE CONSTRUCTED ACCORDING TO THESE PLANS AS APPROVED BY THE CITY. THE LINES AND GRADES WERE SET ON THE GROUND FOR CONSTRUCTION ACCORDING TO SAID PLANS. THE CITY INSPECTED THE CONSTRUCTION. WE ARE NOT AWARE OF ANY CHANGES OR REVISIONS TO THESE PLANS DURING CONSTRUCTION OTHER THAN THOSE SHOWN. DATE: OCTOBER 10, 2013.

NOTE: FOR ALL OTHER STANDARD DETAILS, REFER TO STANDARD SPECIFICATIONS FOR PUBLIC WORKS CONSTRUCTION, NORTH CENTRAL TEXAS, 3RD EDITION (NCTCOG) AND THE CITY OF ROCKWALL STANDARDS OF DESIGN AND CONSTRUCTION.

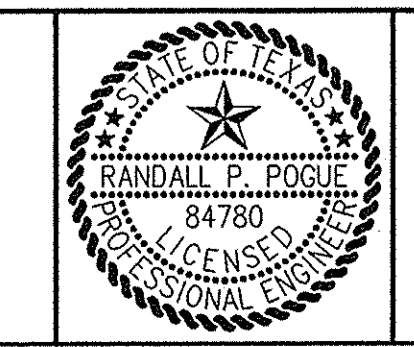
NO.	DATE	DESCRIPTION	PI NUMBER
2	10-10-13	RECORD DRAWINGS	
1	5-9-13	REVISED ROOF DRAINAGE DESIGN	
DESIGN	DRAWN	DATE	PI NUMBER
RPP	RND	10-10-2013	1393-12-073

PROJECT INFORMATION
STONE CREEK RETAIL ADDITION
BLOCK A, LOT 4, STONE CREEK RETAIL ADDITION
CITY OF ROCKWALL, TEXAS
W.T. DEWEESE SURVEY, ABSTRACT NO. 71
PROPOSED USE: RETAIL
ZONING: PD-70

OWNER/DEVELOPER
METROPLEX ACQUISITION FUND, L.P.
15150 PRESTON ROAD, SUITE 210
DALLAS, TEXAS 75248
MR. GREY STOGNER
(214) 343-4477 PHONE
(214) 340-2029 FAX

THE SEAL APPEARING ON THIS DOCUMENT WAS AUTHORIZED BY RANDALL P. POGUE, P.E. 84780 ON 07-09-2013. ALTERATION OF A SEALED DOCUMENT WITHOUT PROPER NOTIFICATION TO THE RESPONSIBLE ENGINEER IS AN OFFENSE UNDER THE TEXAS ENGINEERING PRACTICE ACT.

RPP 10-13-13



POGUE
ENGINEERING & DEVELOPMENT COMPANY, INC.
1512 BRAY CENTRAL DRIVE
SUITE 100
MCKINNEY, TEXAS 75069
TX BOARD PROF. ENGINEERS, CERT. # 000481; TX BOARD PROF. LAND SURVEYING, CERT. 100421-00
(214) 544-8880 PHONE
(214) 544-8882 FAX
www.PogueEngineering.com

STORM SEWER DETAILS
STONE CREEK RETAIL ADDITION
BLK A, LOT 4, STONE CREEK RETAIL ADD'N
W.T. DEWEESE SURVEY, ABSTRACT NO. 71
CITY OF ROCKWALL, TEXAS

SHEET NO. C5.03