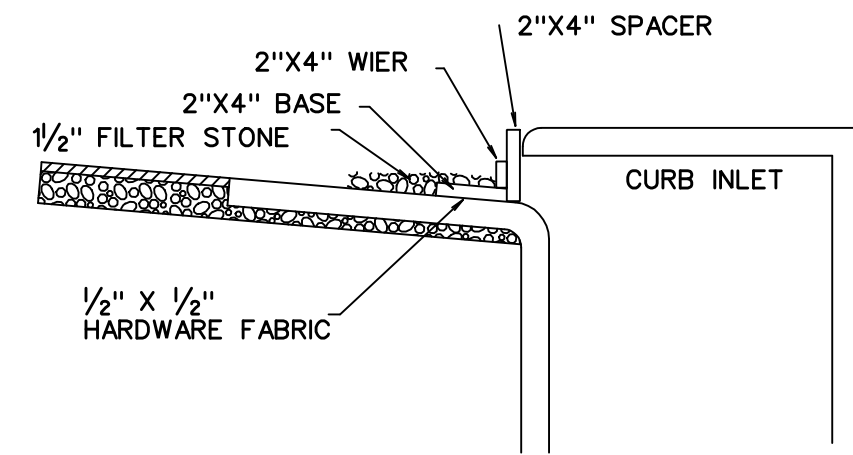
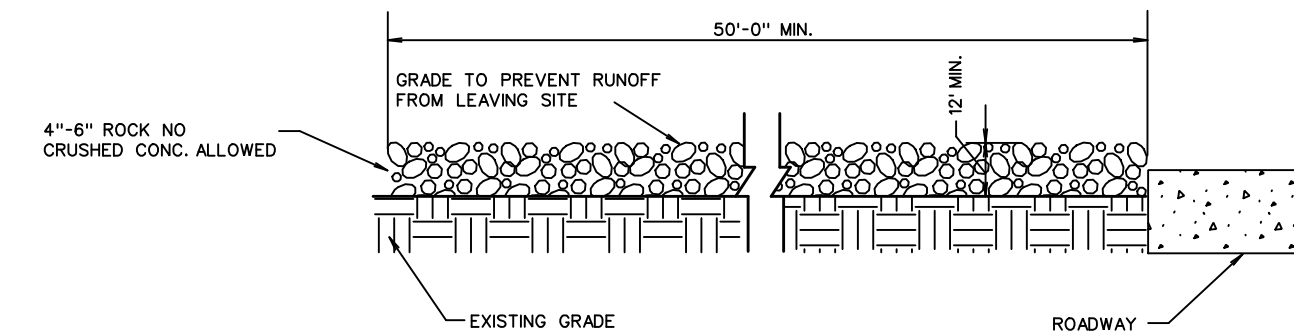
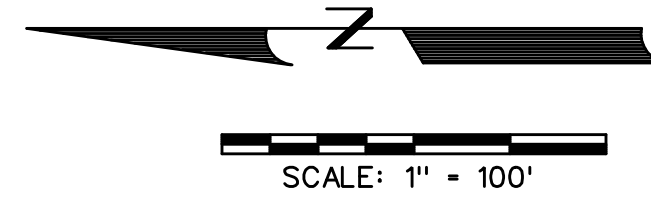


NOTE:
EXTEND FABRIC, FRAME
AND FILTER STONE 12"
BEYOND END OF INLET
ON BOTH ENDS.

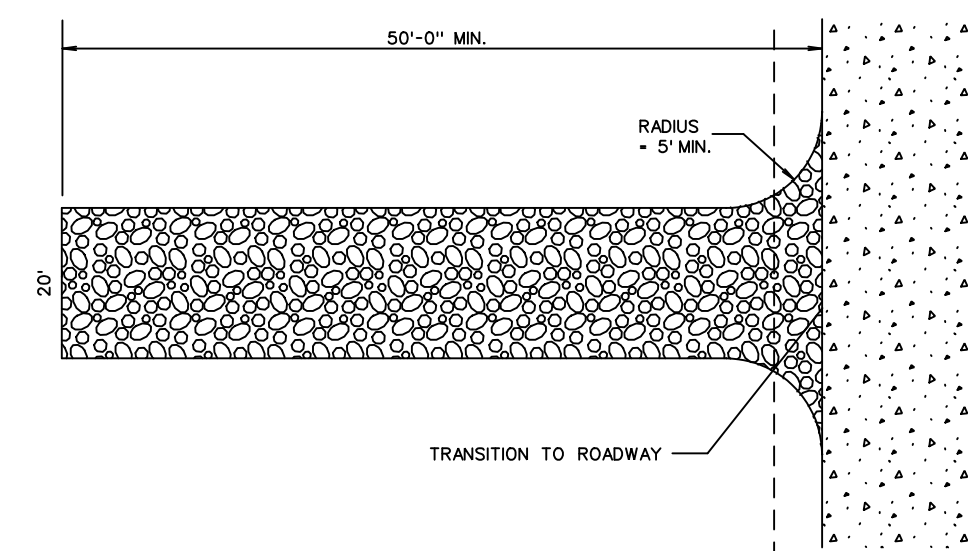
TYPE B CURB
INLET PROTECTION



INLET SECTION

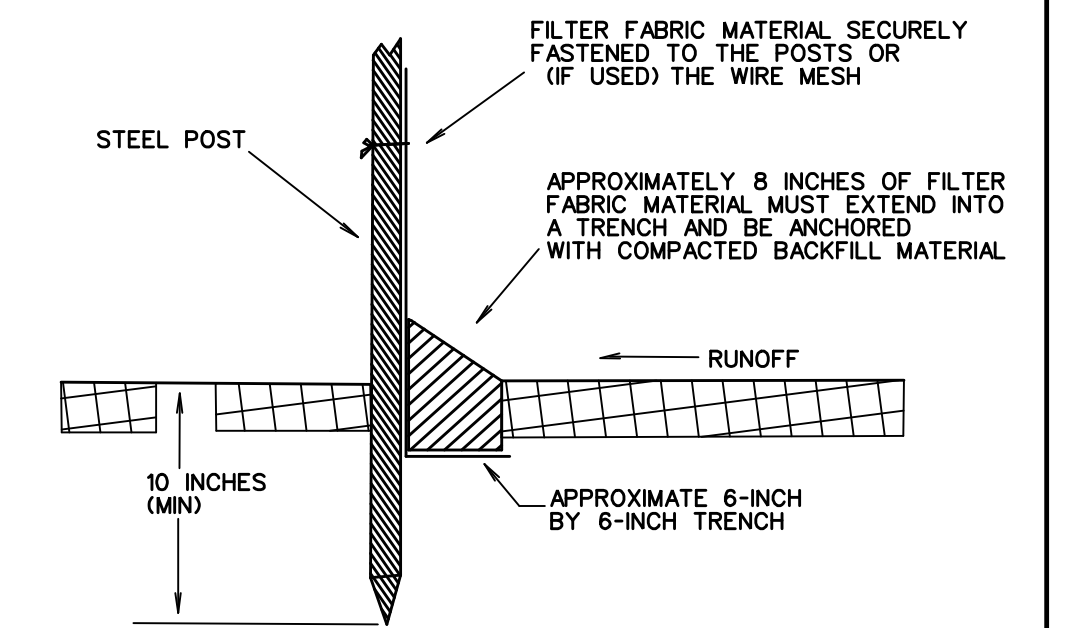
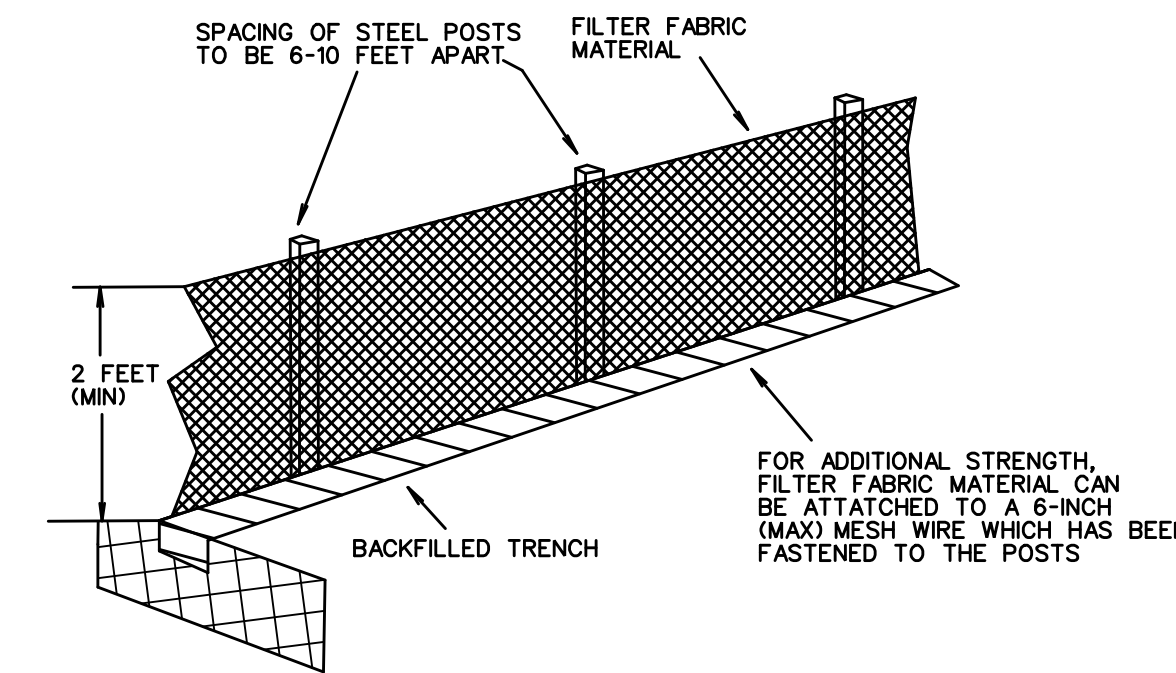


PROFILE

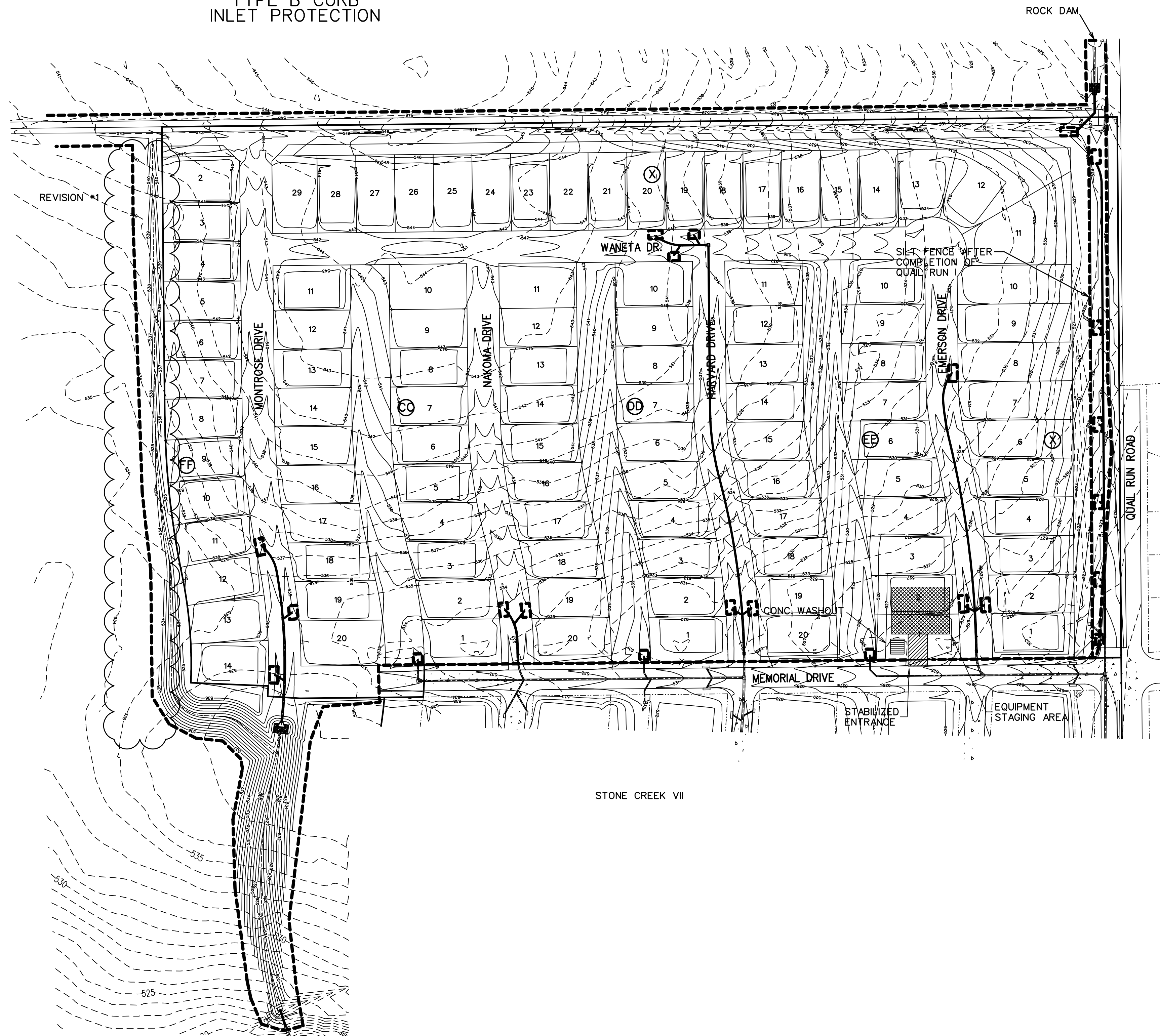


PLAN VIEW

STABILIZED ENTRANCE DETAIL



FILTER FABRIC FENCE DETAIL



LEGEND

- SILT FENCE (BEFORE CONSTRUCTION) -----
- INLET PROTECTION [Symbol]

AS-BUILT SEPTEMBER 2018
INFORMATION PROVIDED
BY CONTRACTORS
(NOT FIELD VERIFIED)

CONSTRUCTION SEQUENCE

1. GRADING CONTRACTOR TO INSTALL TEMPORARY STABILIZED ENTRANCE.
2. INSTALL SILT FENCE AS SHOWN, (TS-600 POLY FELT) PER C.O.G. SPECIFICATIONS.
3. PERFORM GRADING AND UTILITY CONSTRUCTION.
4. AFTER THE INLET BOTTOMS ARE CONSTRUCTED, THE INLETS SHALL BE FILLED WITH STONE AND COVERED WITH A FILTER FABRIC (TS-600 POLY FELT OR EQUIVALENT) BY UTILITY CONTRACTOR.
5. PRIOR TO CITY RELEASING PAVING, SOD OR SEEDED CURLEX SHALL BE INSTALLED ON SIDES AND BOTTOM OF ALL DETENTION PONDS.
6. AFTER PAVING AND COMPLETION OF INLETS, INLET FILTERS SHALL BE INSTALLED IN ALL INLETS AND MAINTAINED UNTIL RE-VEGETATION HAS BEEN COMPLETED BY PAVING CONTRACTOR.
7. SILT FENCE SHALL REMAIN IN PLACE UNTIL RE-VEGETATION HAS BEEN COMPLETED.
8. PAVING CONTRACTOR SHALL REMOVE TEMPORARY STABILIZED ENTRANCE.
9. PRIOR TO CITY ACCEPTANCE THE PAVING CONTRACTOR SHALL BE RESPONSIBLE FOR REMOVING ANY MUD OR SILT WHICH COLLECTS ON THE EXISTING AND NEW PAVEMENT.
10. PRIOR TO CITY ACCEPTANCE 75-80% OF ALL DISTURBED AREA SHALL HAVE A MIN. 1" TALL GRASS ESTABLISHED
11. 75-80% OF ALL DISTURBED AREA TO HAVE 1" HIGH GRASS ESTABLISHED PRIOR TO ENGINEERING ACCEPTANCE.
12. ALL BAR DITCHES TO BE ANCHORED, SEED & CURLEXED PRIOR TO ACCEPTANCE OF GRASS ISN'T ESTABLISHED.

NO.	REVISIONS	DATE
1	REVISED SILT FENCE LOCATION	9-1-17

CORWIN ENGINEERING, INC.
200 W. BELMONT, SUITE E
ALLEN, TEXAS 75013 (972)396-1200
TBPE FIRM #5951

DEVELOPMENT PLANS FOR
STONE CREEK
PHASE VIII
ROCKWALL, TEXAS

EROSION CONTROL PLAN

DRAWN BY	DESIGNED BY	CHECKED BY	SHEET NO.
			26 OF 32
JOB NUMBER	DATE	SCALE:	
16044	OCTOBER 2016	1"=100'	