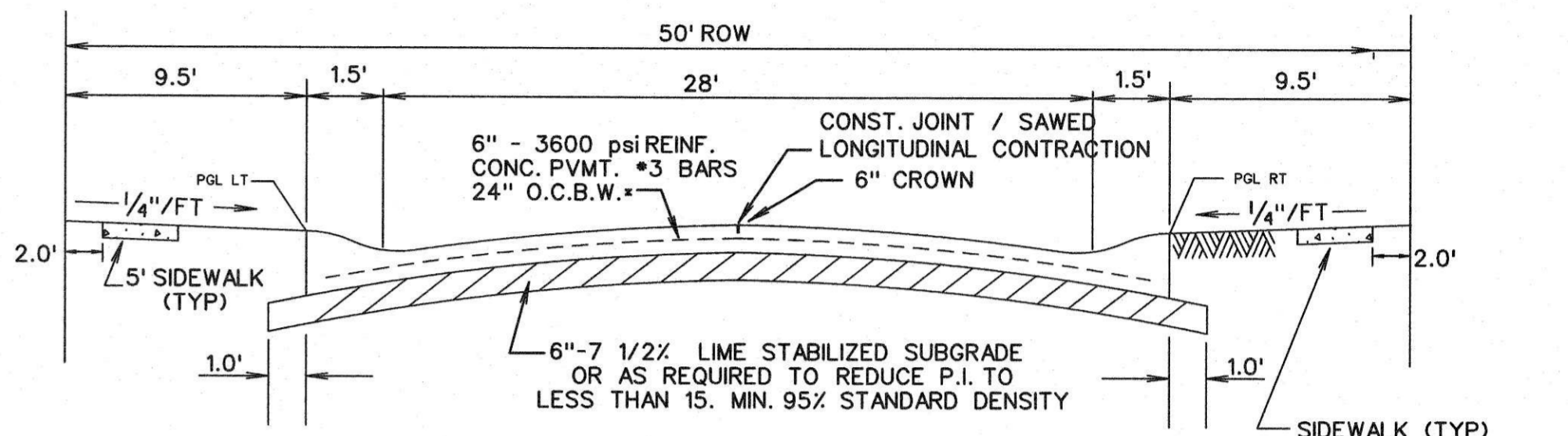
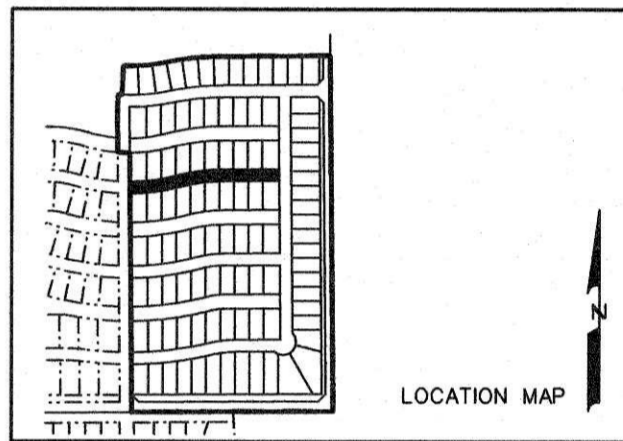


MONOLITHIC CURB
N.T.S.

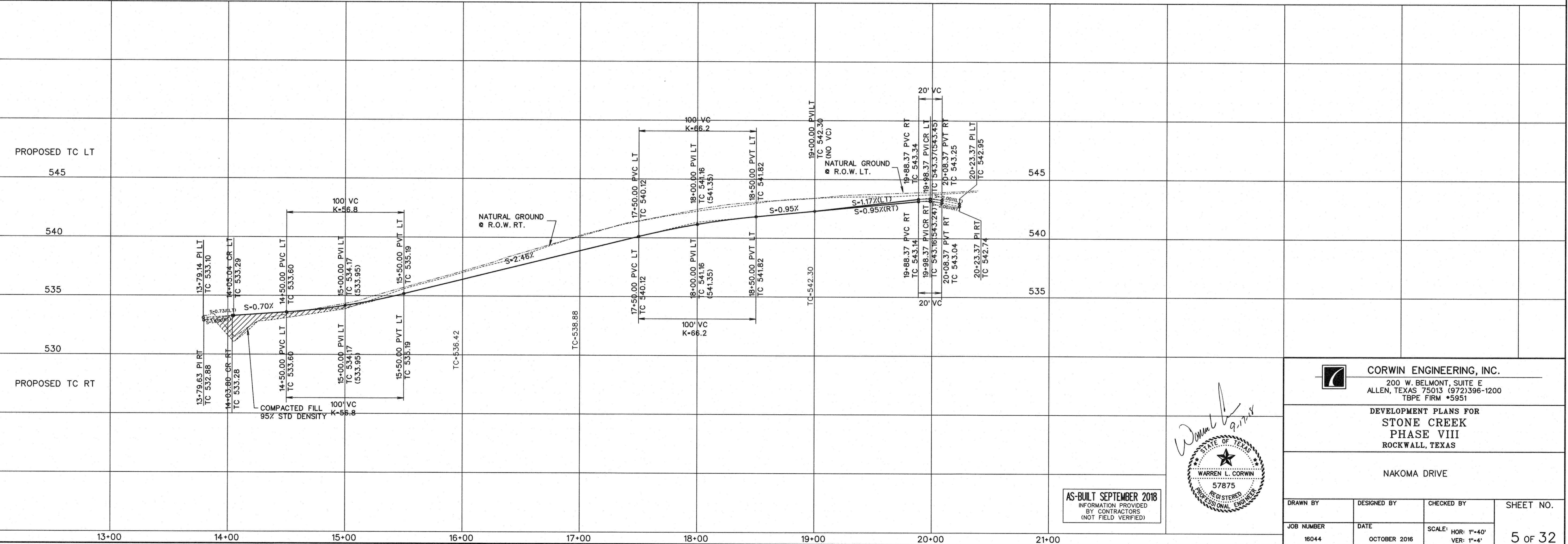
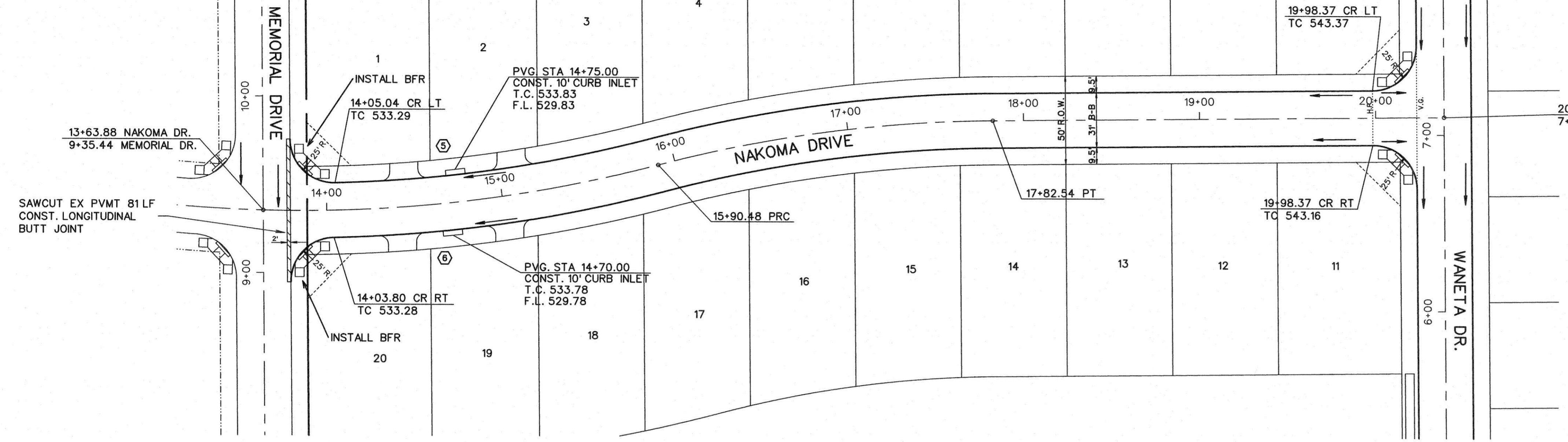


TYPICAL PAVEMENT SECTION - LAYDOWN CURB
N.T.S.

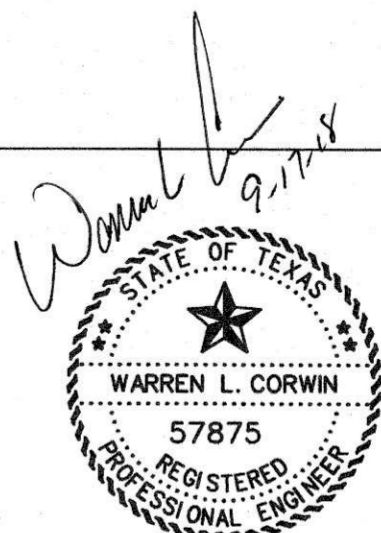
*MIN. 6 1/2 SACK/CY MIX IF HAND PLACED
MIN. 6 SACK/CY FOR MACHINE PLACED



BENCHMARK:
CITY OF ROCKWALL SURVEY MONUMENT ON AN INLET
AT THE NORTHWEST CORNER OF FEATHERSTONE DR. AND
HARVARD DR.
ELEV. = 525.31



AS-BUILT SEPTEMBER 2018
INFORMATION PROVIDED
BY CONTRACTORS
(NOT FIELD VERIFIED)



CORWIN ENGINEERING, INC.
200 W. BELMONT, SUITE E
ALLEN, TEXAS 75013 (972)396-1200
TBPE FIRM #5951

**DEVELOPMENT PLANS FOR
STONE CREEK
PHASE VIII
ROCKWALL, TEXAS**

NAKOMA DRIVE

DRAWN BY	DESIGNED BY	CHECKED BY	SHEET NO.
16044	OCTOBER 2016	SCALE: HOR: 1"=40' VER: 1"=4'	5 OF 32