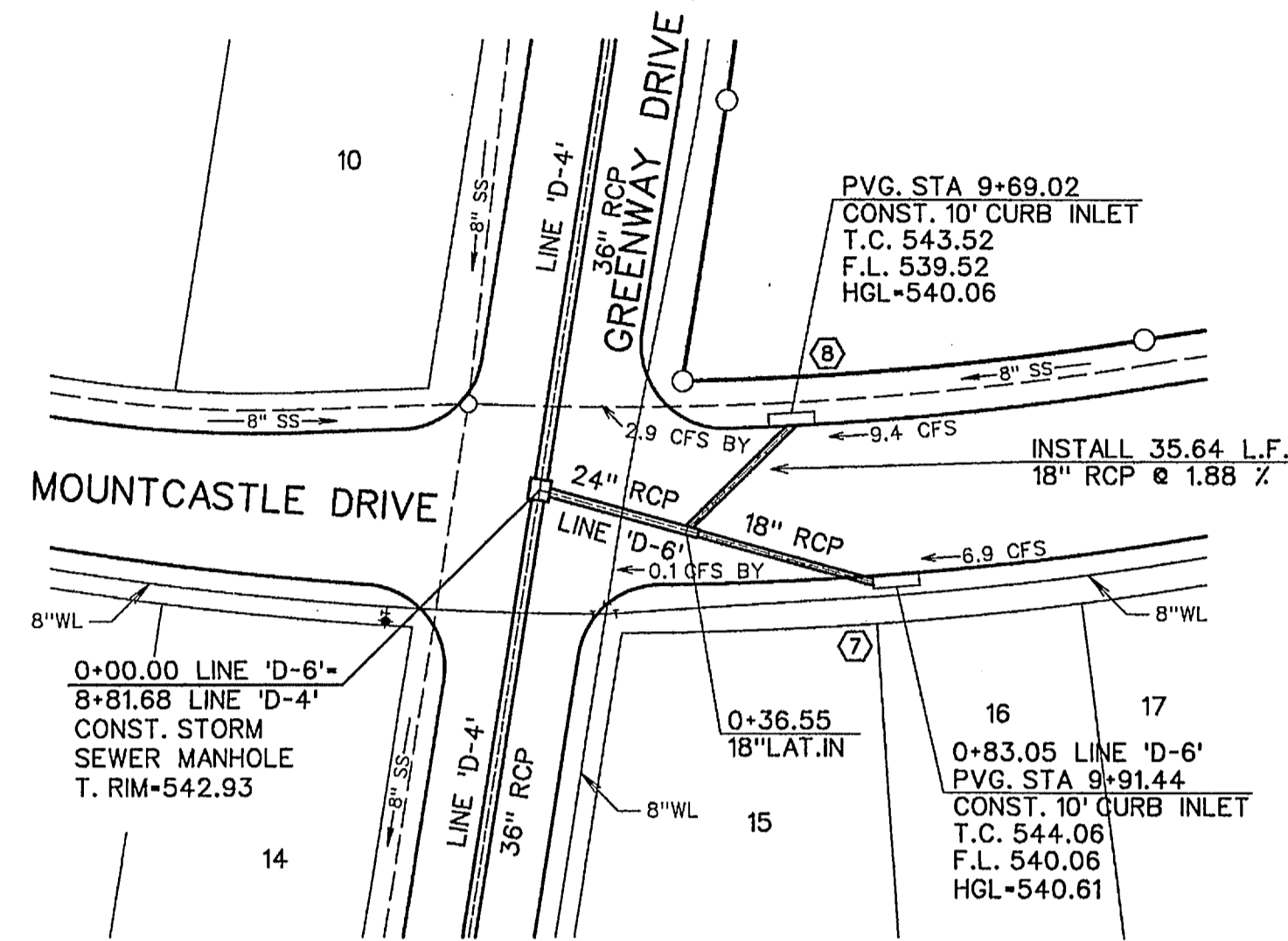
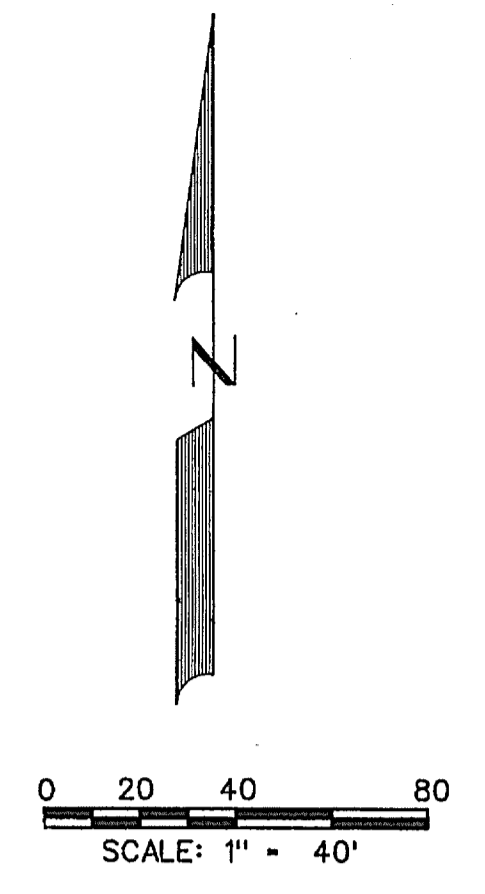


LINE 'D-5'

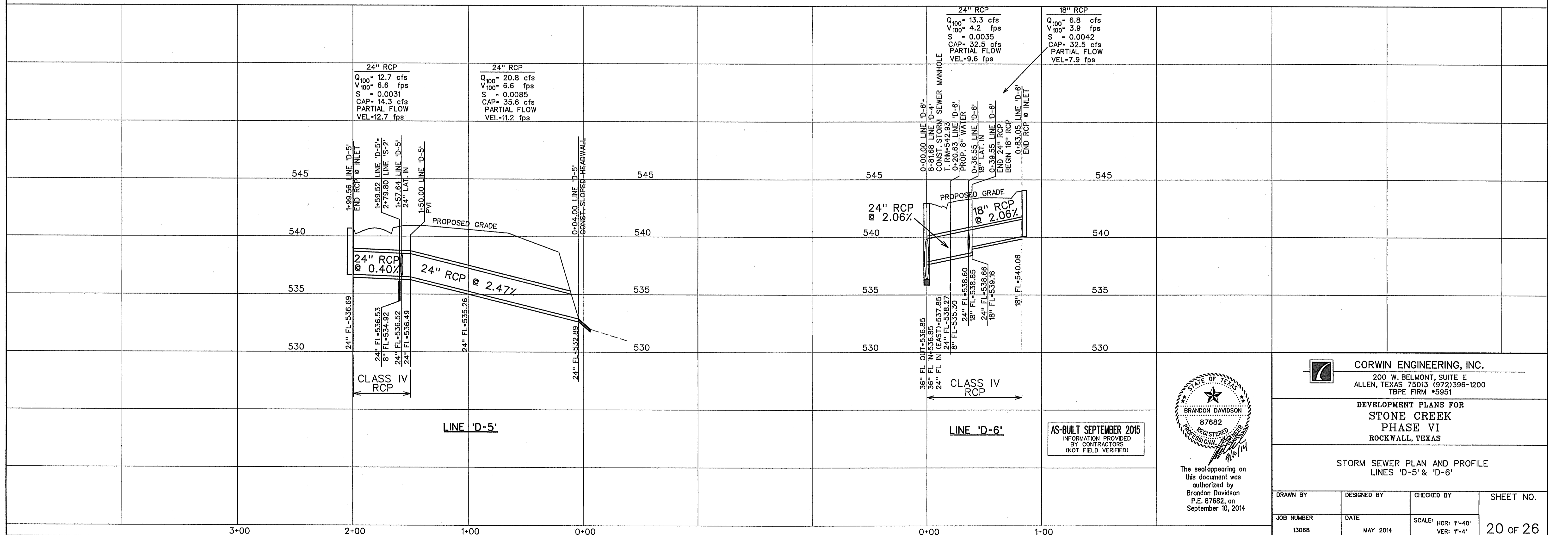


LINE 'D-6'



- LEGEND**
- (B) - BLOCK LABEL
 - (10) - INLET NUMBER
 - (1) - CURVE NUMBER
 - - SANITARY SEWER
 - ⊕ - WATER
 - ==== - PROPOSED STORM SEWER
 - ==== - EXISTING STORM SEWER

BENCHMARK:
 CITY OF ROCKWALL SURVEY MONUMENT ON AN INLET
 AT THE NORTHWEST CORNER OF FEATHERSTONE DR. AND
 HARVARD DR.
 ELEV. - 525.31



LINE 'D-5'

LINE 'D-6'

AS-BUILT SEPTEMBER 2015
 INFORMATION PROVIDED
 BY CONTRACTORS
 (NOT FIELD VERIFIED)



The seal appearing on this document was authorized by Brandon Davidson P.E. 87682, on September 10, 2014

CORWIN ENGINEERING, INC.
 200 W. BELMONT, SUITE E
 ALLEN, TEXAS 75013 (972)396-1200
 TPBE FIRM #5951

DEVELOPMENT PLANS FOR
STONE CREEK
 PHASE VI
 ROCKWALL, TEXAS

STORM SEWER PLAN AND PROFILE
 LINES 'D-5' & 'D-6'

DRAWN BY	DESIGNED BY	CHECKED BY	SHEET NO.
JOB NUMBER	DATE	SCALE: HOR: 1"=40' VER: 1"=4'	20 of 26
13068	MAY 2014		