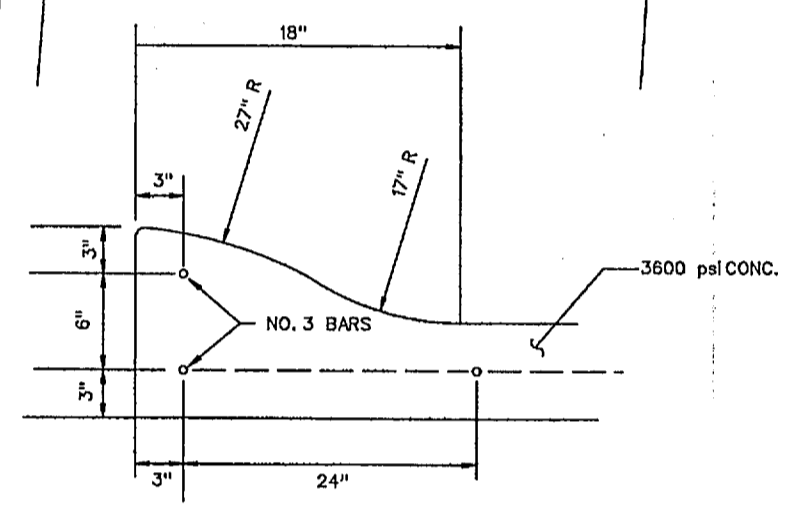
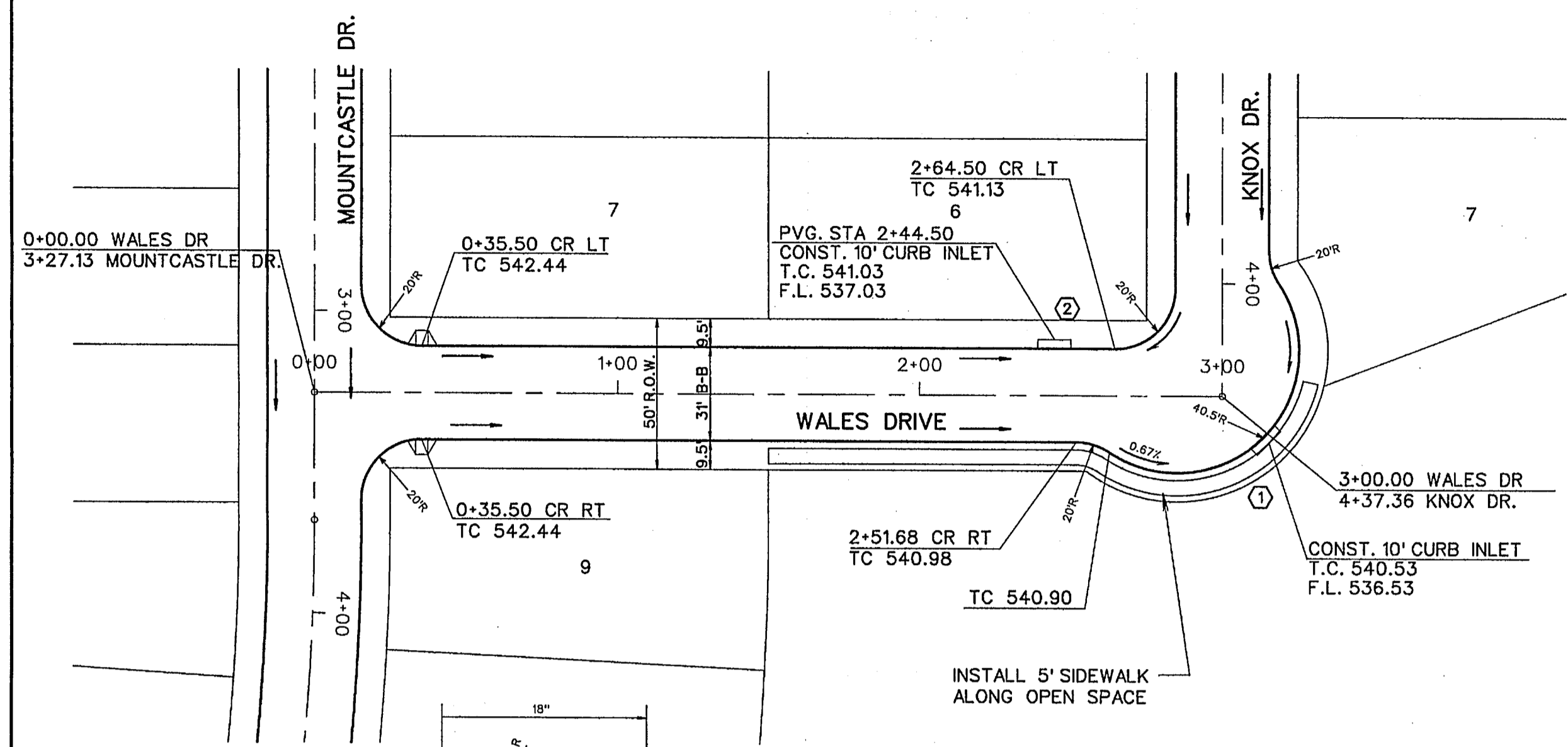
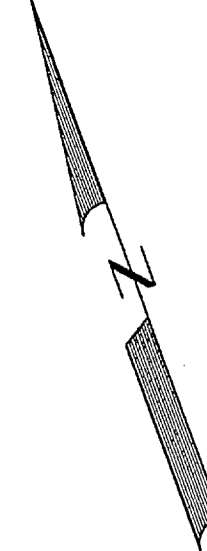
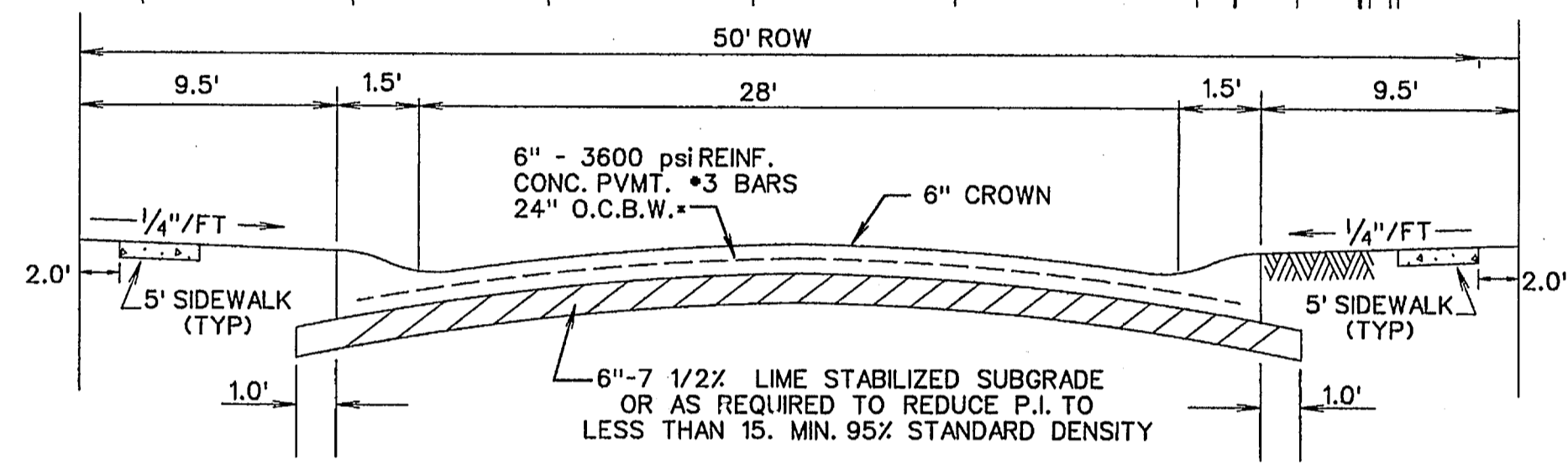
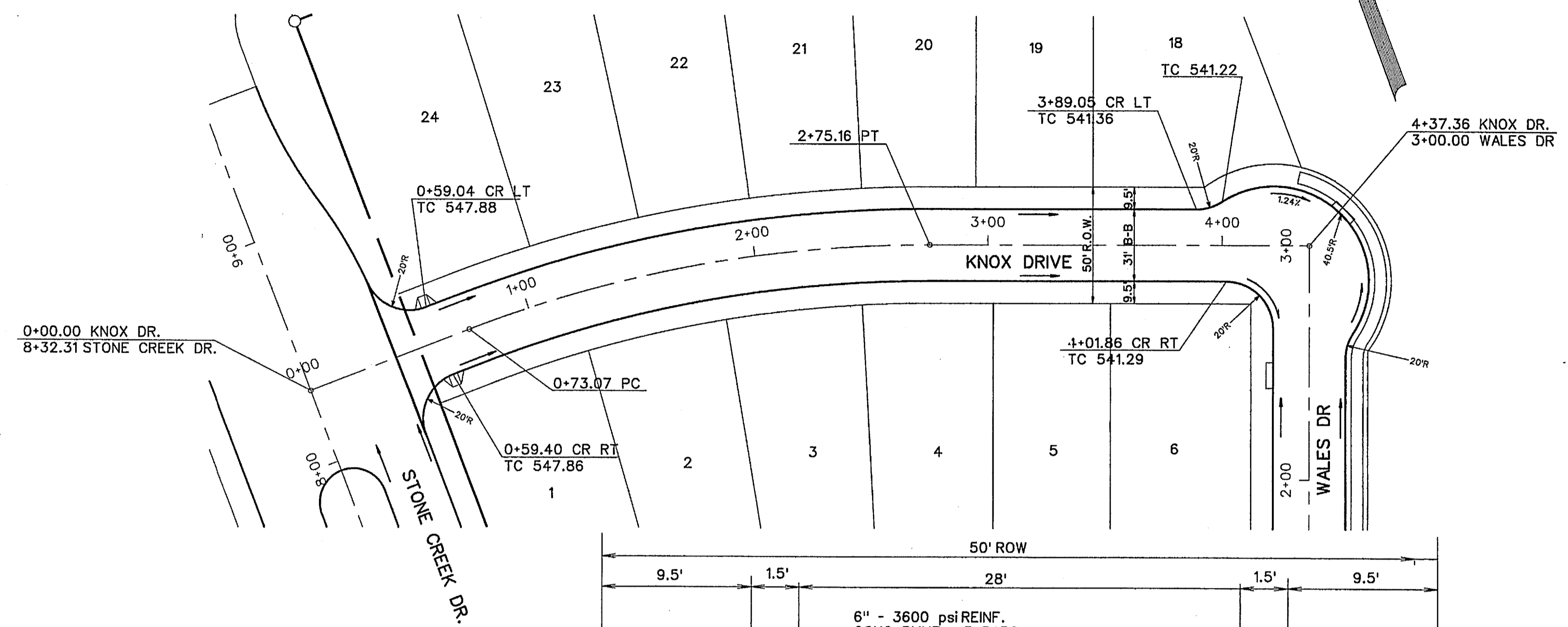


SCALE: 1" = 40'

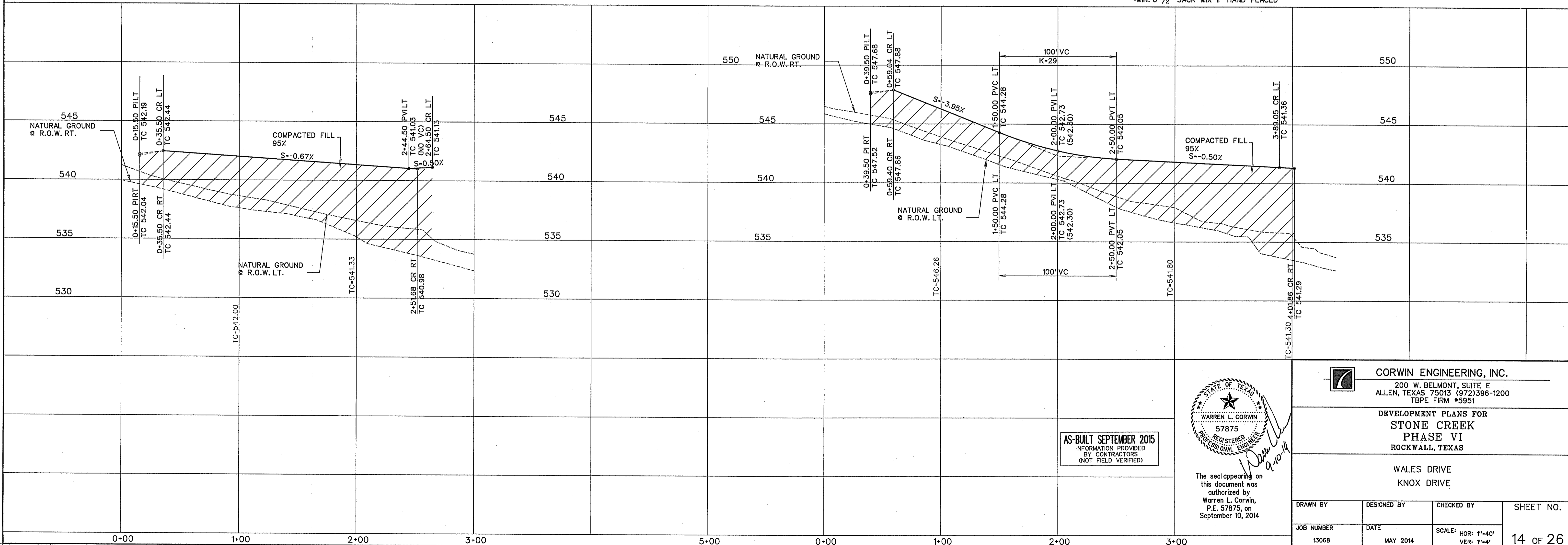


MONOLITHIC CURB  
N.T.S.

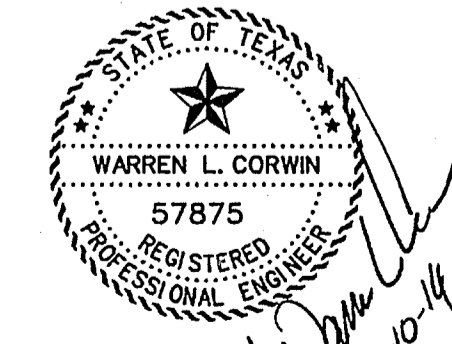


TYPICAL PAVEMENT SECTION - LAYDOWN CURB  
N.T.S.  
\*MIN. 6 1/2 SACK MIX IF HAND PLACED

BENCHMARK:  
CITY OF ROCKWALL SURVEY MONUMENT ON AN INLET  
AT THE NORTHWEST CORNER OF FEATHERSTONE DR. AND  
HARVARD DR.  
ELEV. 525.31



AS-BUILT SEPTEMBER 2015  
INFORMATION PROVIDED  
BY CONTRACTORS  
(NOT FIELD VERIFIED)



The seal appearing on  
this document was  
authorized by  
Warren L. Corwin,  
P.E. 57875, on  
September 10, 2014

CORWIN ENGINEERING, INC.  
200 W. BELMONT, SUITE E  
ALLEN, TEXAS 75013 (972)396-1200  
TBPE FIRM #5951

DEVELOPMENT PLANS FOR  
STONE CREEK  
PHASE VI  
ROCKWALL, TEXAS

WALES DRIVE  
KNOX DRIVE

DRAWN BY	DESIGNED BY	CHECKED BY	SHEET NO.
JOB NUMBER	DATE	SCALE: HOR: 1"=40' VER: 1"=4'	14 OF 26
13068	MAY 2014		