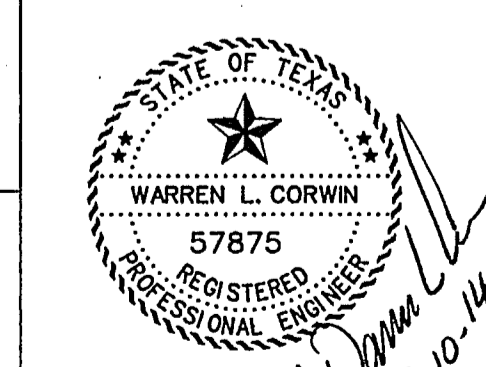
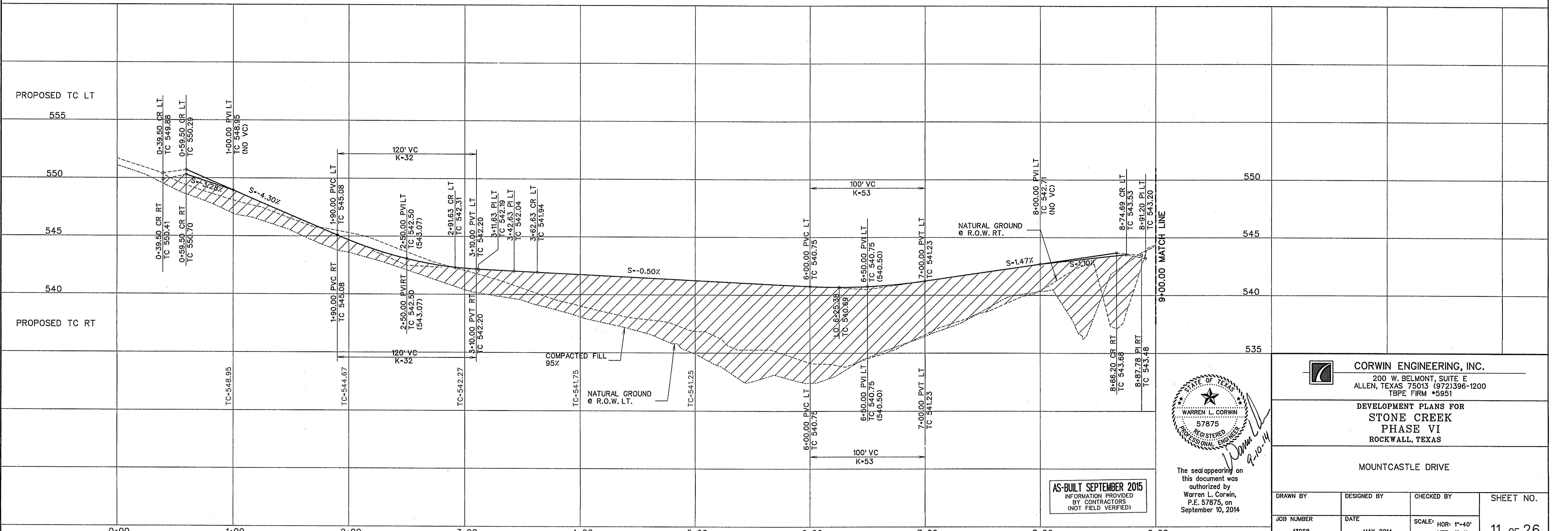
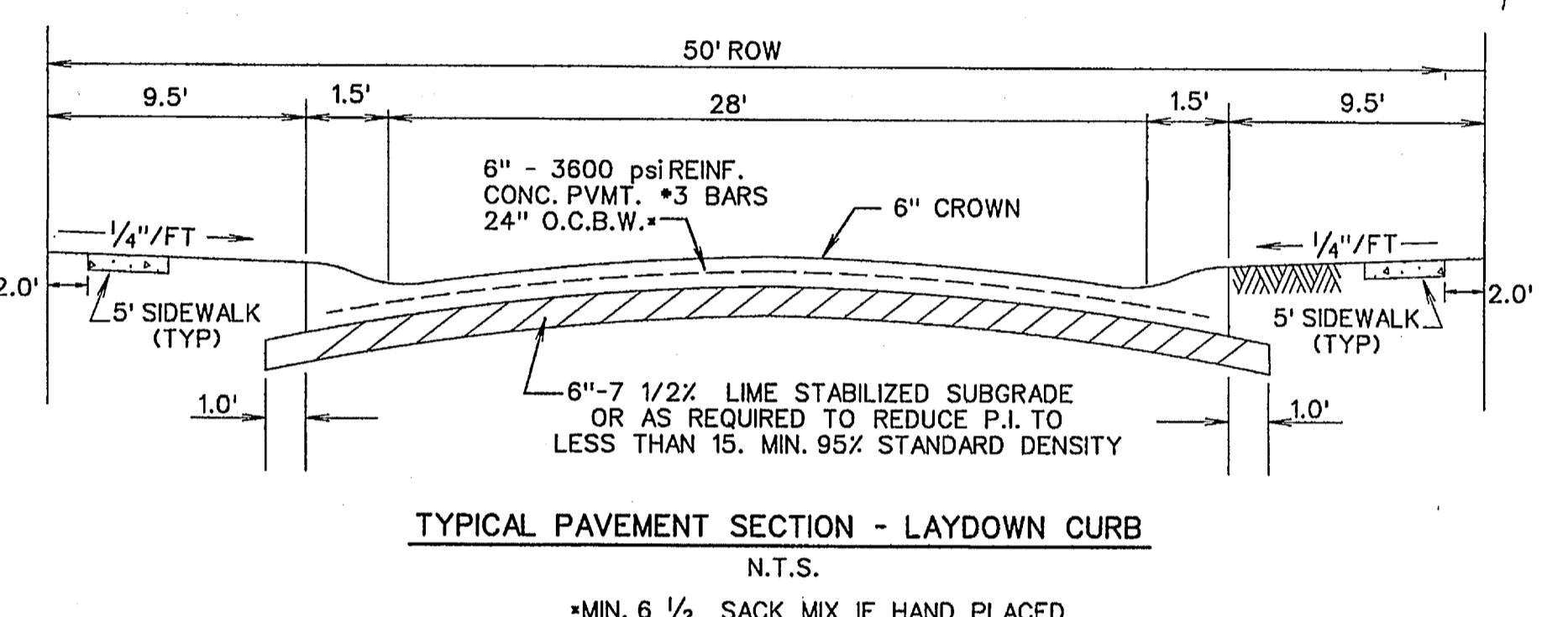
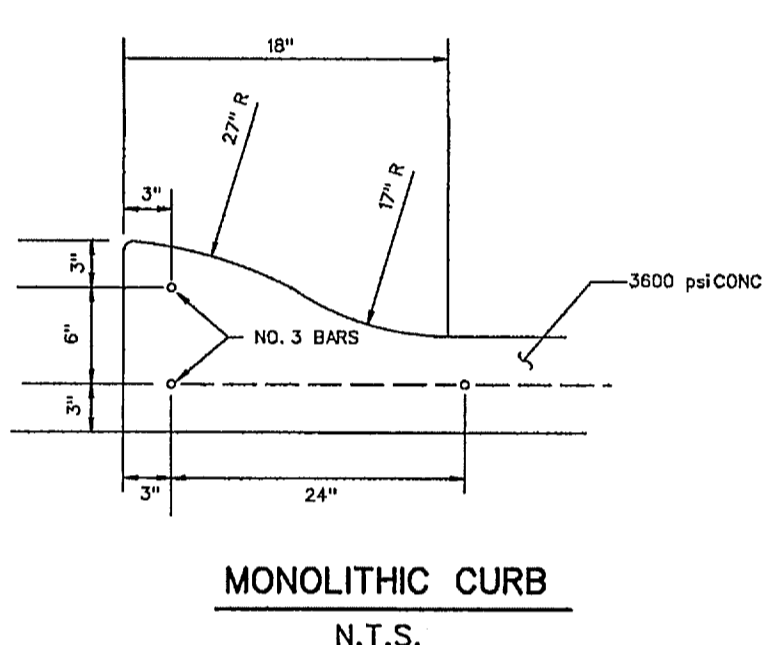
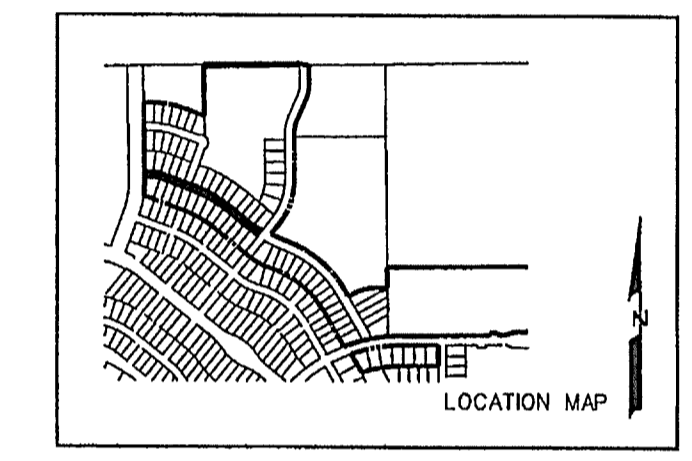


BENCHMARK:
CITY OF ROCKWALL SURVEY MONUMENT ON AN INLET
AT THE NORTHWEST CORNER OF FEATHERSTONE DR. AND
HARVARD DR.
ELEV. = 525.31



The seal appearing on this document was authorized by Warren L. Corwin, P.E. 57875, on September 10, 2014.

AS-BUILT SEPTEMBER 2015
INFORMATION PROVIDED BY CONTRACTORS (NOT FIELD VERIFIED)

CORWIN ENGINEERING, INC.
200 W. BELMONT, SUITE E
ALLEN, TEXAS 75013 (972)396-1200
TBPE FIRM #5951

DEVELOPMENT PLANS FOR
STONE CREEK
PHASE VI
ROCKWALL, TEXAS

MOUNTCASTLE DRIVE

DRAWN BY	DESIGNED BY	CHECKED BY	SHEET NO.
JOB NUMBER	DATE	SCALE: HOR: 1"=40' VER: 1"=4"	11 OF 26
13068	MAY 2014		