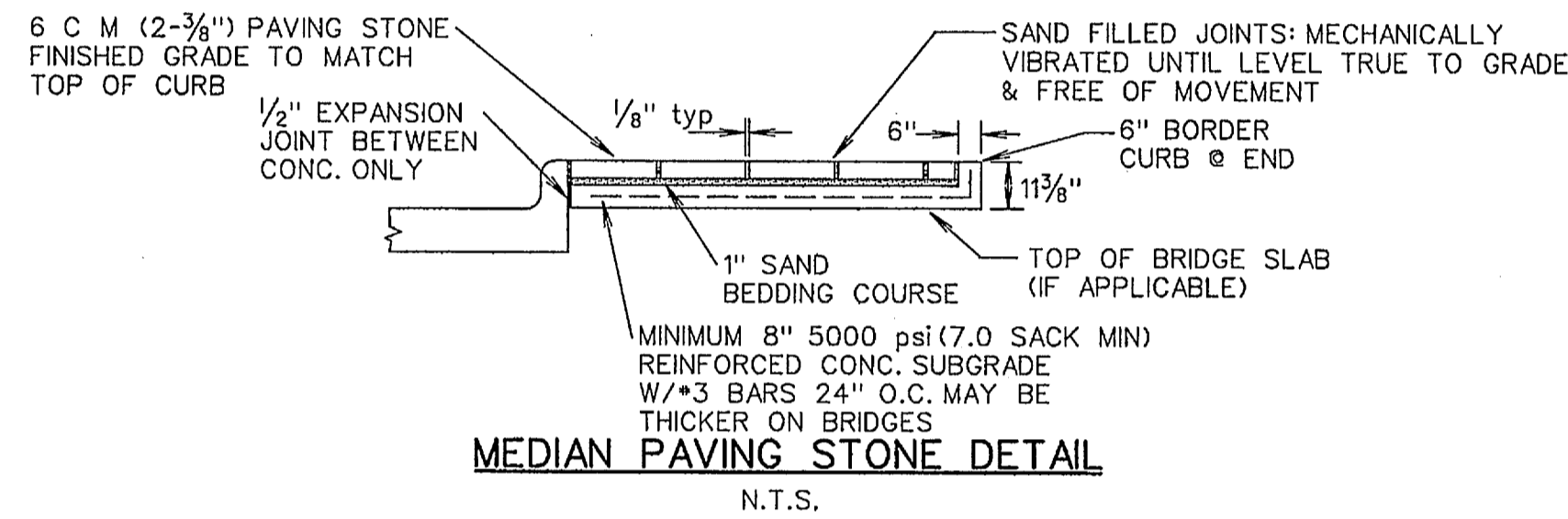
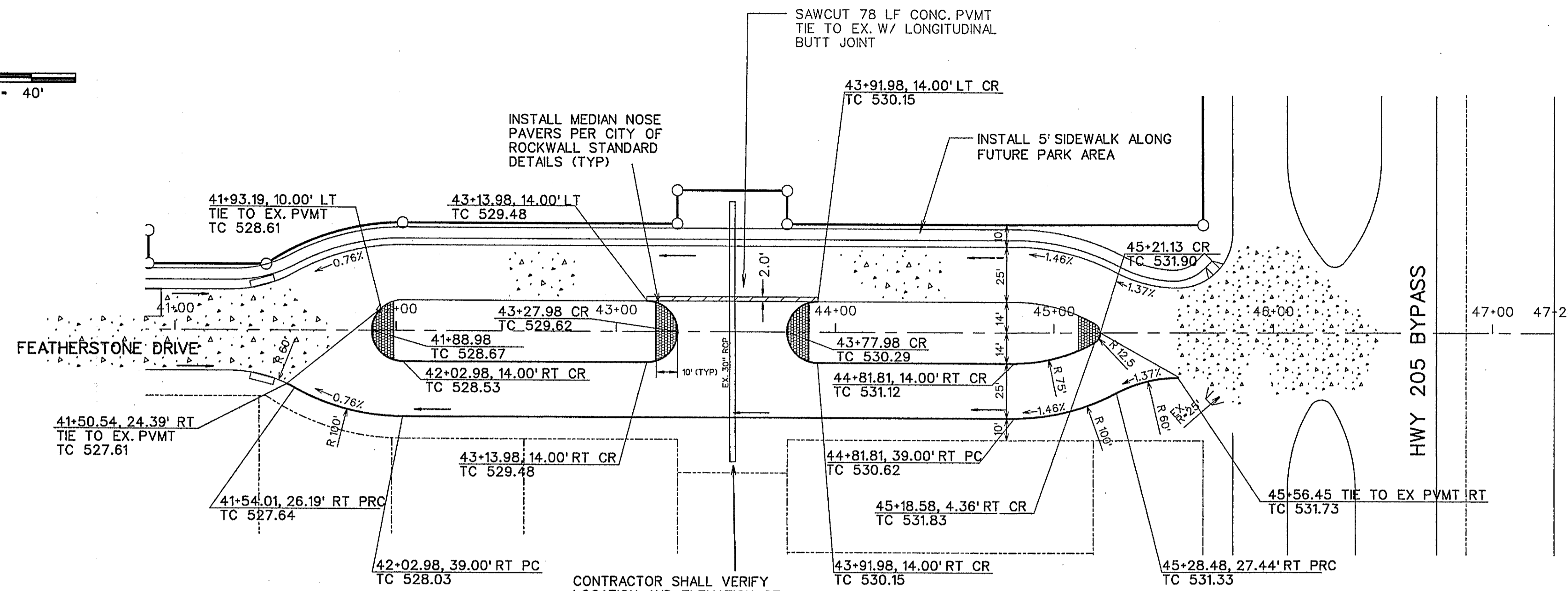
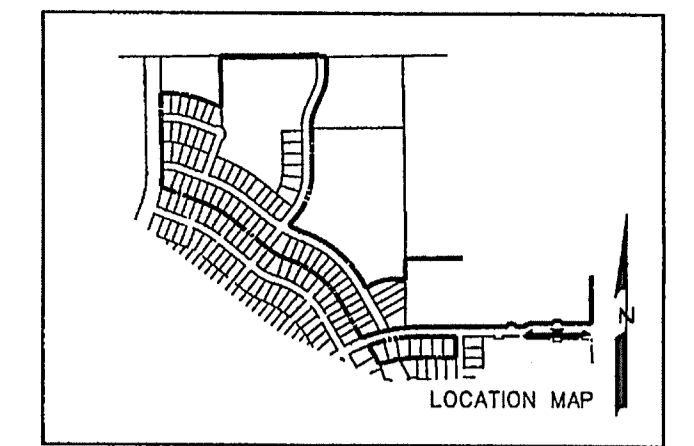


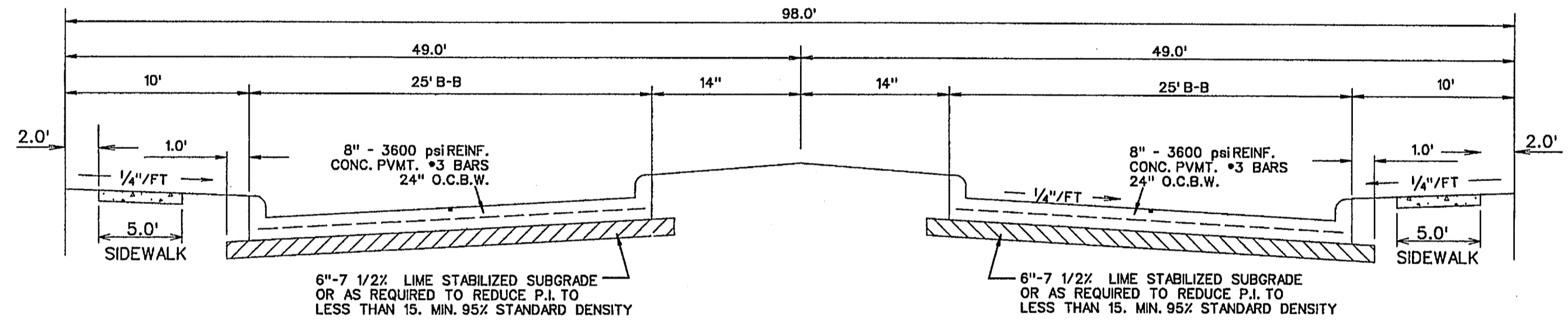


SCALE: 1" = 40'

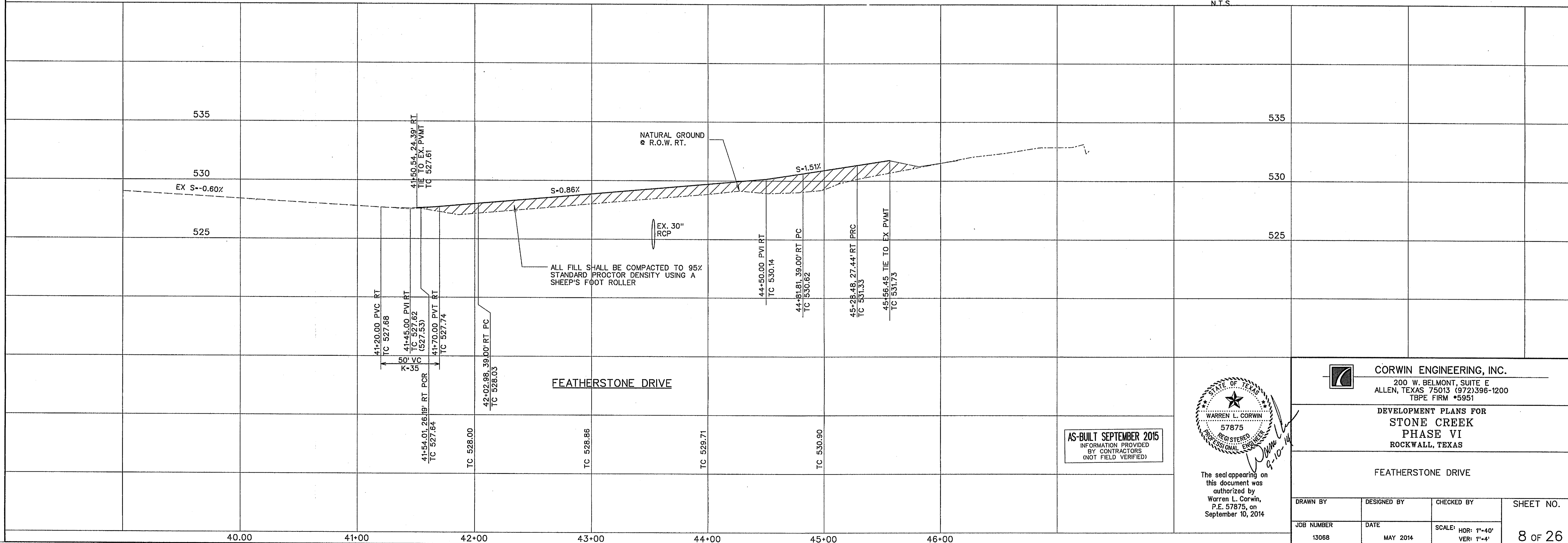


CONTRACTOR SHALL VERIFY LOCATION AND ELEVATION OF EXISTING STORM SEWER PIPE AT BOTH ENDS AT START OF CONSTRUCTION

BENCHMARK: CITY OF ROCKWALL SURVEY MONUMENT ON AN INLET AT THE NORTHWEST CORNER OF FEATHERSTONE DR. AND HARVARD DR. ELEV. = 525.31



TYPICAL SECTION - FEATHERSTONE N.T.S.



AS-BUILT SEPTEMBER 2015 INFORMATION PROVIDED BY CONTRACTORS (NOT FIELD VERIFIED)



The seal appearing on this document was authorized by Warren L. Corwin, P.E. 57875, on September 10, 2014

CORWIN ENGINEERING, INC. 200 W. BELMONT, SUITE E ALLEN, TEXAS 75013 (972)396-1200 TBPE FIRM #5951

DEVELOPMENT PLANS FOR STONE CREEK PHASE VI ROCKWALL, TEXAS

FEATHERSTONE DRIVE

DRAWN BY	DESIGNED BY	CHECKED BY	SHEET NO.
JOB NUMBER	DATE	SCALE: HOR: 1"=40'	8 OF 26
13068	MAY 2014	VER: 1"=4'	