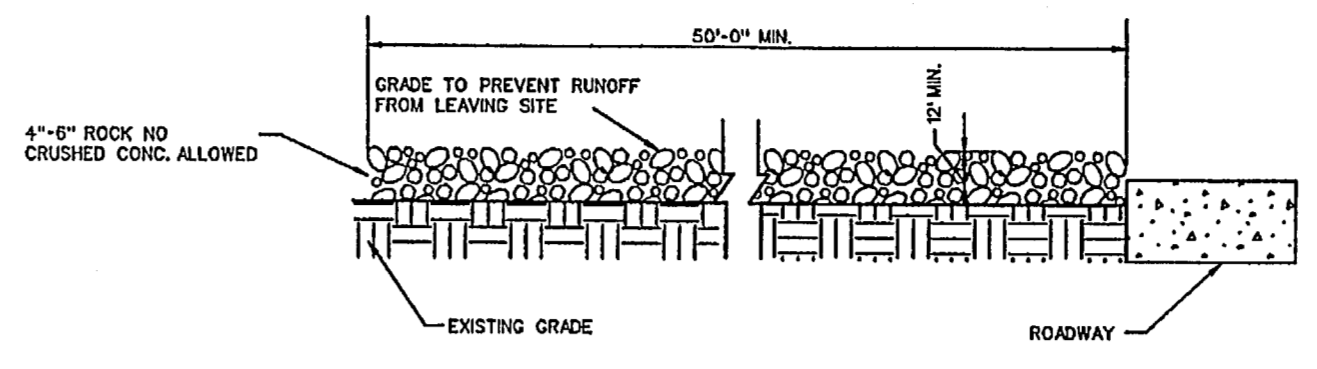
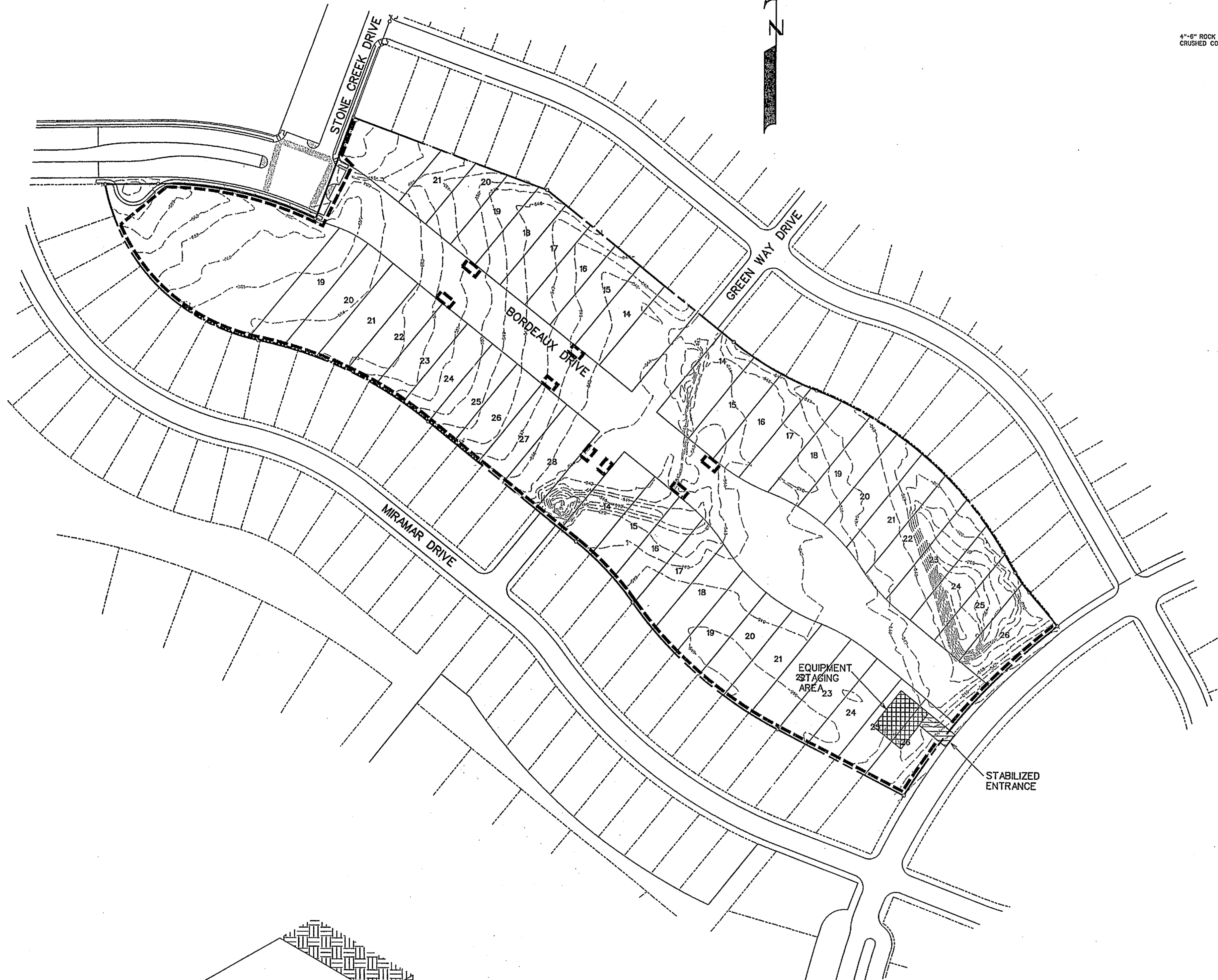
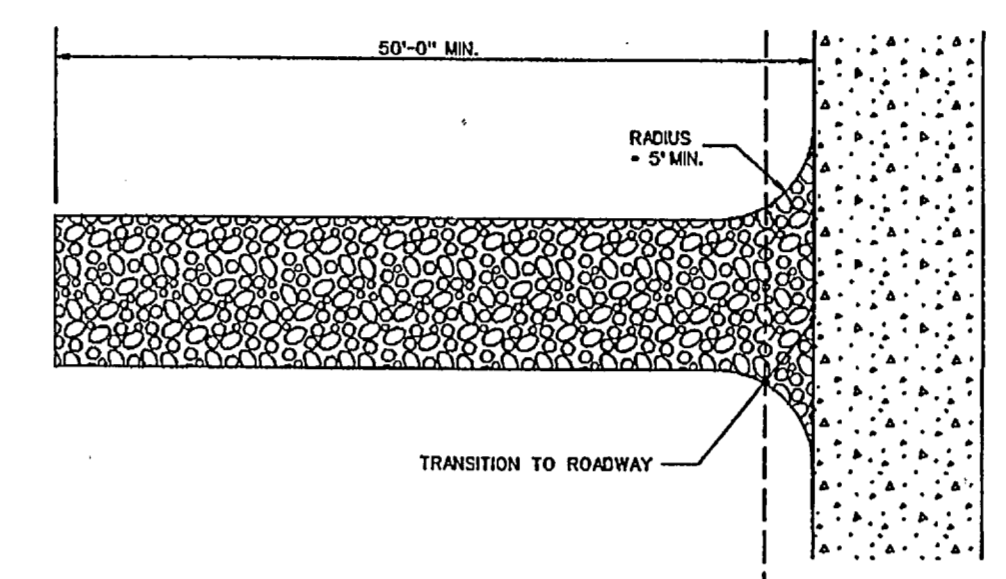


SCALE: 1" = 100'



PROFILE

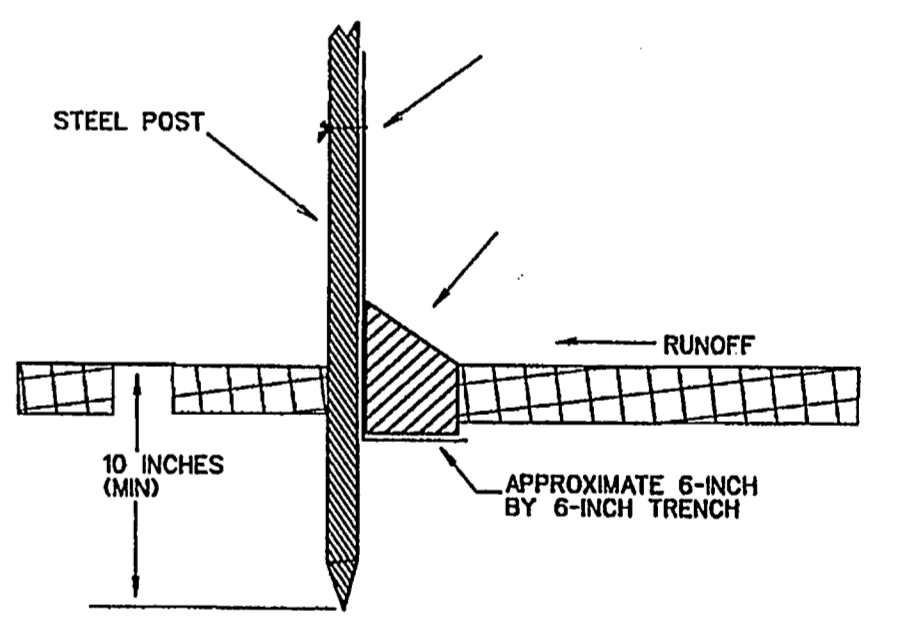
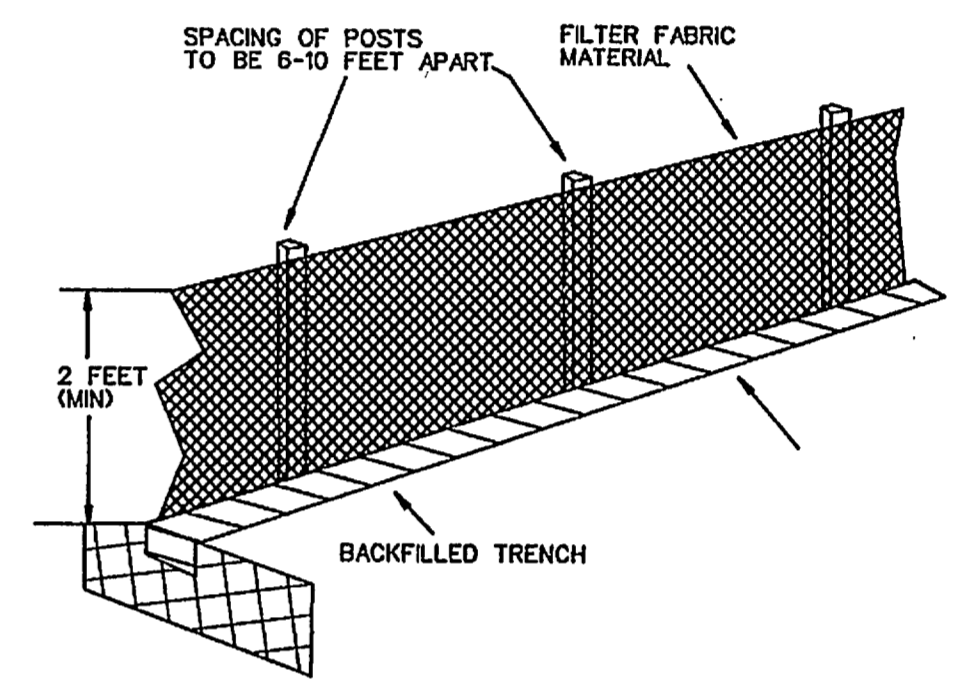


PLAN VIEW

STABILIZED ENTRANCE DETAIL

**CONSTRUCTION SEQUENCE**

1. GRADING CONTRACTOR TO INSTALL TEMPORARY STABILIZED ENTRANCE.
2. INSTALL SILT FENCE AS SHOWN, (TS-600 POLY FELT) PER C.O.G. SPECIFICATIONS.
3. PERFORM GRADING AND UTILITY CONSTRUCTION.
4. AFTER THE INLET BOTTOMS ARE CONSTRUCTED, THE INLETS SHALL BE FILLED WITH STONE AND COVERED WITH A FILTER FABRIC (TS-600 POLY FELT OR EQUIVALENT) BY UTILITY CONTRACTOR.
5. PRIOR TO CITY RELEASING PAVING, SOD OR SEEDED CURLEX SHALL BE INSTALLED ON SIDES AND BOTTOM OF ALL DETENTION PONDS.
6. AFTER PAVING AND COMPLETION OF INLETS, INLET FILTERS SHALL BE INSTALLED IN ALL INLETS AND MAINTAINED UNTIL RE-VEGETATION HAS BEEN COMPLETED BY PAVING CONTRACTOR.
7. SILT FENCE SHALL REMAIN IN PLACE UNTIL RE-VEGETATION HAS BEEN COMPLETED.
8. PAVING CONTRACTOR SHALL REMOVE TEMPORARY STABILIZED ENTRANCE.
9. PRIOR TO CITY ACCEPTANCE THE PAVING CONTRACTOR SHALL BE RESPONSIBLE FOR REMOVING ANY MUD OR SILT WHICH COLLECTS ON THE EXISTING AND NEW PAVEMENT.
10. PRIOR TO CITY ACCEPTANCE 75-80% OF ALL DISTURBED AREA SHALL HAVE A MIN. 1" TALL GRASS ESTABLISHED.

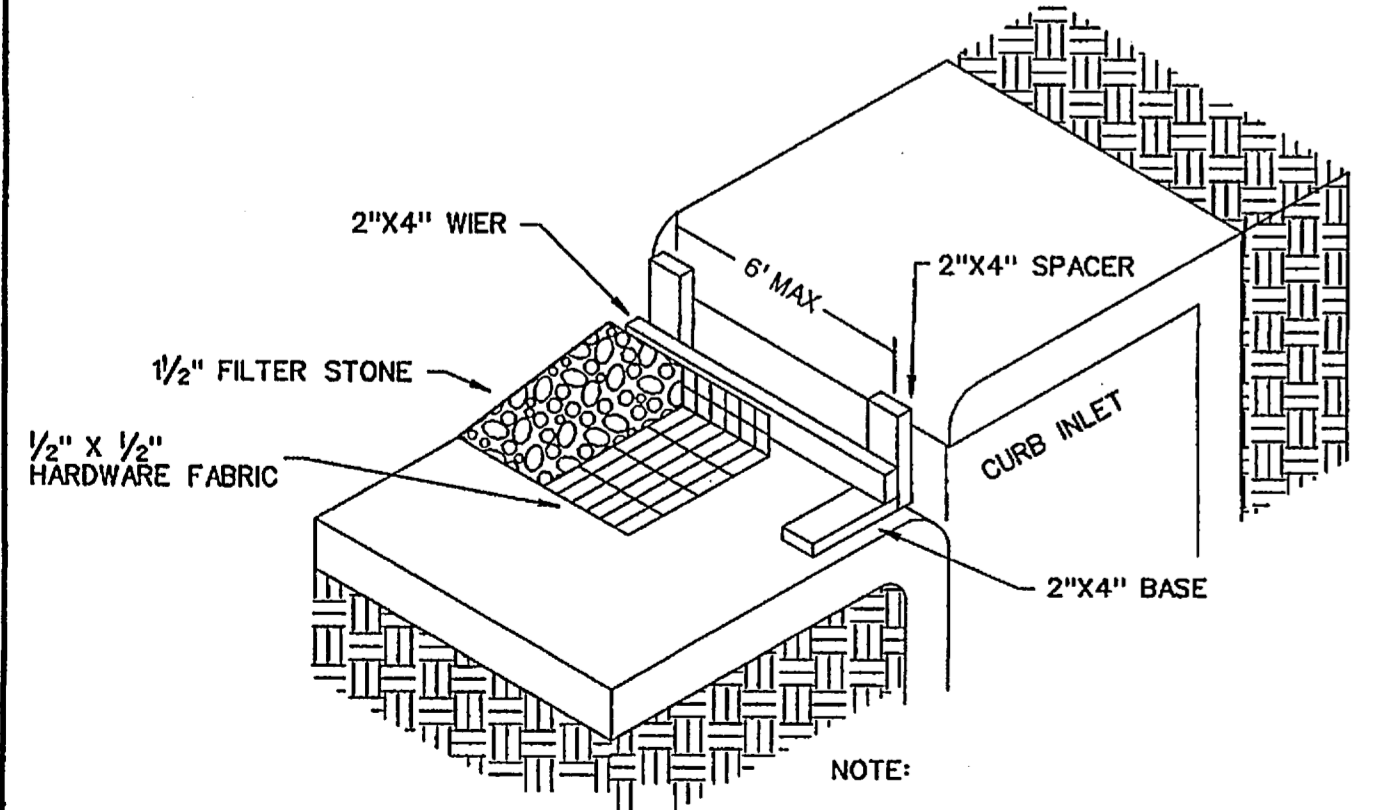


FILTER FABRIC FENCE DETAIL

RELEASED FOR CONSTRUCTION  
 ALL RESPONSIBILITY FOR ADEQUACY OF DESIGN REMAINS WITH THE DESIGN ENGINEER. THE CITY OF ROCKWALL, IN REVIEWING AND RELEASING PLANS FOR CONSTRUCTION, ASSUMES NO RESPONSIBILITY FOR ADEQUACY OR ACCURACY OF DESIGN.

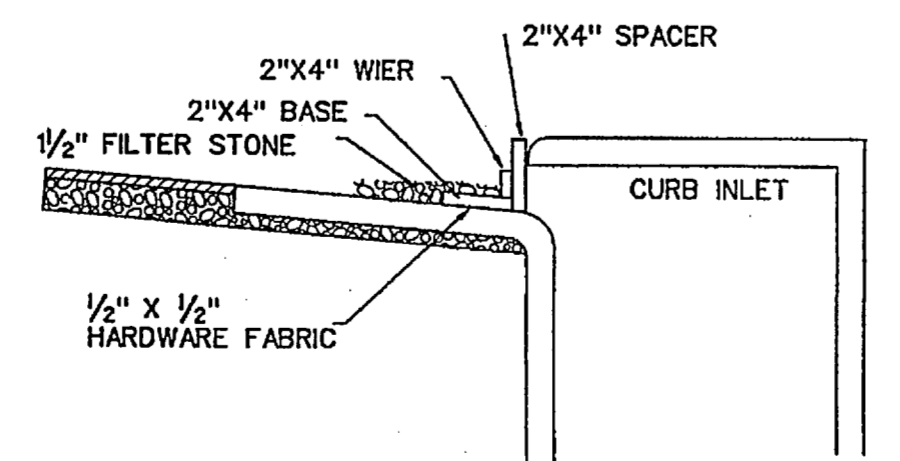
LEGEND CITY \_\_\_\_\_ DATE \_\_\_\_\_

- SILT FENCE (BEFORE CONSTRUCTION) - - - - -
- INLET PROTECTION [Symbol]



NOTE:  
 EXTEND FABRIC, FRAME AND FILTER STONE 12' BEYOND END OF INLET ON BOTH ENDS.

TYPE B CURB INLET PROTECTION



INLET SECTION

|   |             |            |           |
|---|-------------|------------|-----------|
| <b>CORWIN ENGINEERING, INC.</b><br>200 W. BELMONT, SUITE E<br>ALLEN, TEXAS 75013 (972)396-1200<br>TYPE FIRM #5951 |             |            |           |
| DEVELOPMENT PLANS FOR<br><b>STONE CREEK</b><br><b>PHASE V</b><br>ROCKWALL, TEXAS                                  |             |            |           |
| EROSION CONTROL PLAN  |             |            |           |
| DRAWN BY  | DESIGNED BY | CHECKED BY | SHEET NO. |
| JOB NUMBER  | DATE        | SCALE:     | 12 OF 12  |
| 13045   | JULY 2013   | 1"=100'    |           |