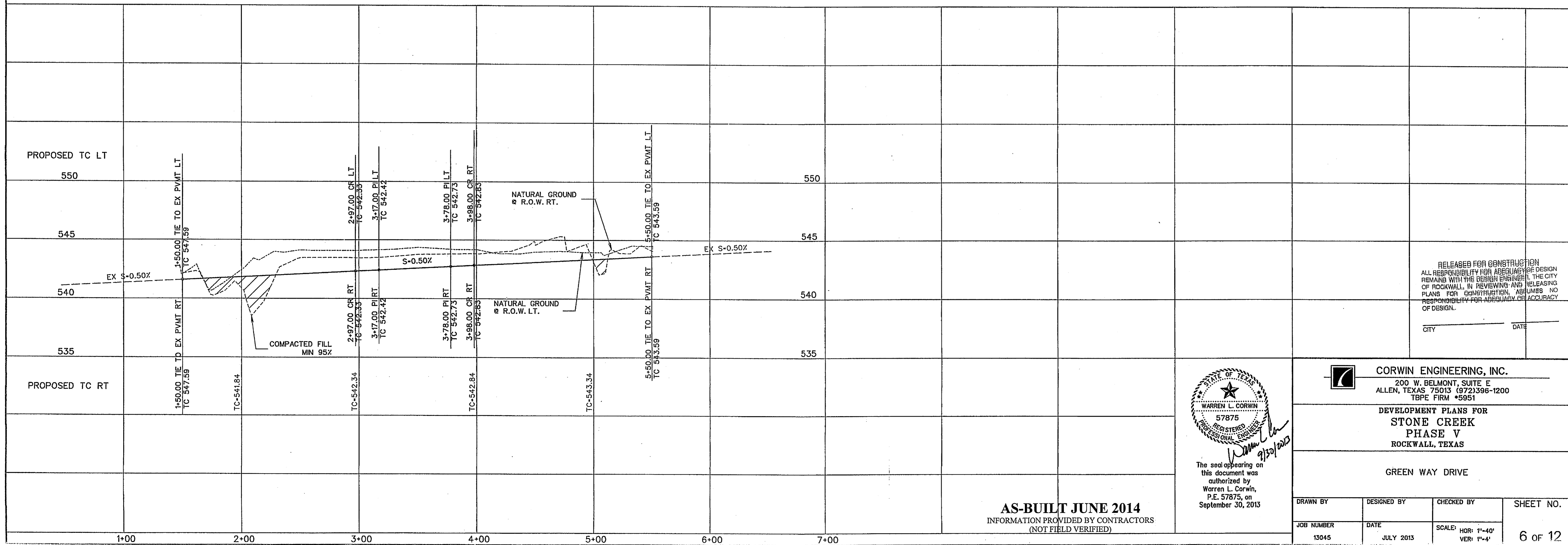
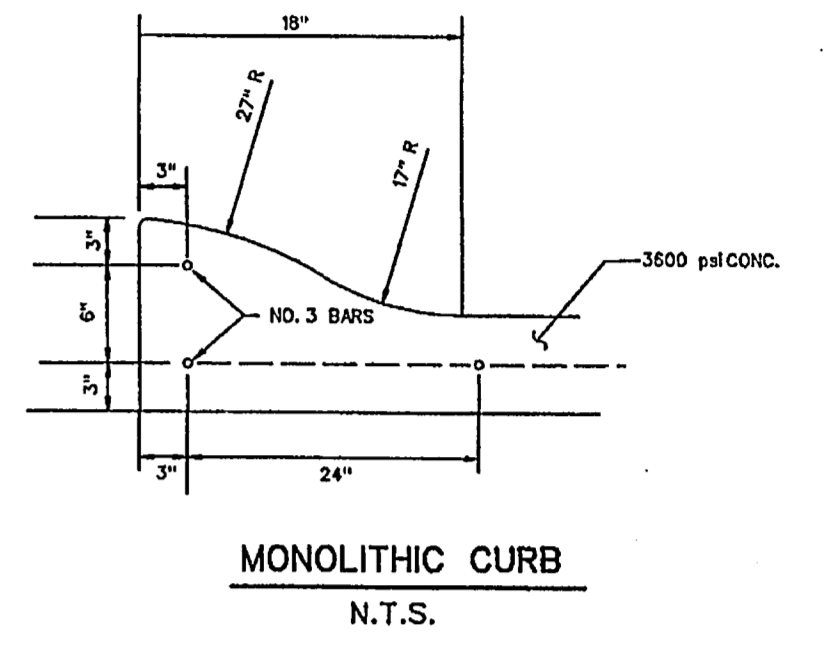
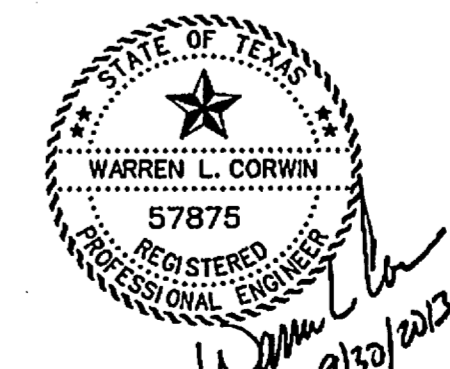


TYPICAL PAVEMENT SECTION - LAYDOWN CURB  
N.T.S.  
\*MIN. 6 1/2 SACK MIX IF HAND PLACED  
MIN. 6 SACK MIX IF MACHINE PLACED



RELEASED FOR CONSTRUCTION  
ALL RESPONSIBILITY FOR ADEQUACY OF DESIGN  
REMAINS WITH THE DESIGN ENGINEER. THE CITY  
OF ROCKWALL, IN REVIEWING AND RELEASING  
PLANS FOR CONSTRUCTION, ASSUMES NO  
RESPONSIBILITY FOR ADEQUACY OR ACCURACY  
OF DESIGN.  
CITY \_\_\_\_\_ DATE \_\_\_\_\_



The seal appearing on  
this document was  
authorized by  
Warren L. Corwin,  
P.E. 57875, on  
September 30, 2013

**CORWIN ENGINEERING, INC.**  
200 W. BELMONT, SUITE E  
ALLEN, TEXAS 75013 (972)396-1200  
TBPE FIRM #5951  
DEVELOPMENT PLANS FOR  
**STONE CREEK**  
PHASE V  
ROCKWALL, TEXAS

GREEN WAY DRIVE

**AS-BUILT JUNE 2014**  
INFORMATION PROVIDED BY CONTRACTORS  
(NOT FIELD VERIFIED)

DRAWN BY	DESIGNED BY	CHECKED BY	SHEET NO.
JOB NUMBER	DATE	SCALE: HOR: 1"=40' VER: 1"=4'	6 OF 12
13045	JULY 2013		