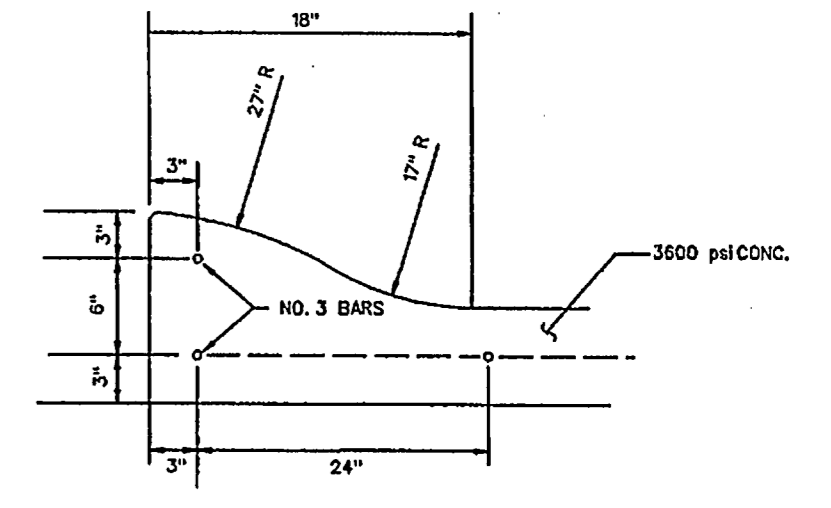
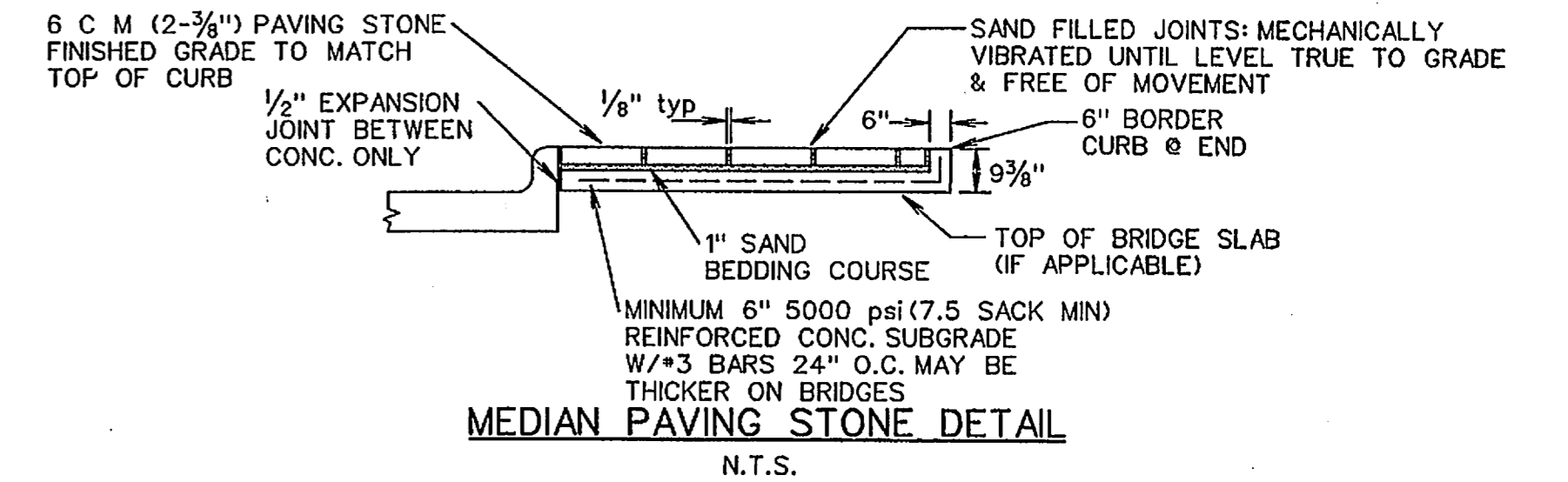


**TYPICAL PAVEMENT SECTION**  
N.T.S.  
\*MIN. 6 1/2 SACK MIX IF HAND PLACED  
MIN. 6 SACK MIX IF MACHINE PLACED

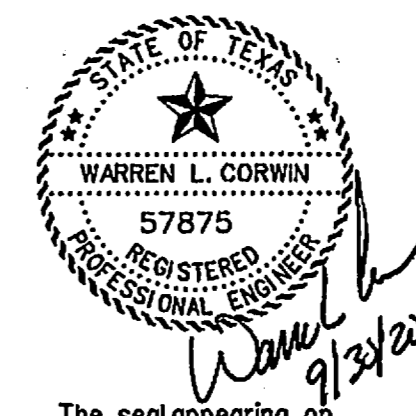
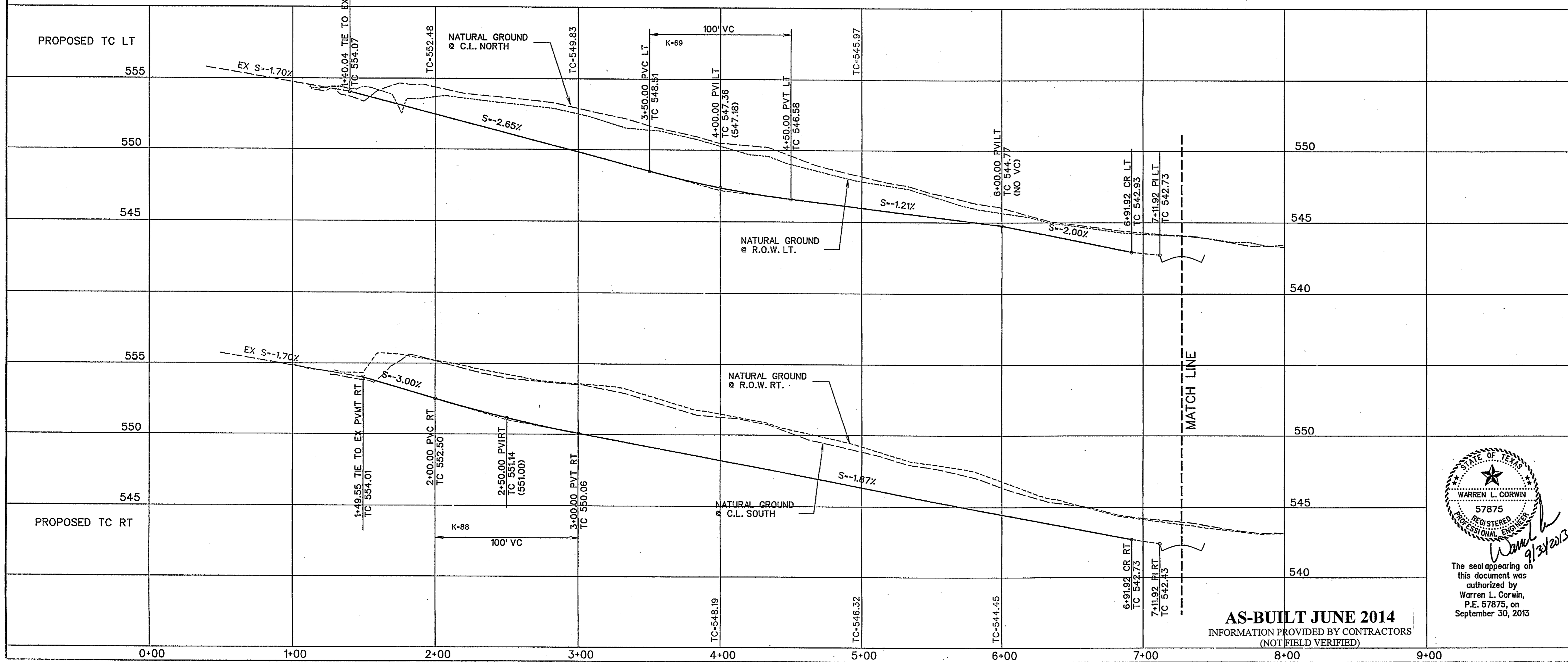
INSTALL SIGN  
"NO PARKING ANY TIME"  
18" x 12"



**MONOLITHIC CURB**  
N.T.S.



**MEDIAN PAVING STONE DETAIL**  
N.T.S.



The seal appearing on this document was authorized by Warren L. Corwin, P.E. 57875, on September 30, 2013

RELEASED FOR CONSTRUCTION  
ALL RESPONSIBILITY FOR ADEQUACY OF DESIGN REMAINS WITH THE DESIGN ENGINEER. THE CITY OF ROCKWALL, IN REVIEWING AND RELEASING PLANS FOR CONSTRUCTION, ASSUMES NO RESPONSIBILITY FOR ADEQUACY OR ACCURACY OF DESIGN.

CITY \_\_\_\_\_ DATE \_\_\_\_\_

**CORWIN ENGINEERING, INC.**  
200 W. BELMONT, SUITE E  
ALLEN, TEXAS 75013 (972)396-1200  
TBPE FIRM #5951

DEVELOPMENT PLANS FOR  
**STONE CREEK**  
PHASE V  
ROCKWALL, TEXAS

BORDEAUX DRIVE

**AS-BUILT JUNE 2014**  
INFORMATION PROVIDED BY CONTRACTORS  
(NOT FIELD VERIFIED)

DRAWN BY	DESIGNED BY	CHECKED BY	SHEET NO. 4 OF 12
JOB NUMBER 13045	DATE JULY 2013	SCALE: HOR: 1"=40' VER: 1"=4'	