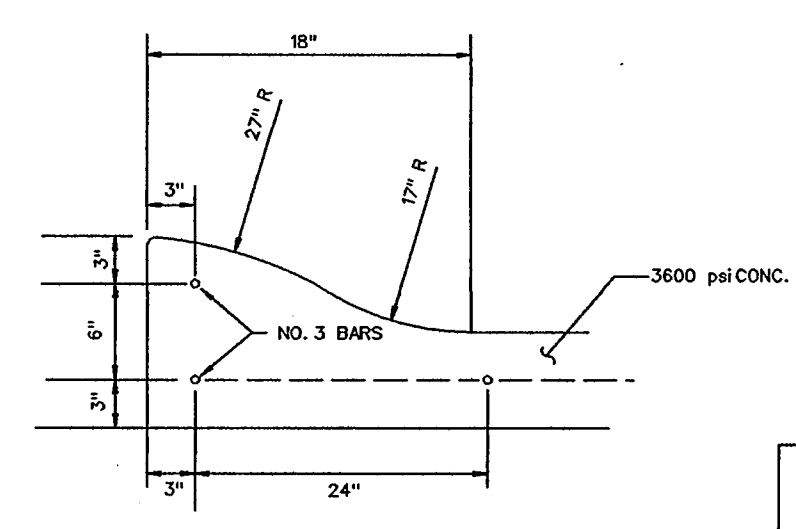
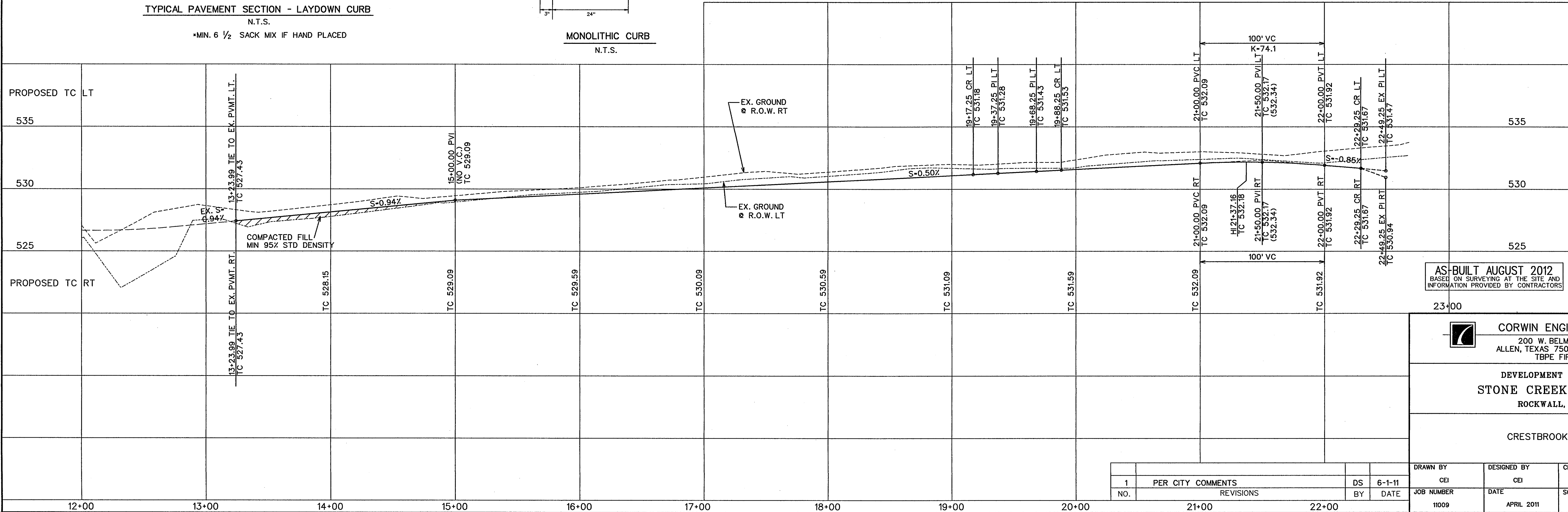
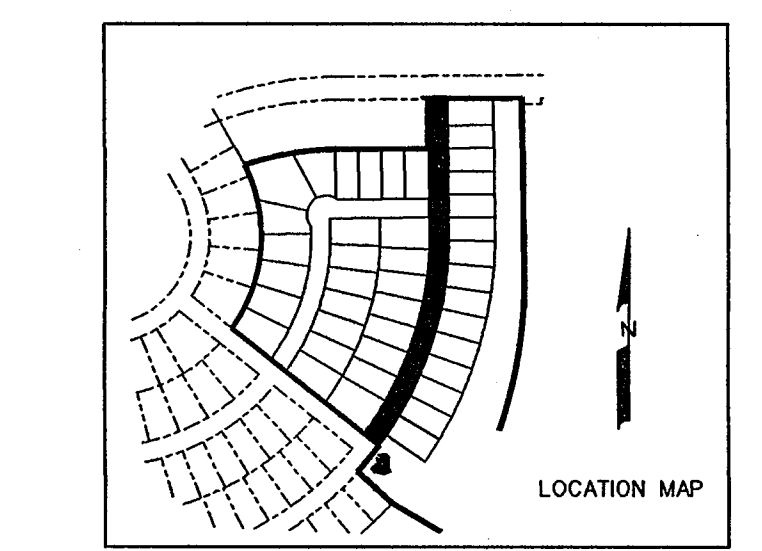


TYPICAL PAVEMENT SECTION - LAYDOWN CURB
N.T.S.
*MIN. 6 1/2 SACK MIX IF HAND PLACED



MONOLITHIC CURB
N.T.S.



The seal appearing on this document was authorized by Brandon Davidson P.E. 87682, on August 16, 2012

AS-BUILT AUGUST 2012
BASED ON SURVEYING AT THE SITE AND INFORMATION PROVIDED BY CONTRACTORS

CORWIN ENGINEERING, INC.
200 W. BELMONT, SUITE E
ALLEN, TEXAS 75013 (972) 396-1200
TBPE FIRM #5951

DEVELOPMENT PLANS FOR
STONE CREEK PHASE IIA
ROCKWALL, TEXAS

CRESTBROOK DRIVE

1	PER CITY COMMENTS	DS	6-1-11	DRAWN BY CEI	DESIGNED BY CEI	CHECKED BY CEI	SHEET NO. 5 OF 11
NO.	REVISIONS	BY	DATE				
11009			APRIL 2011				