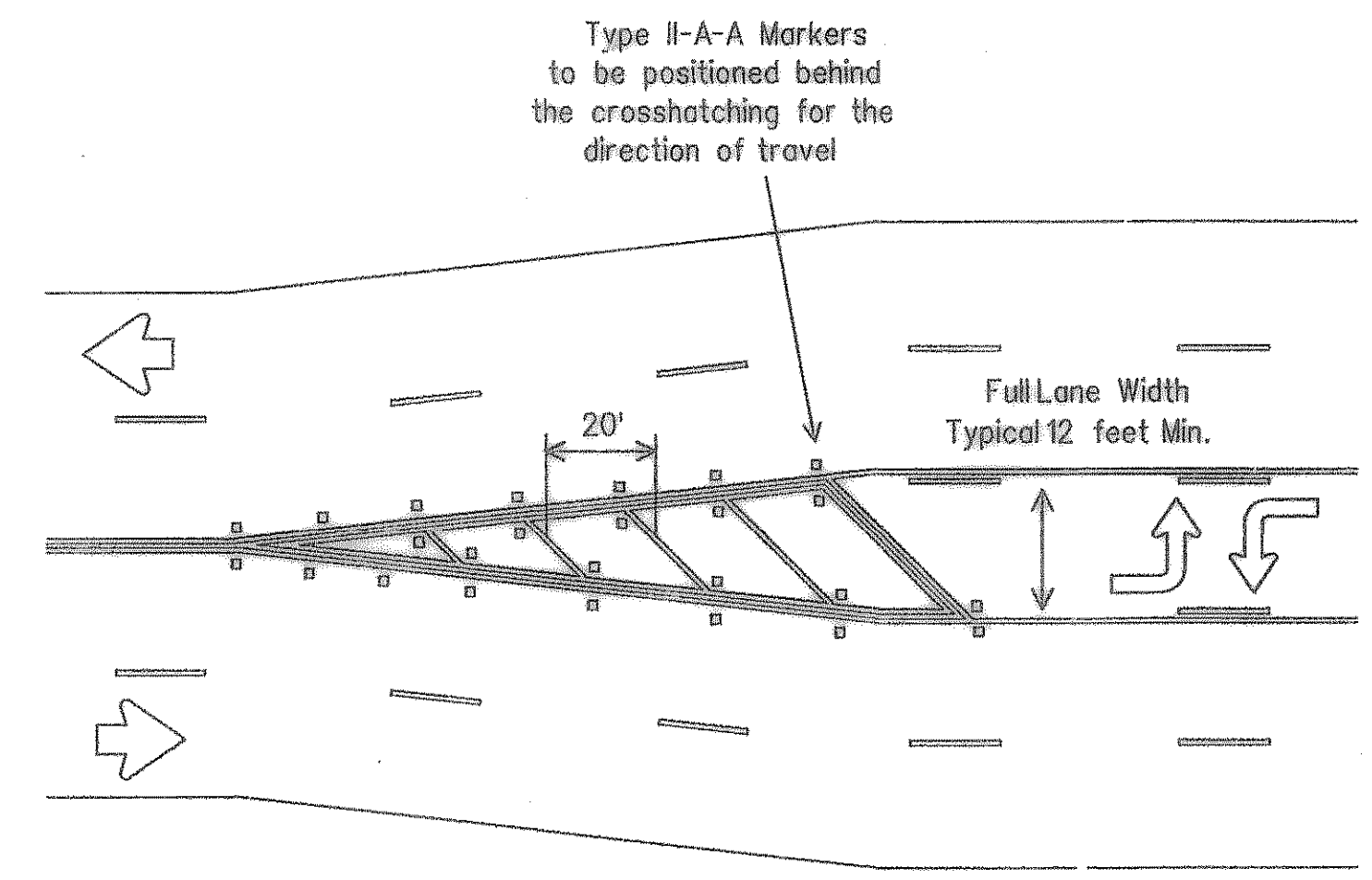
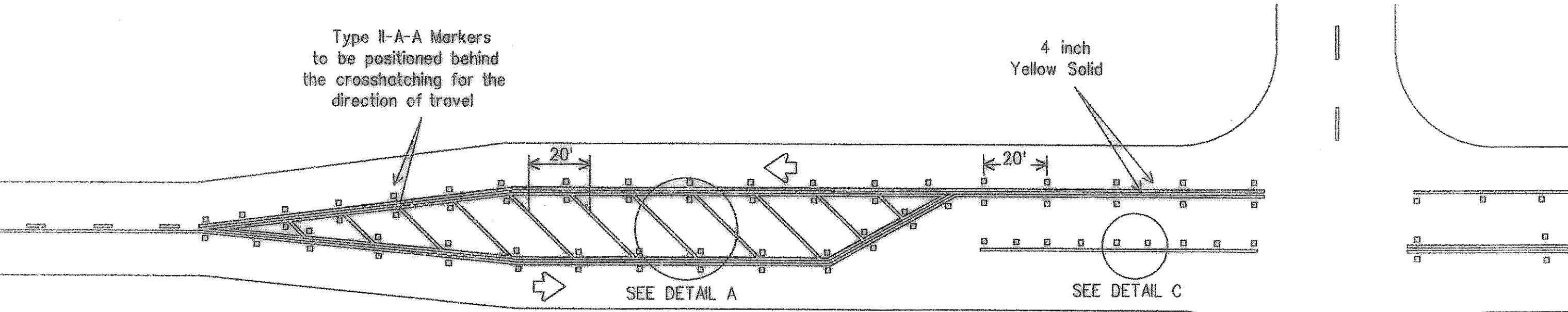
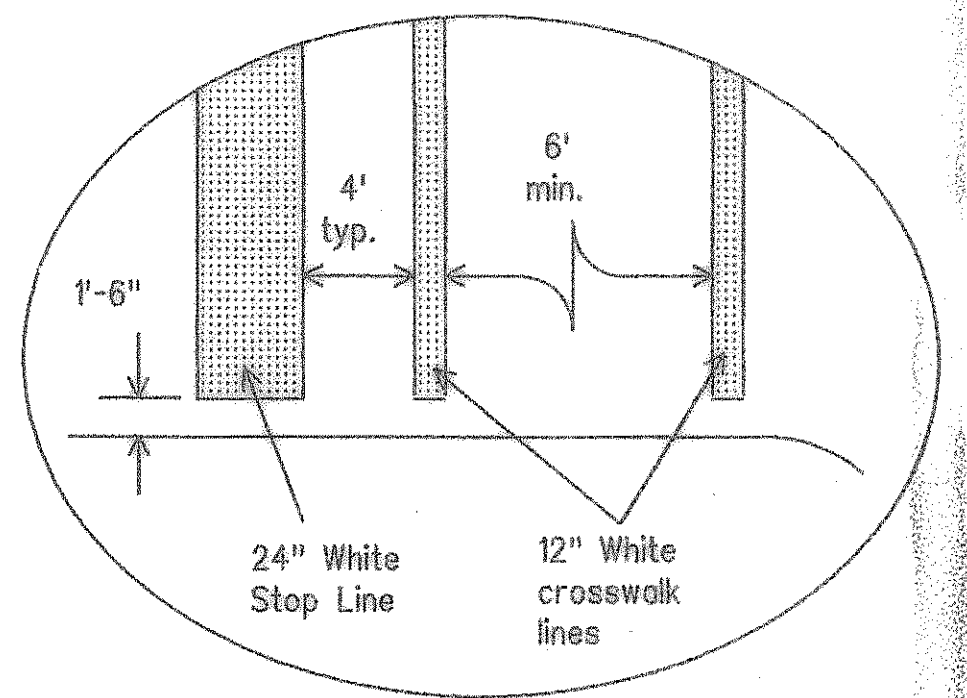
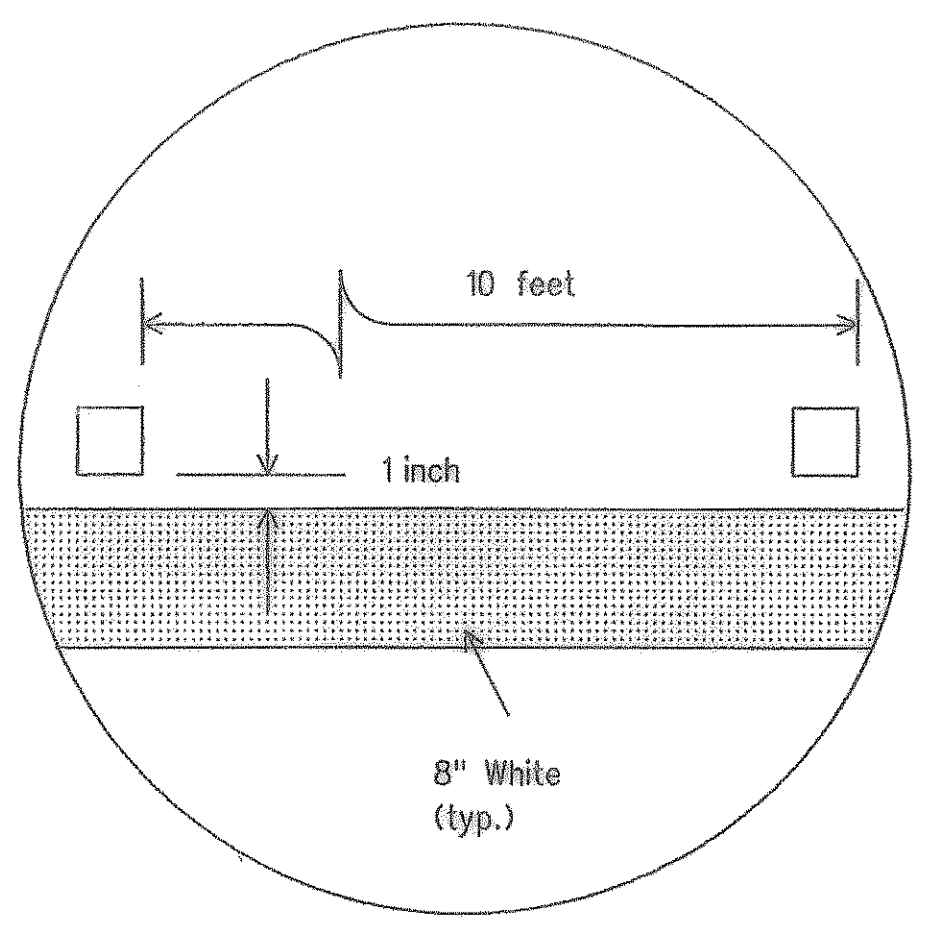
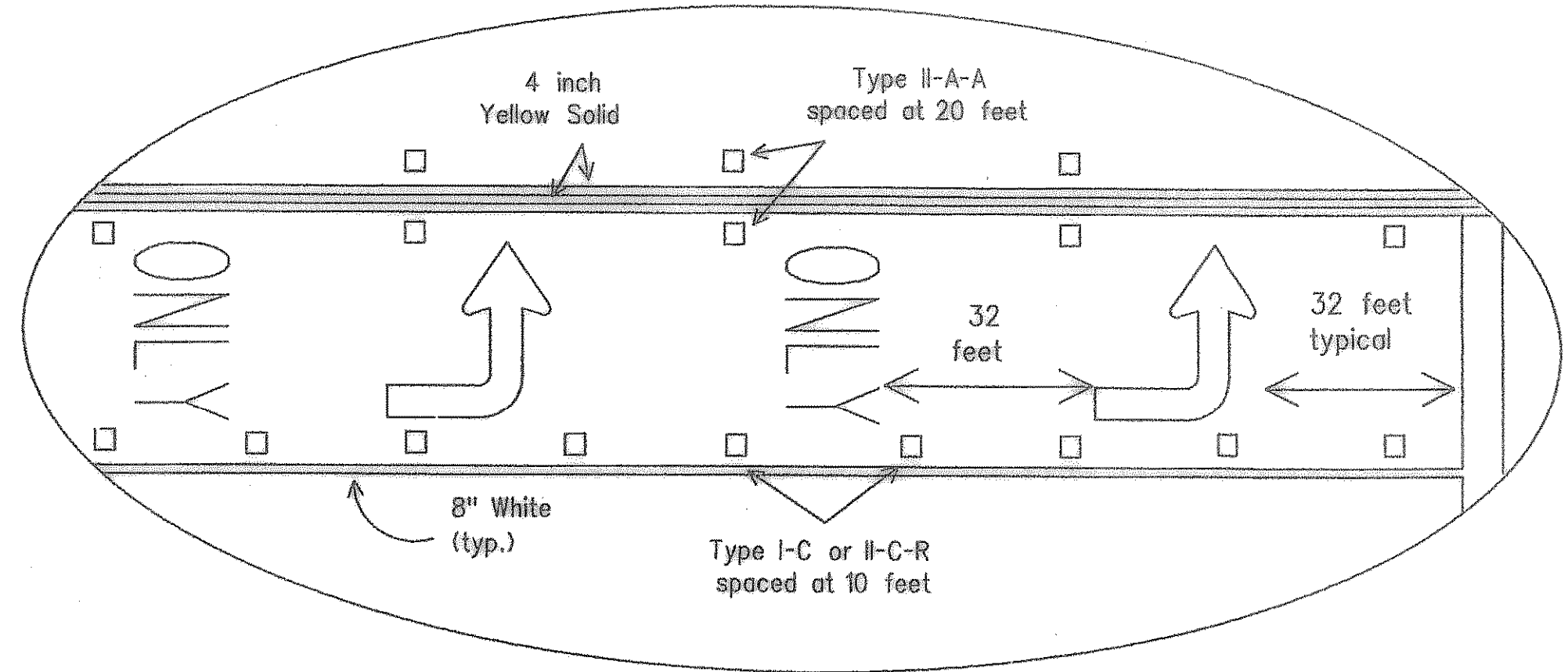
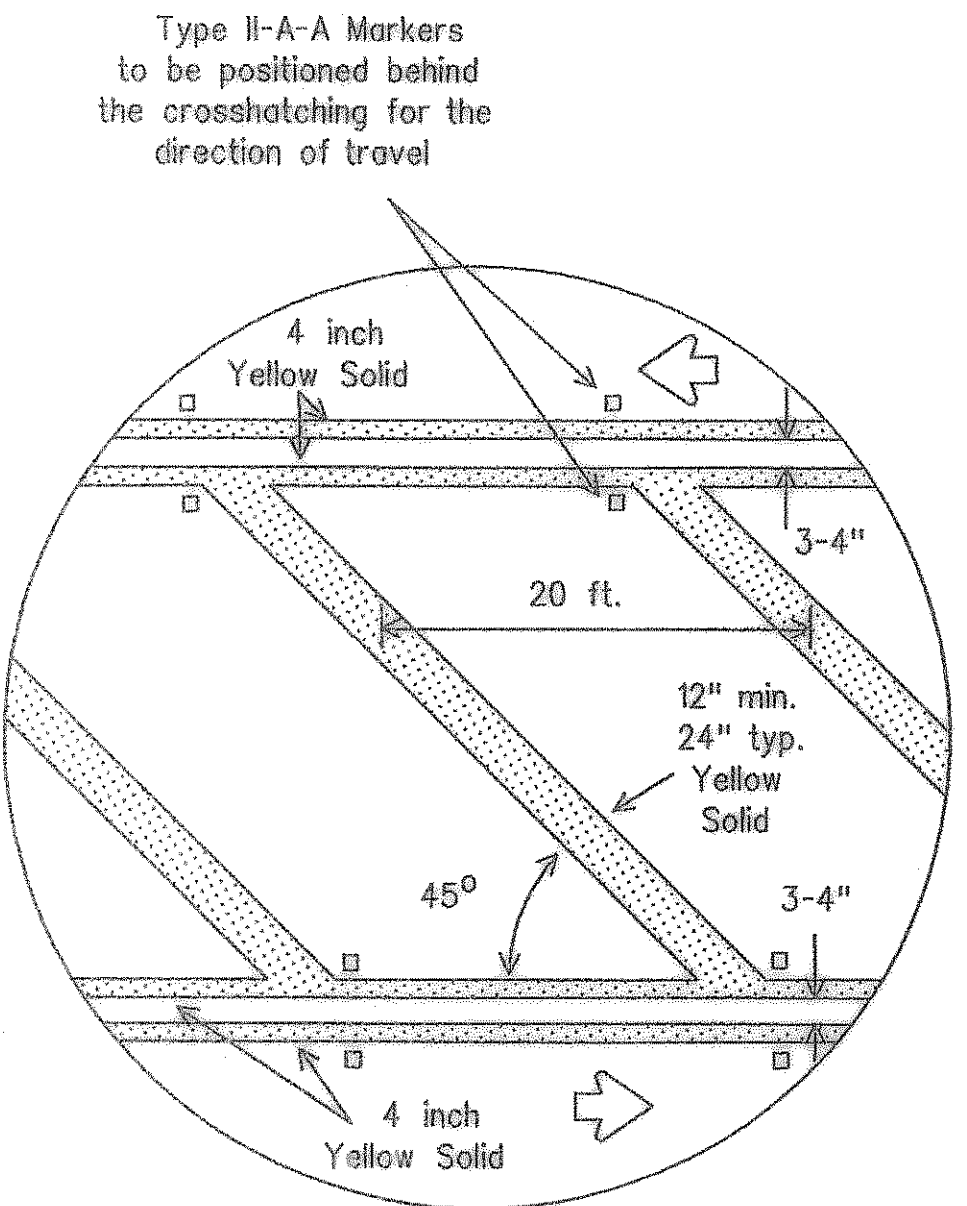
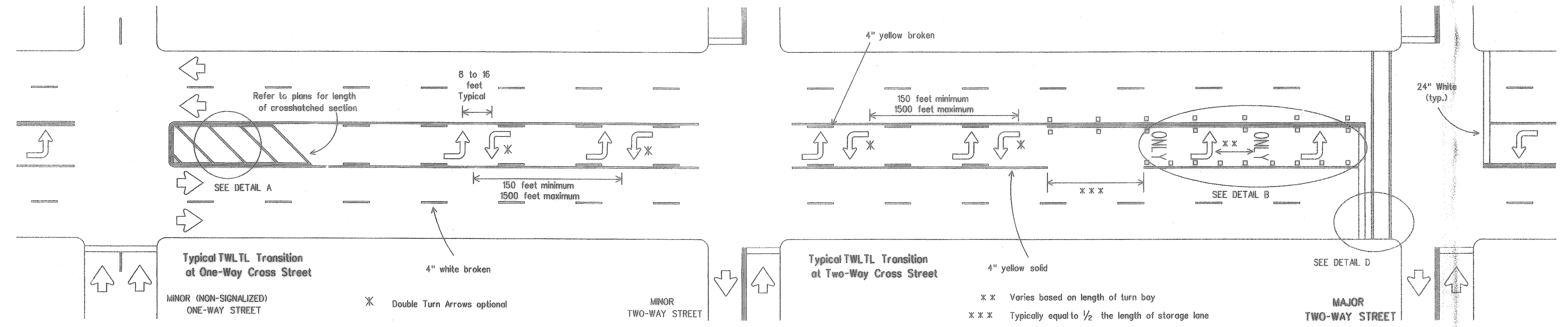


DISCLAIMER
 The use of this standard is governed by the "Texas Engineering Practice Act". No warranty of any kind is made by TxDOT for any purpose whatsoever. TxDOT assumes no responsibility for the conversion of this standard to other formats or for incorrect results or damages resulting from its use.



GENERAL NOTES

Refer elsewhere in plans for additional RPM placement and details.
 Details for words and arrows as shown on other sheets.

All pavement marking materials shall meet the required Departmental Material Specifications as specified by the plans.

For a left turn bay, two sets of words and arrows shall be used if the length of the bay is equal to or greater than 180 feet. The bottom of the first ONLY shall be placed at the beginning of the turn bay lane line as shown above.

Other crosswalk patterns as shown in the "Texas Manual on Uniform Traffic Control Devices" may be used.

SPECIFICATION REFERENCE TABLE

MATERIAL SPECIFICATIONS	DMS-4200	DMS-6100
PAVEMENT MARKERS (REFLECT.)	DMS-4200	DMS-6100
EPOXY		DMS-6100
BITUMINOUS ADHESIVE FOR PAVE. MKS.	DMS-6130	

STANDARD PLANS
 Texas Department of Transportation
 Traffic Operations Division

PAVEMENT MARKINGS FOR TWO-WAY LEFT TURN LANES DIVIDED HIGHWAYS AND RURAL LEFT TURN BAYS
 PM(4)-03

REVISIONS	STATE DISTRICT	FEDERAL PROJECT	CONTRACT	SECTION	JOB	DATE
5-00						
8-00						
3-03						

LEVELS DISPLAYED	ACC.
1	
2	
3	
4	
5	
6	
7	
8	
9	
10	
11	
12	
13	
14	
15	
16	
17	
18	
19	
20	
21	
22	
23	
24	
25	
26	
27	
28	
29	
30	
31	
32	
33	
34	
35	
36	
37	
38	
39	
40	
41	
42	
43	
44	
45	
46	
47	
48	
49	
50	