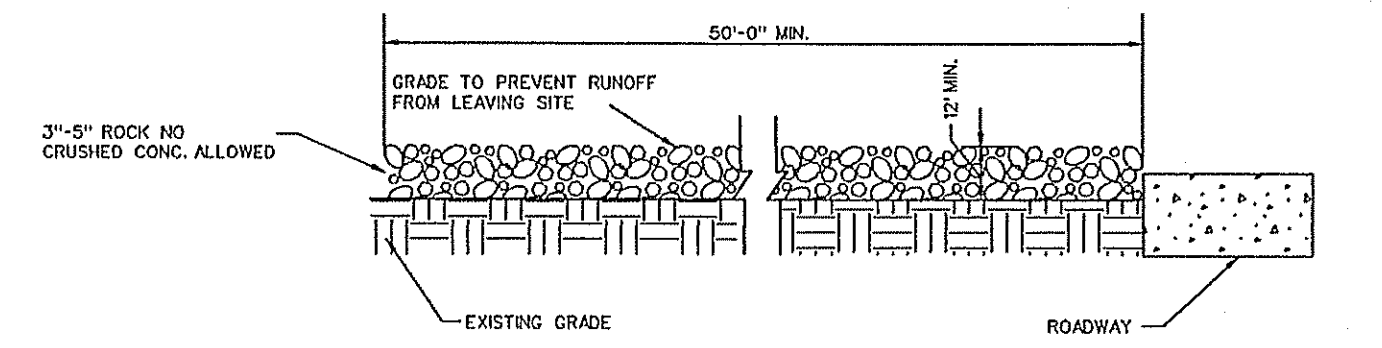
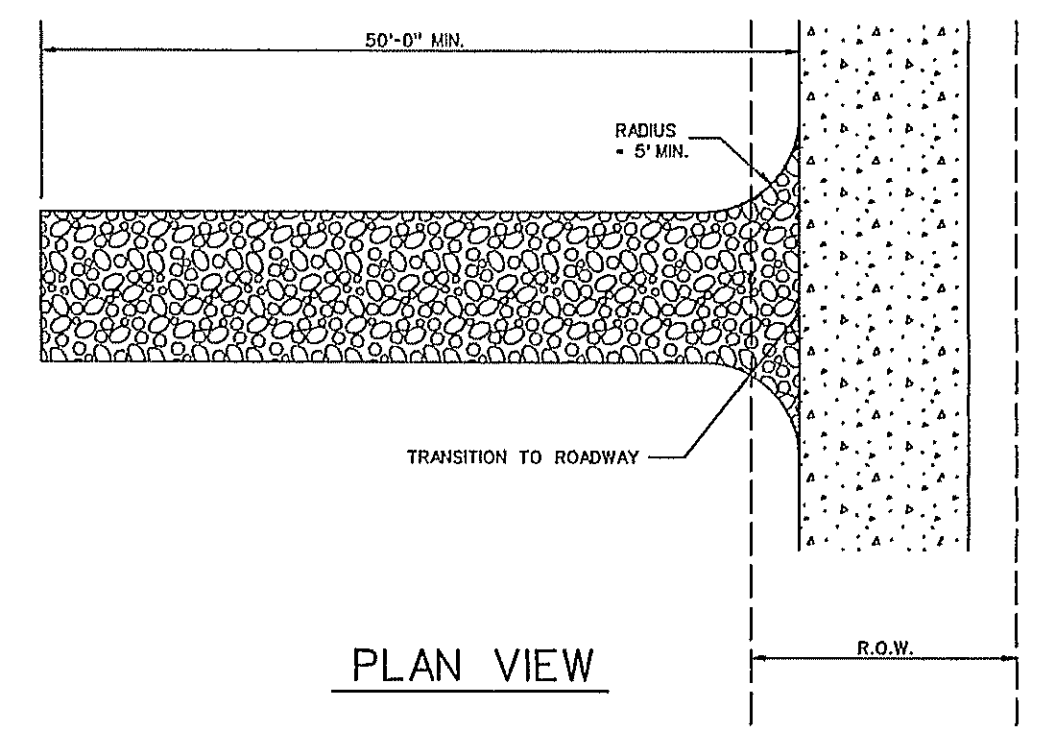


0 100 200 400
SCALE: 1" = 200'

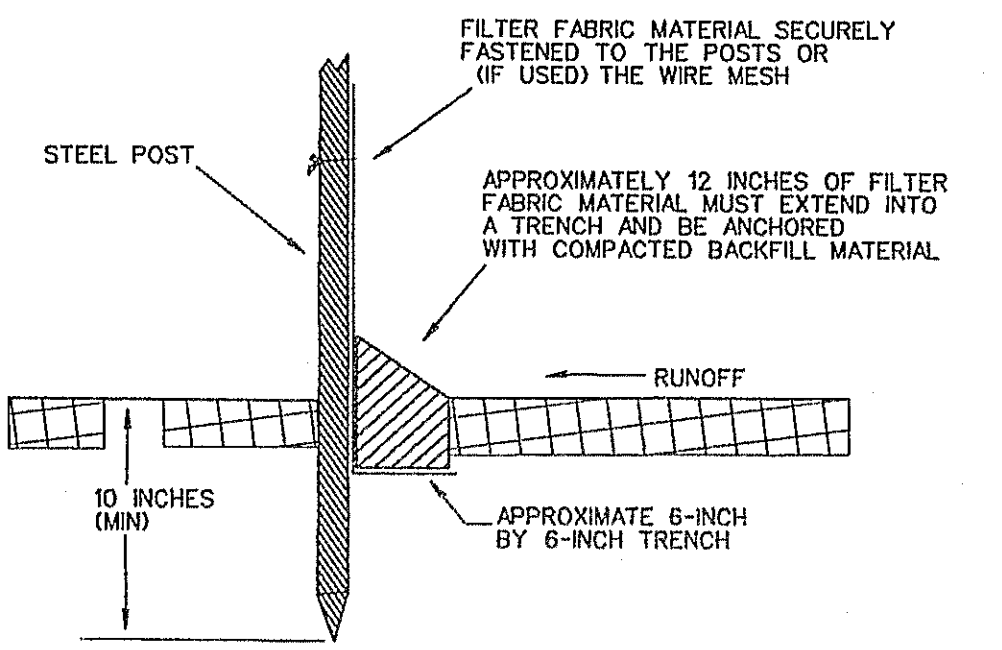
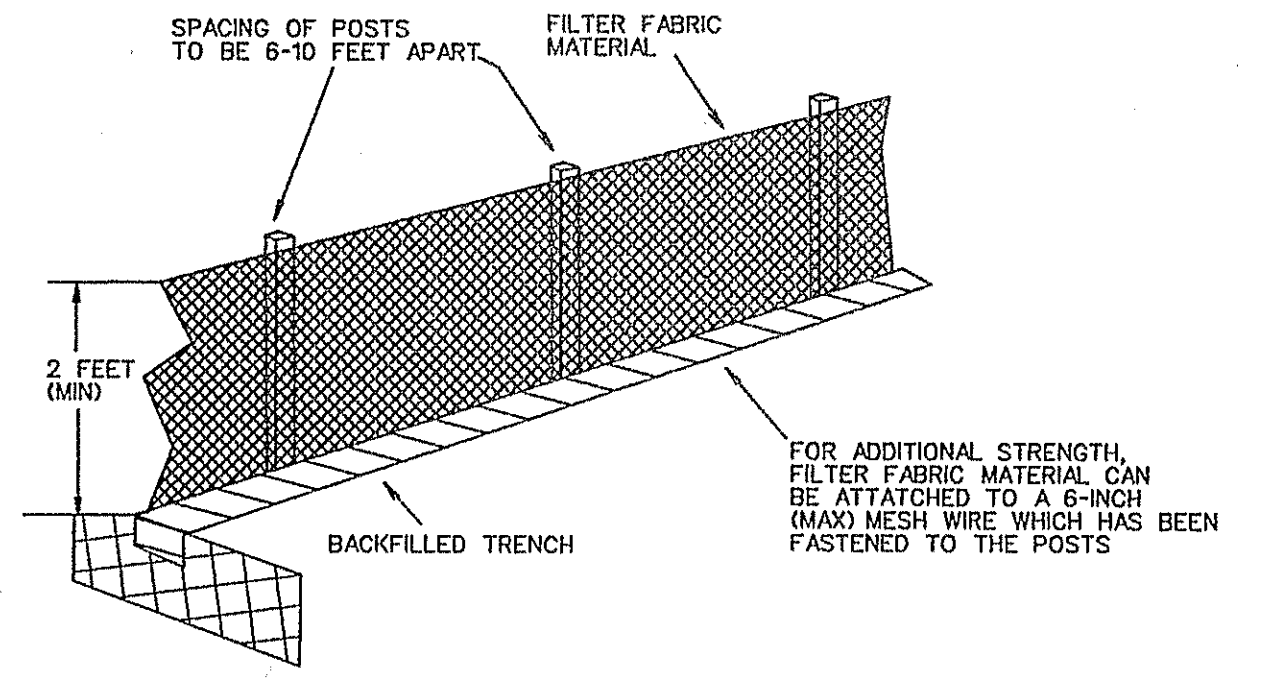


PROFILE

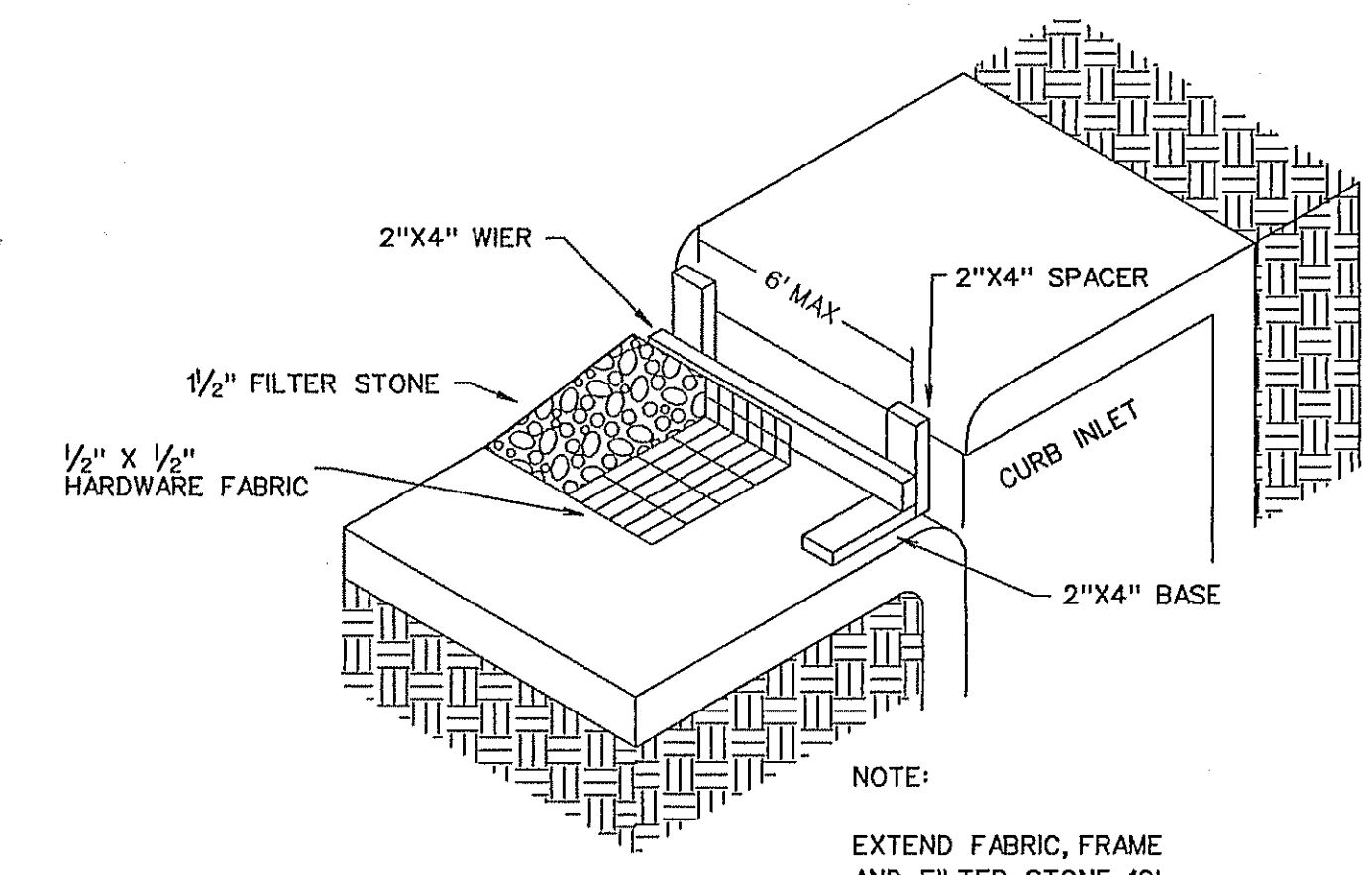


PLAN VIEW

STABILIZED ENTRANCE DETAIL

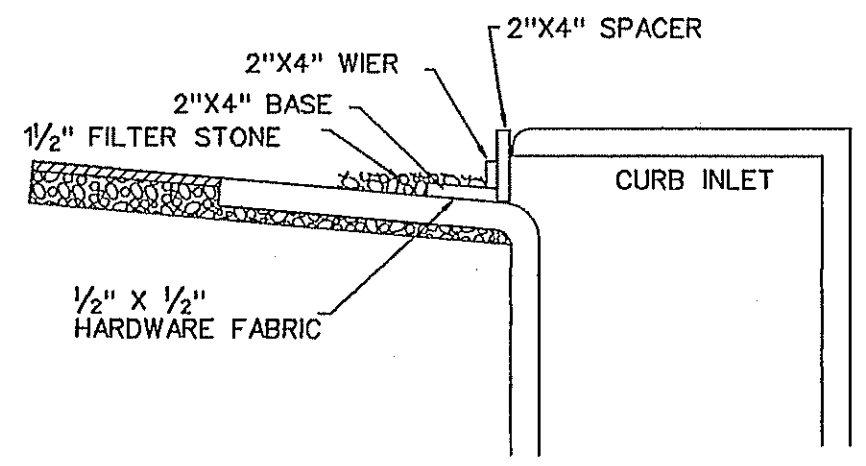


FILTER FABRIC FENCE DETAIL



TYPE B CURB INLET PROTECTION

NOTE:
EXTEND FABRIC, FRAME AND FILTER STONE 12' BEYOND END OF INLET ON BOTH ENDS.



INLET SECTION

CONSTRUCTION SEQUENCE

1. GRADING CONTRACTOR TO INSTALL TEMPORARY STABILIZED ENTRANCE.
2. INSTALL SILT FENCE AS SHOWN, (ITS-600 POLY FELT) PER C.O.G. SPECIFICATIONS.
3. PERFORM GRADING AND UTILITY CONSTRUCTION.
4. AFTER THE INLET BOTTOMS ARE CONSTRUCTED, THE INLETS SHALL BE FILLED WITH STONE AND COVERED WITH A FILTER FABRIC (ITS-600 POLY FELT OR EQUIVALENT) BY UTILITY CONTRACTOR.
5. PRIOR TO CITY RELEASING PAVING, SOD OR SEEDED CURLEX SHALL BE INSTALLED ON SIDES AND BOTTOM OF ALL DETENTION PONDS.
6. AFTER PAVING AND COMPLETION OF INLETS, INLET FILTERS SHALL BE INSTALLED IN ALL INLETS AND MAINTAINED UNTIL RE-VEGETATION HAS BEEN COMPLETED BY PAVING CONTRACTOR.
7. SILT FENCE SHALL REMAIN IN PLACE UNTIL RE-VEGETATION HAS BEEN COMPLETED.
8. PAVING CONTRACTOR SHALL REMOVE TEMPORARY STABILIZED ENTRANCE.
9. PRIOR TO CITY ACCEPTANCE THE PAVING CONTRACTOR SHALL BE RESPONSIBLE FOR REMOVING ANY MUD OR SILT WHICH COLLECTS ON THE EXISTING AND NEW PAVEMENT.

LEGEND

- SILT FENCE (BEFORE CONSTRUCTION)
- INLET PROTECTION

NO.	REVISIONS	BY	DATE
CORWIN ENGINEERING, INC. 200 W. BELMONT, SUITE E ALLEN, TEXAS 75013 (972) 396-1200			
CONSTRUCTION PLANS FOR STONE CREEK PHASE I ROCKWALL, TEXAS			
POLLUTION PREVENTION PLAN			
DRAWN BY CMF	DESIGNED BY CEI	CHECKED BY CEI	SHEET NO.
JOB NUMBER 08033	DATE JANUARY 2008	SCALE: 1"=200'	61 of 62