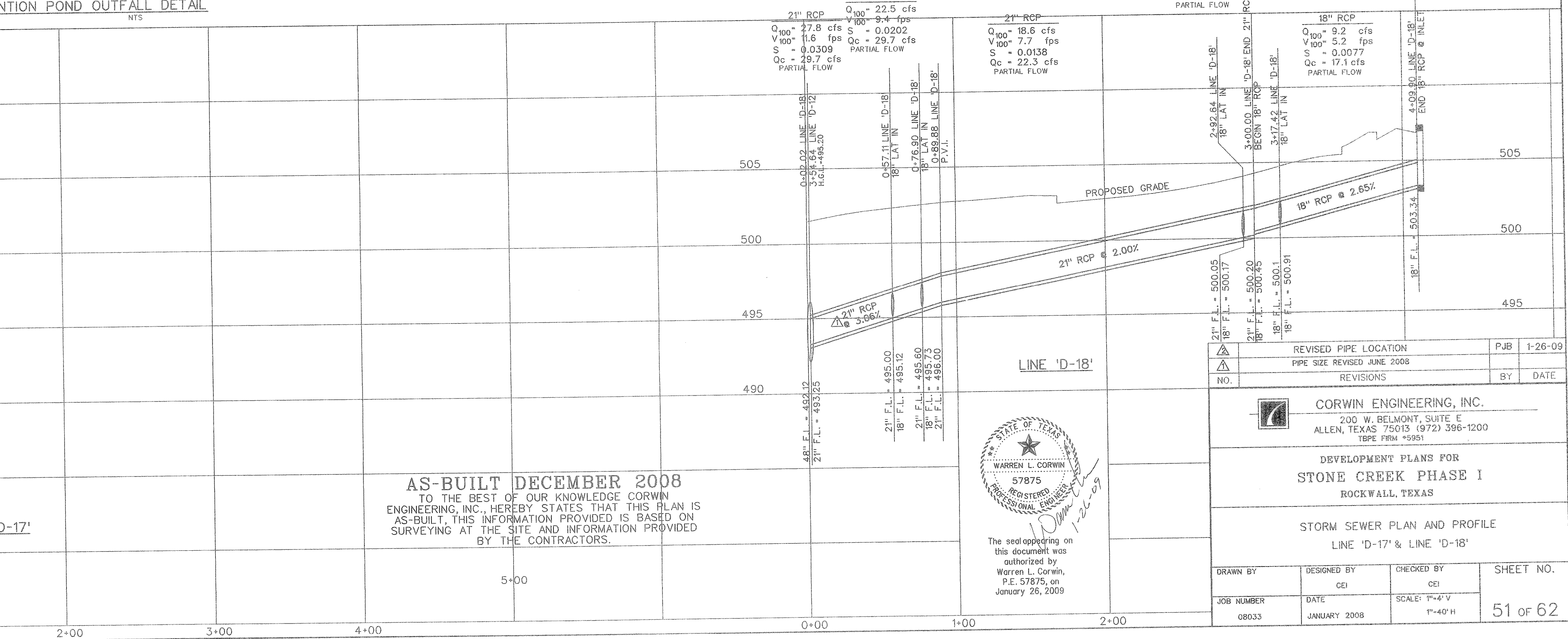
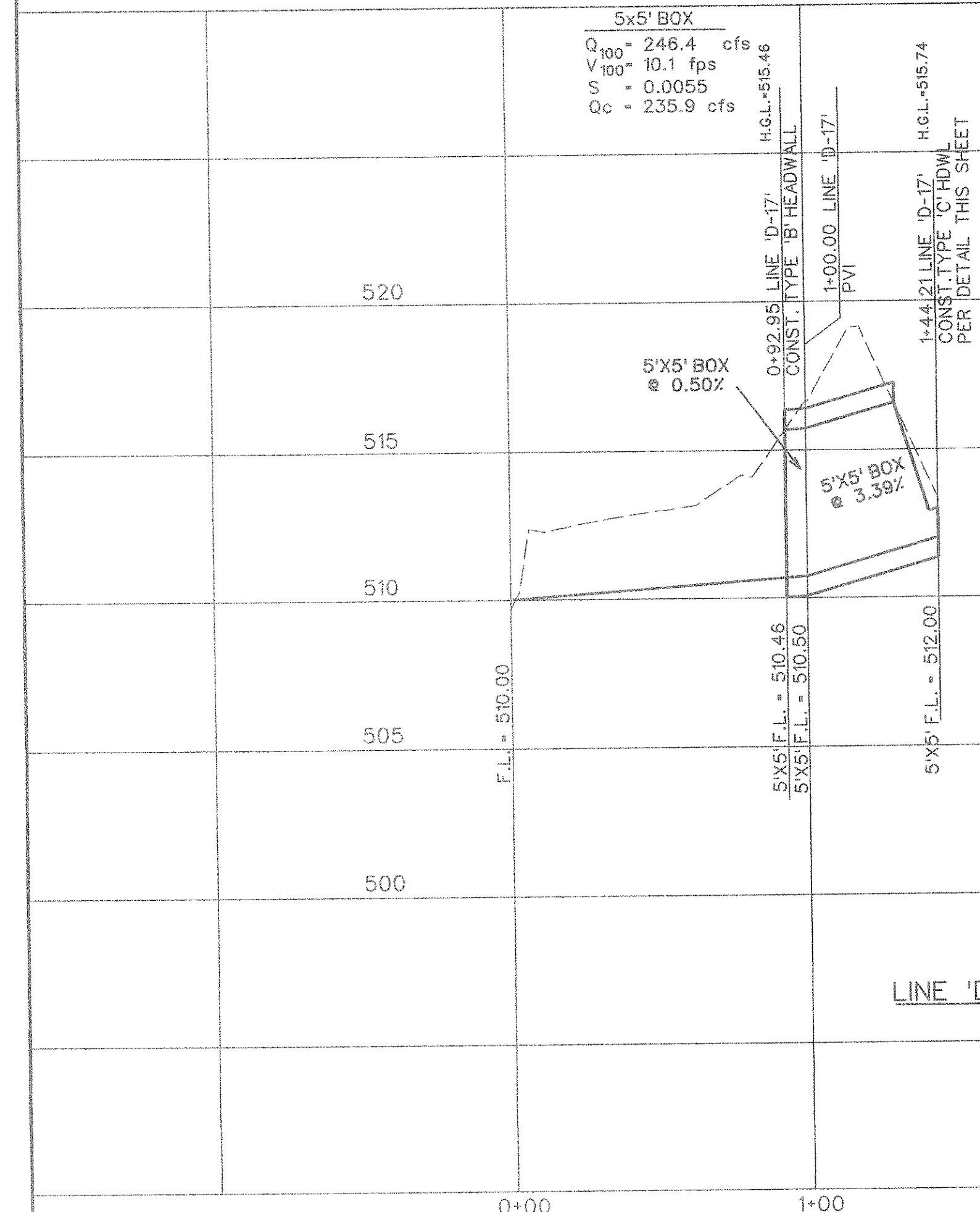
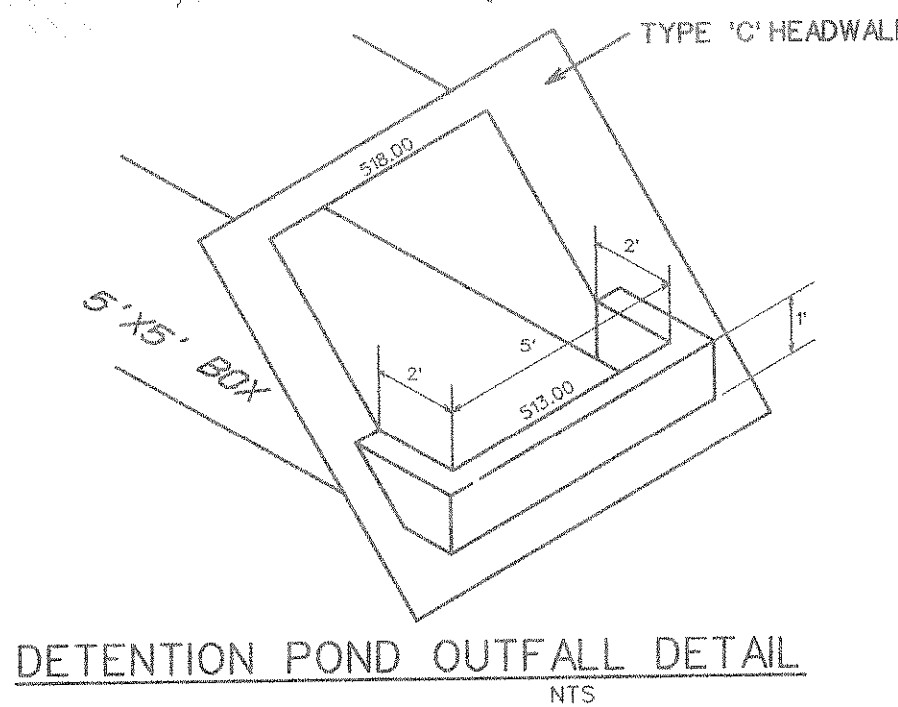
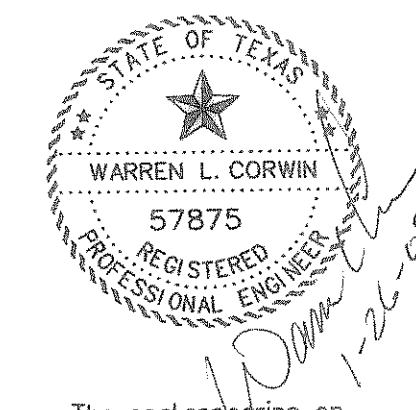


CURVE DATA		
CURVE NO.	②	③
Δ	60° 00' 00"	30° 00' 00"
R	65.00'	65.00'
T	37.53'	17.42'
L	68.07'	34.03'



**AS-BUILT DECEMBER 2008**  
 TO THE BEST OF OUR KNOWLEDGE CORWIN ENGINEERING, INC., HEREBY STATES THAT THIS PLAN IS AS-BUILT, THIS INFORMATION PROVIDED IS BASED ON SURVEYING AT THE SITE AND INFORMATION PROVIDED BY THE CONTRACTORS.



The seal appearing on this document was authorized by Warren L. Corwin, P.E. 57875, on January 26, 2009.

REVISED PIPE LOCATION		PJB	1-26-09
PIPE SIZE REVISED JUNE 2008		BY	DATE
REVISIONS			

**CORWIN ENGINEERING, INC.**  
 200 W. BELMONT, SUITE E  
 ALLEN, TEXAS 75013 (972) 396-1200  
 TBE FIRM #5951

DEVELOPMENT PLANS FOR  
**STONE CREEK PHASE I**  
 ROCKWALL, TEXAS

STORM SEWER PLAN AND PROFILE  
 LINE 'D-17' & LINE 'D-18'

DRAWN BY	DESIGNED BY	CHECKED BY	SHEET NO.
08033	CEI	CEI	51 OF 62
JOB NUMBER	DATE	SCALE: 1"=4' V	
08033	JANUARY 2008	1"=40' H	