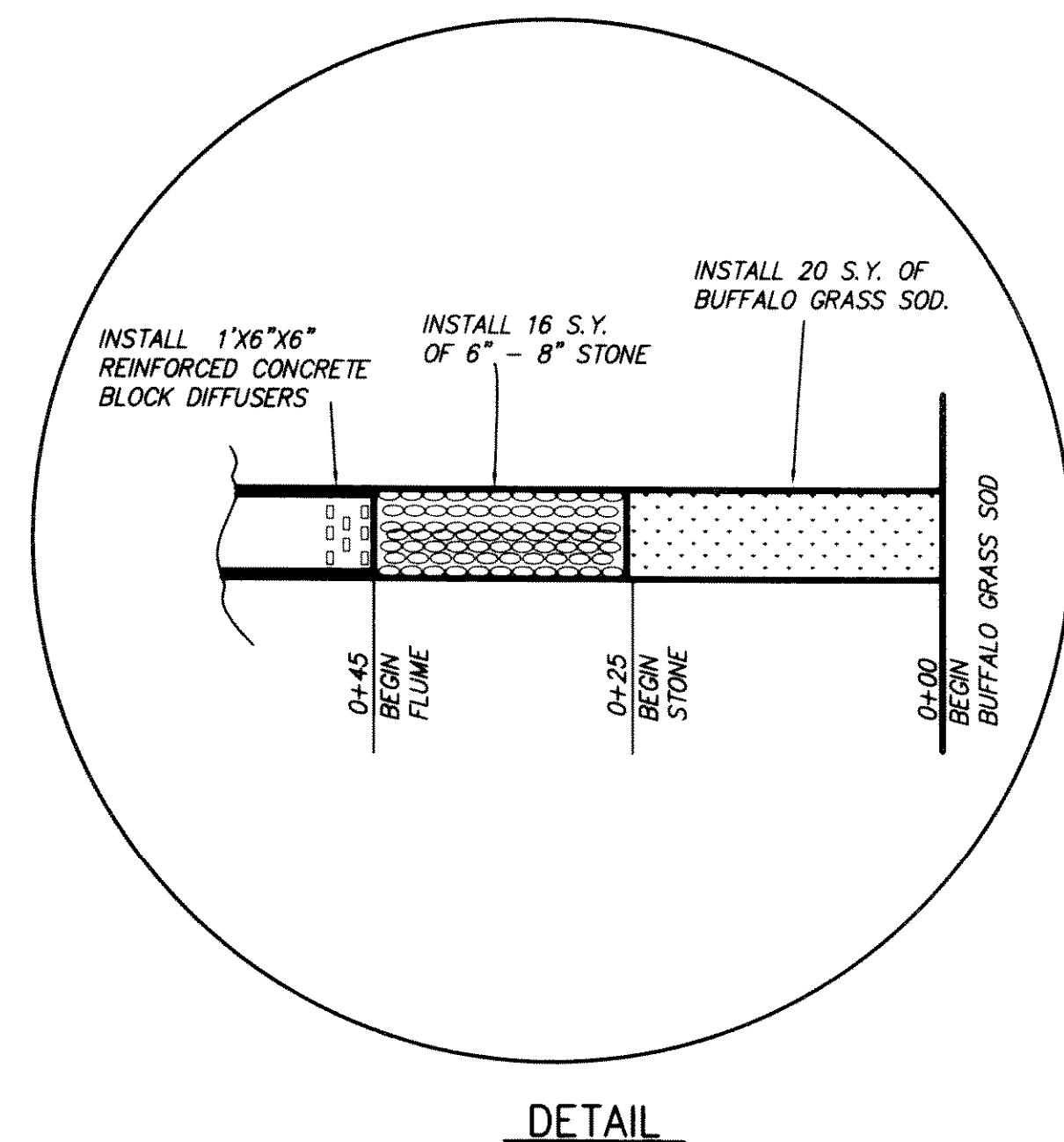
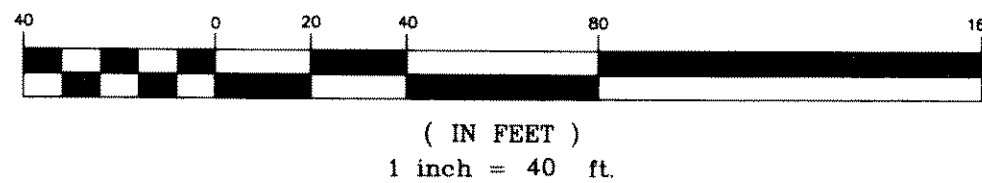
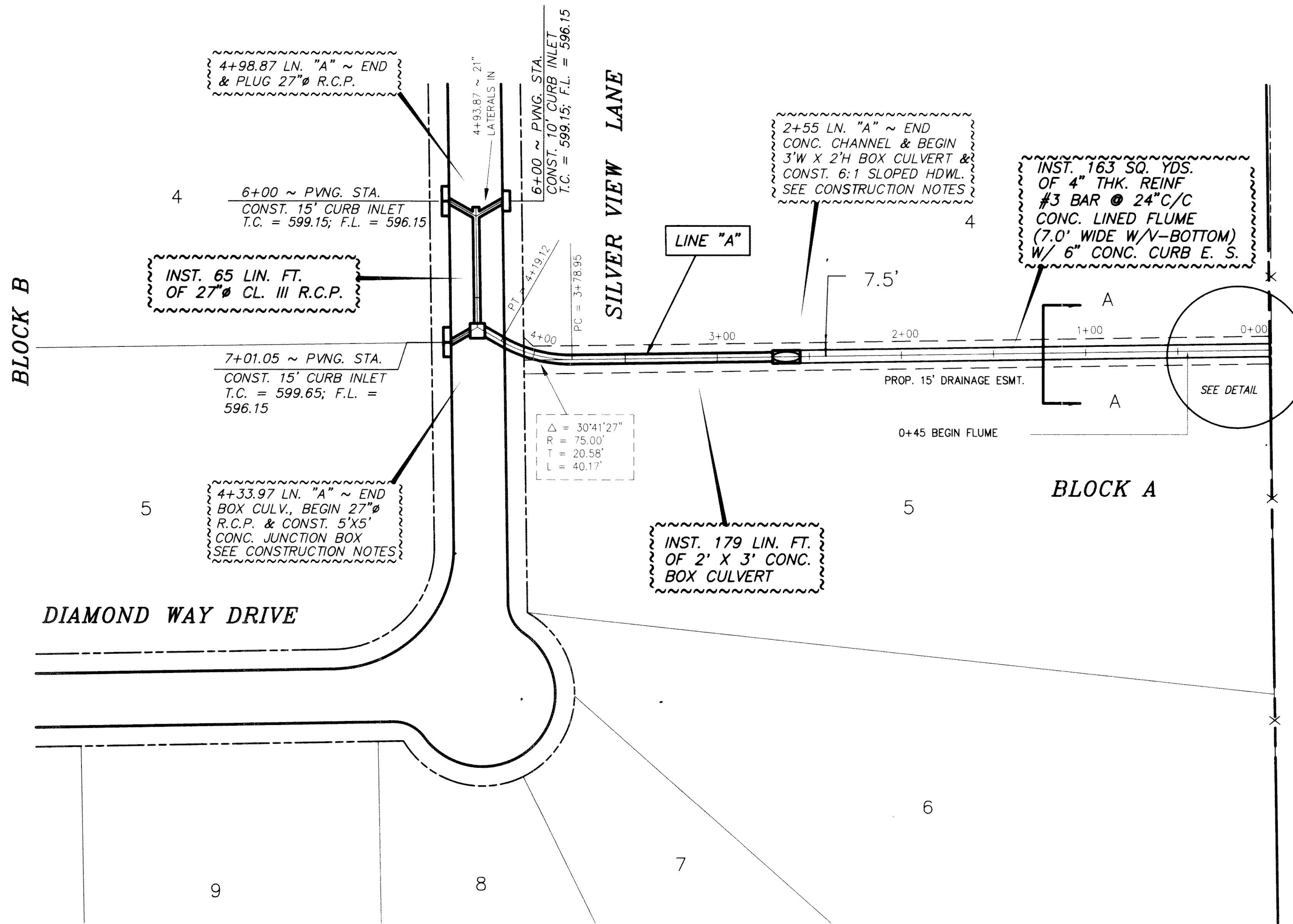


GRAPHIC SCALE



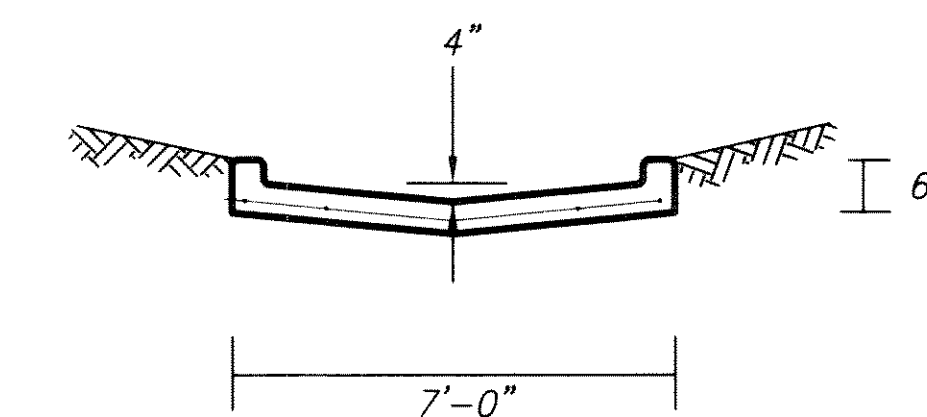
DETAIL



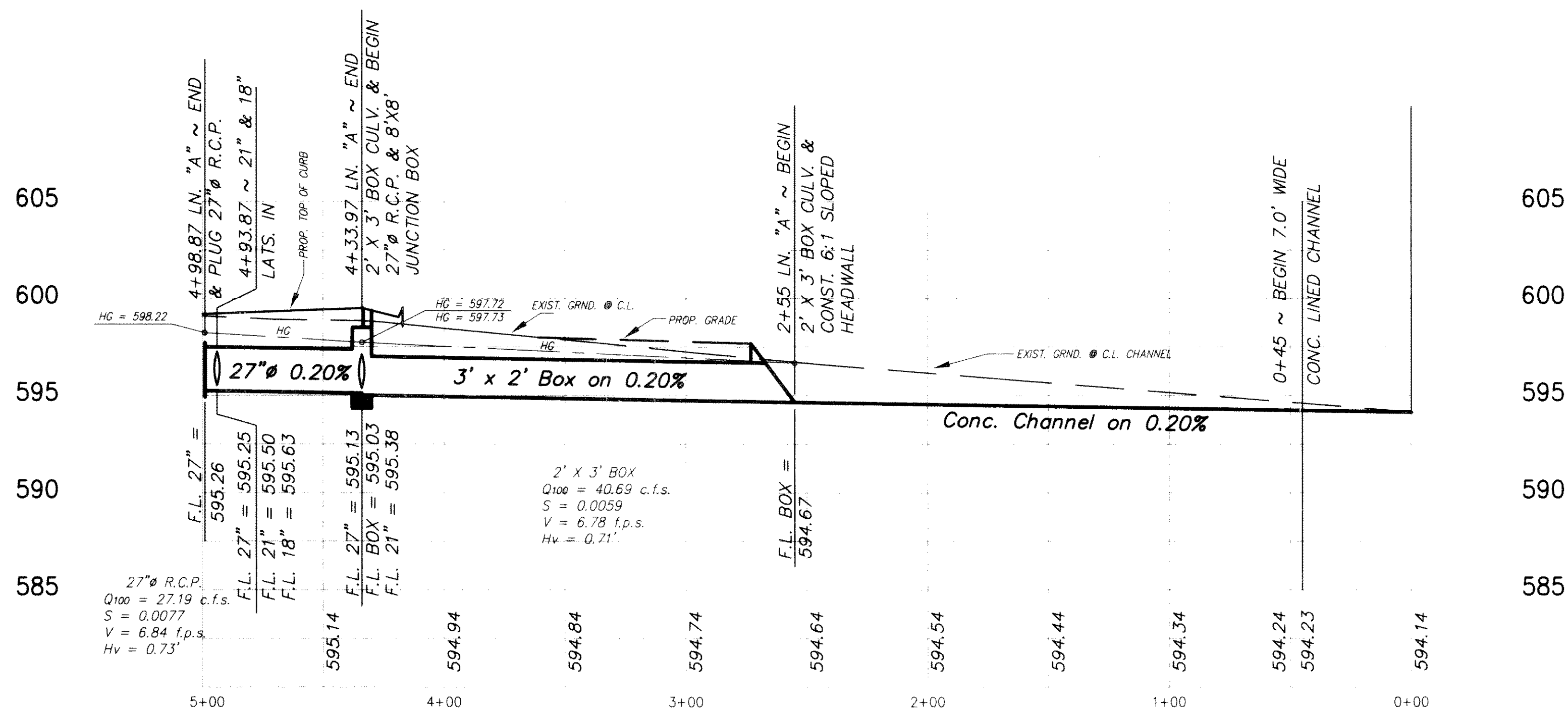
CONSTRUCTION NOTES:

- 3'WX2'H BOX CULVERT SHALL BE CONSTRUCTED OF PRECAST REINFORCED CONCRETE WITH GRADE 60 STEEL, 4000 PSI CONCRETE, AND DESIGNED FOR H-20 LOADING MANUFACTURED BY DALWORTH QUICKSET OR APPROVED EQUAL.
- 5'X5' STORM JUNCTION BOX SHALL BE PRECAST OR CAST IN PLACE USING REINFORCED CONCRETE WITH GRADE 60 STEEL, 4500 PSI CONCRETE, AND DESIGNED FOR H-20 LOADING. PRECAST MANUFACTURED BY DALWORTH QUICKSET OR APPROVED EQUAL.
- JUNCTION BOX SHALL BE CONSTRUCTED WITH CAST IRON MANHOLE RING AND COVER, BASS & HAYS PATTERN NO.400-24 OR EQUAL CONFORMING TO A.S.T.M. SPEC. A-48 FOR CLASS 30 CAST IRON.

TYPICAL CROSS SECTION OF REINFORCED CONCRETE DRAINAGE FLUME W/ 4" INVERT REINFORCED WITH No. 3 BARS @ 24" C.C., 4" THICK

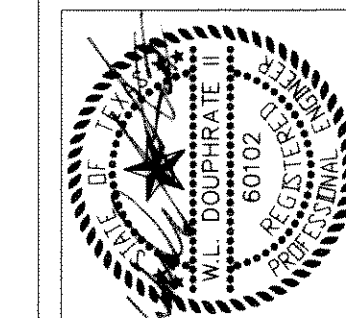


SECTION A - A
FLUME DETAIL



TOP TXDOT CONC. MARKER S. CUT BACK CORNER OF THE INTER. OF ST. HWY. No. 276 & F.M. 549
ELEV. 595.27

TOP TXDOT CONC. MARKER S. SIDE OF ST. HWY No. 276 1643' ± EAST OF THE INTER. OF ST. HWY No. 276 AND F.M. HIGHWAY No. 549
ELEV. 604.75



THE SEAL APPEARING ON THIS DOCUMENT WAS AUTHORIZED BY THE BOARD OF ENGINEERING EXAMINERS, STATE OF TEXAS, NO. 80102 ON 11/29/14

DOUPHRATE & ASSOCIATES
ENGINEERING - SURVEYING - CONSTRUCTION MANAGEMENT
P.O. BOX 1336 ROCKWALL, TEXAS 75087
PHONE: (972)771-8688

STORM DRAINAGE PLAN & PROFILE
STERLING FARMS ADDITION
ROCKWALL COUNTY, TEXAS

REVISION
WLD.
CHECKED
ACAD
DRAWN
11-5-96
DATE
960028D1
PROJECT