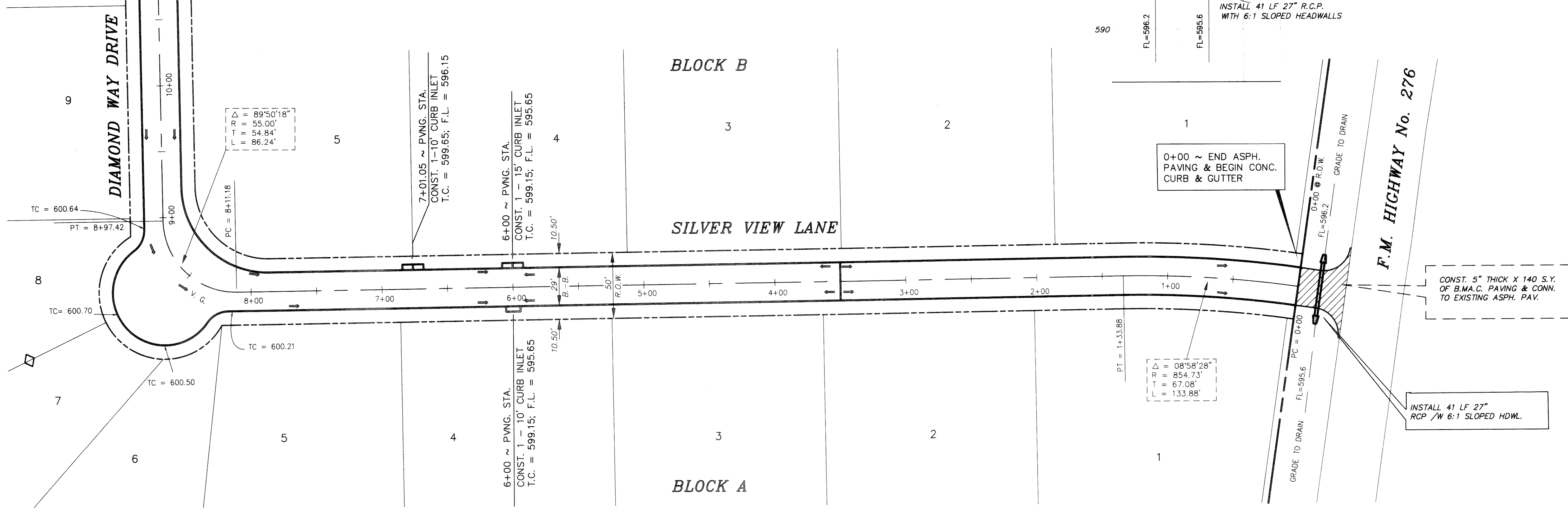
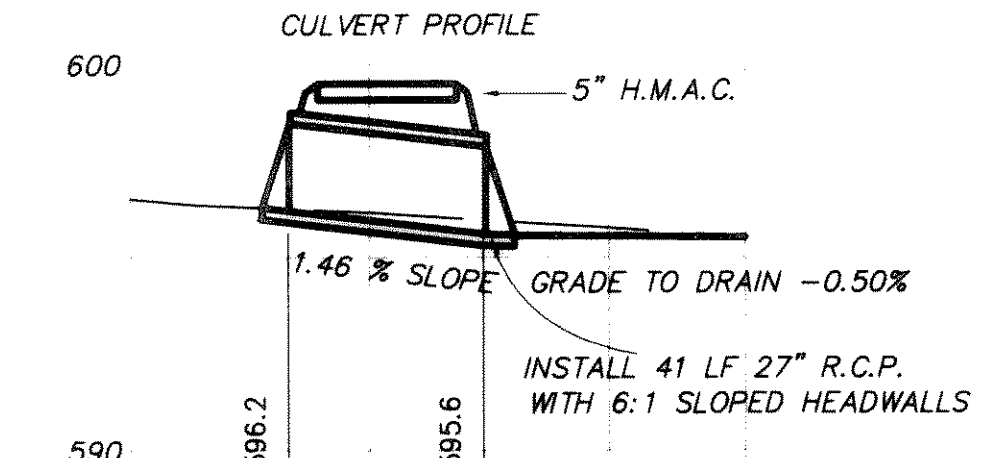
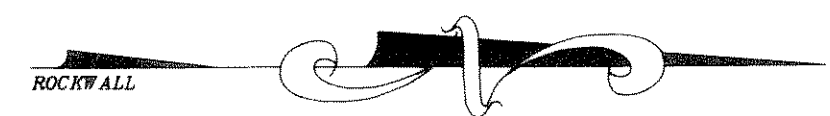
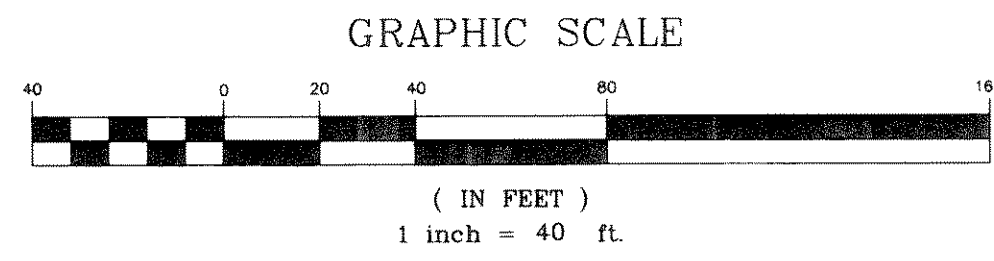
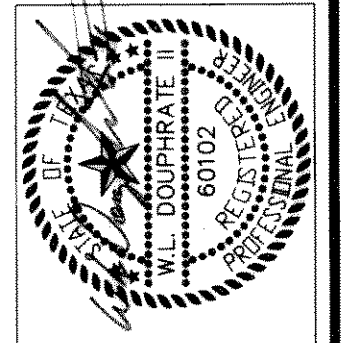


MATCH LINE STA. = 11+00



TOP TxDOT CONC. MARKER S. CUT BACK CORNER OF THE INTER. OF ST. HWY. No. 276 & F.M. 549  
ELEV. 595.27

TOP TxDOT CONC. MARKER S. SIDE OF ST. HWY. No. 276  
1643' ± EAST OF THE INTER. OF ST. HWY. No. 276  
AND F.M. HIGHWAY No. 549  
ELEV. 604.75



THE SEAL APPEARING ON THIS DRAWING IS THE PROPERTY OF W.L. DOUPHRATE II, TEXAS P.E. NO. 60102 ON 11/25/96

**DOUPHRATE & ASSOCIATES**  
ENGINEERING - SURVEYING - CONSTRUCTION MANAGEMENT  
P.O. BOX 1336 ROCKWALL, TEXAS 75087  
PHONE: (972)771-8688

**PAVING PLAN & PROFILE**  
**SILVER VIEW LANE**  
STERLING FARMS ADDITION  
ROCKWALL COUNTY, TEXAS

REVISION
WLD
CHECKED
ACAD
DRAWN
11-25-96
DATE
96002PV1
PROJECT