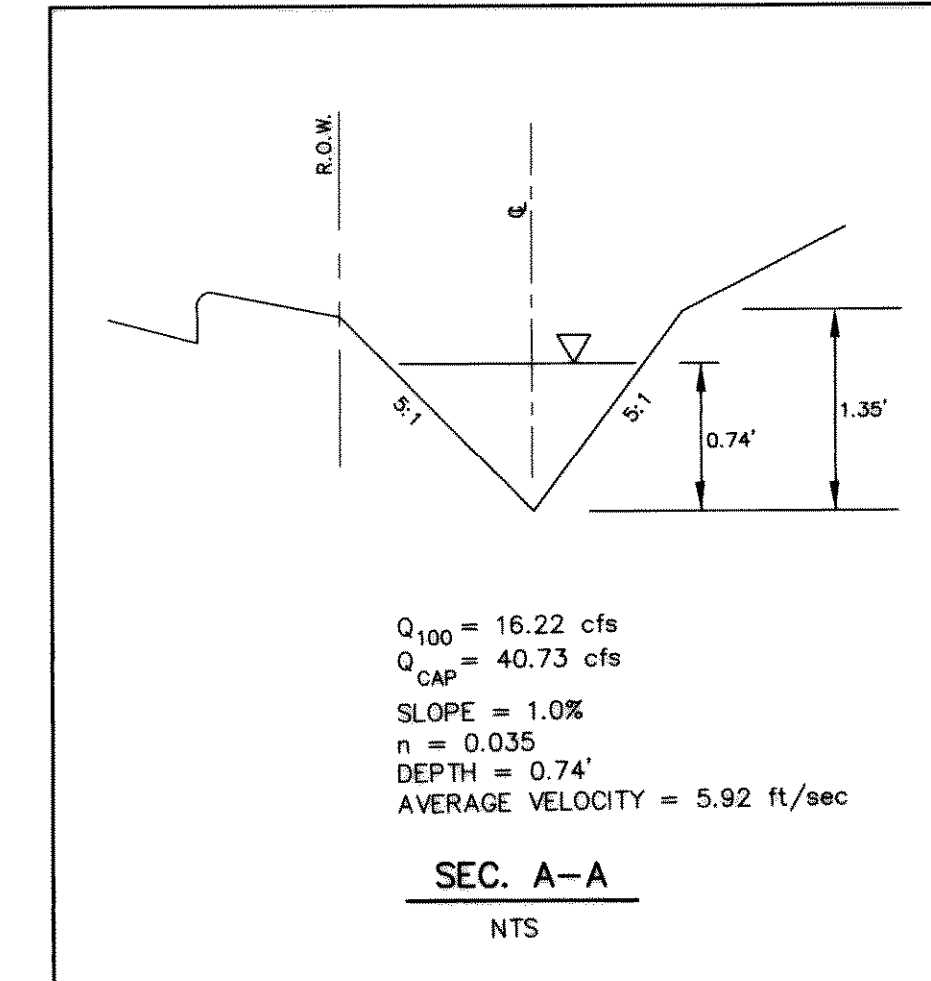
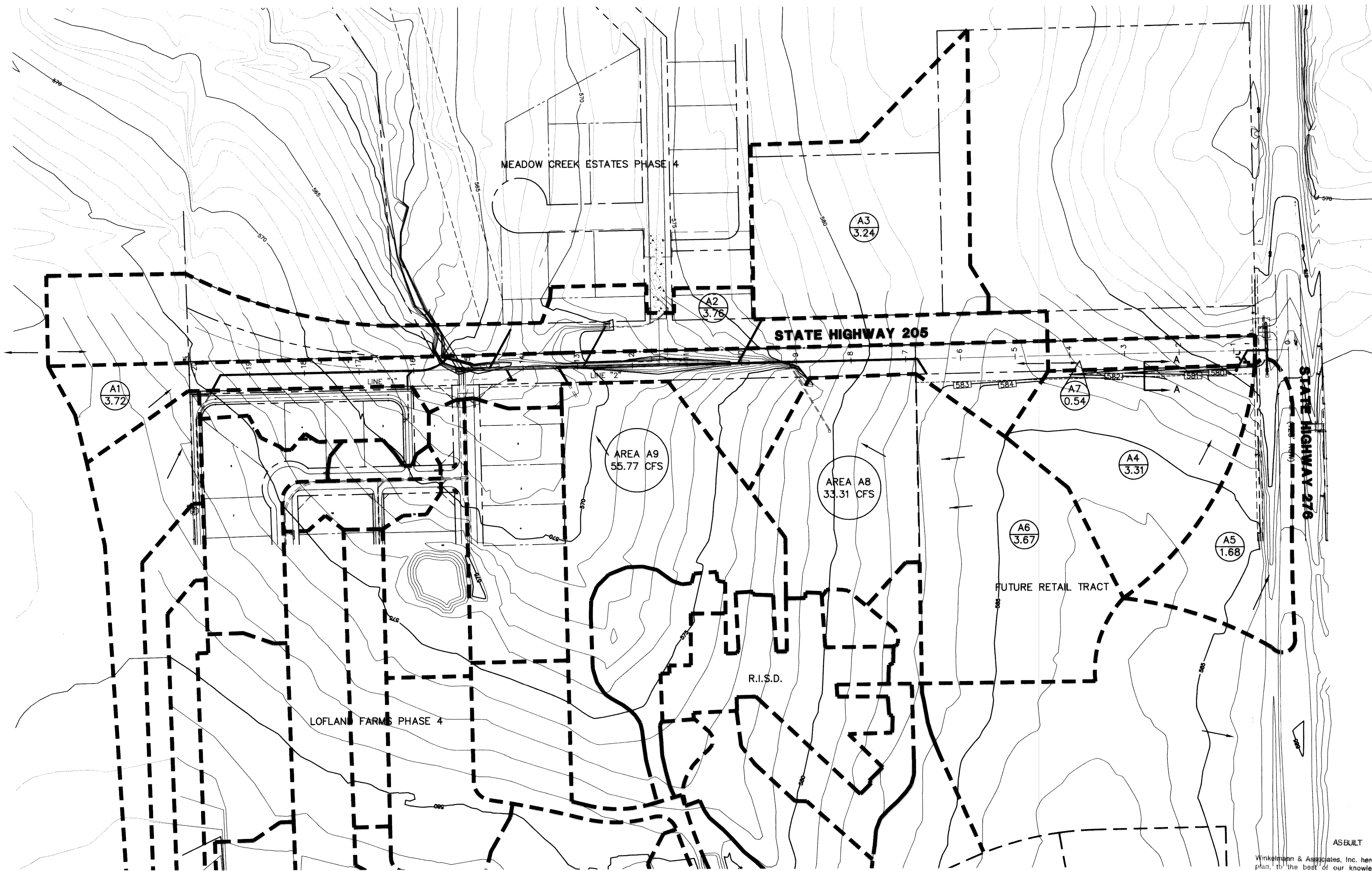
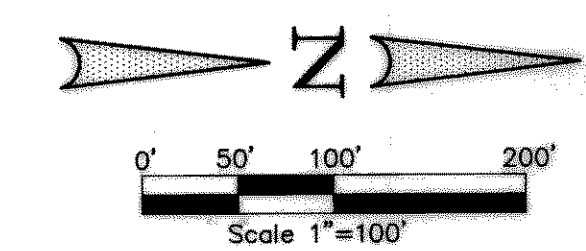


BENCHMARK: ELEV. = 600.69
 CITY OF ROCKWALL R-19
 BRASS MONUMENT AT THE N/W CORNER OF
 SILVERVIEW & DIAMOND WAY, 500' ± SOUTH OF
 S.H. 276.

BENCHMARK: ELEV. = 583.56
 R.R. SPIKE SET IN THE CENTERLINE OF S.H. 276
 3600± WEST OF F.M. 549



- LEGEND**
- AREA DESIGNATION
 - AREA IN ACRES
 - FLOW ARROWS
 - PROPOSED INLETS
 - PROPOSED STORM SEWER SYSTEM
 - DRAINAGE AREA BOUNDARY
 - EX. INLETS
 - EX. STORM SEWER
 - EXIST. CONTOURS
 - PROP. CONTOURS



ASEBULT

Winkelmann & Associates, Inc. hereby states that this plan, to the best of our knowledge is "As Built." Modifications from the originally approved construction documents have been made as per information provided by the contractor. Winkelmann & Associates, Inc. does not certify as to the correctness or quality of construction as no field inspection was performed.

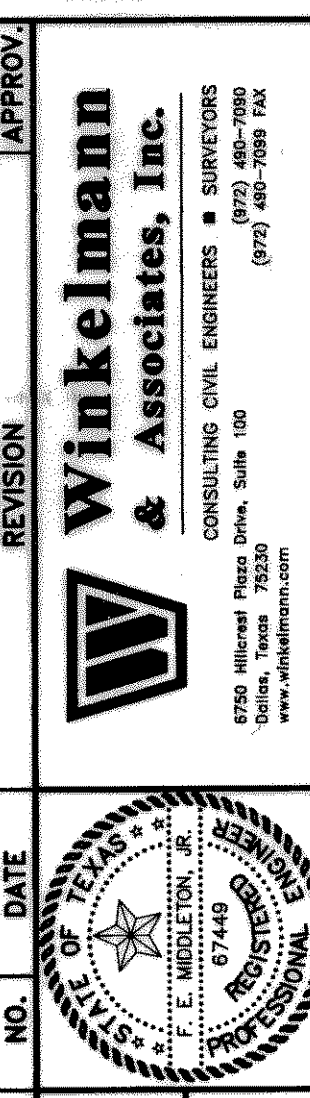
F. E. Middleton, Jr.
 WINKELMANN & ASSOCIATES, INC.
 DATE: 12-19-02

THESE CONSTRUCTION PLANS WERE PREPARED UNDER THE RESPONSIBLE SUPERVISION OF THE DESIGNER, A REGISTERED PROFESSIONAL ENGINEER NO. 74449.

F. E. Middleton, Jr. 02-19-02

THE SEAL APPEARING ON THIS DOCUMENT WAS AUTHORIZED BY F. E. MIDDLETON, JR., P. E. #67449

NO.	DATE	REVISION	APPROVAL



W.H. BAIRD SURVEY, ABSTRACT NO. 25
 CITY OF ROCKWALL
 ROCKWALL COUNTY, TEXAS
 CONTINENTAL HOMES
 621 WEST COLLEGE STREET
 GRAPEVINE TEXAS, 76051

**STATE HIGHWAY 205 BYPASS
 DRAINAGE AREA MAP**

Scale: 1"=100'	Date: 5-14-02
Designed By: RB	Drawn By: MK
Checked By: FEM	File: 52006DAM.dwg View:
Project No.: 32006.01	

SHEET
 1
 OF
 12