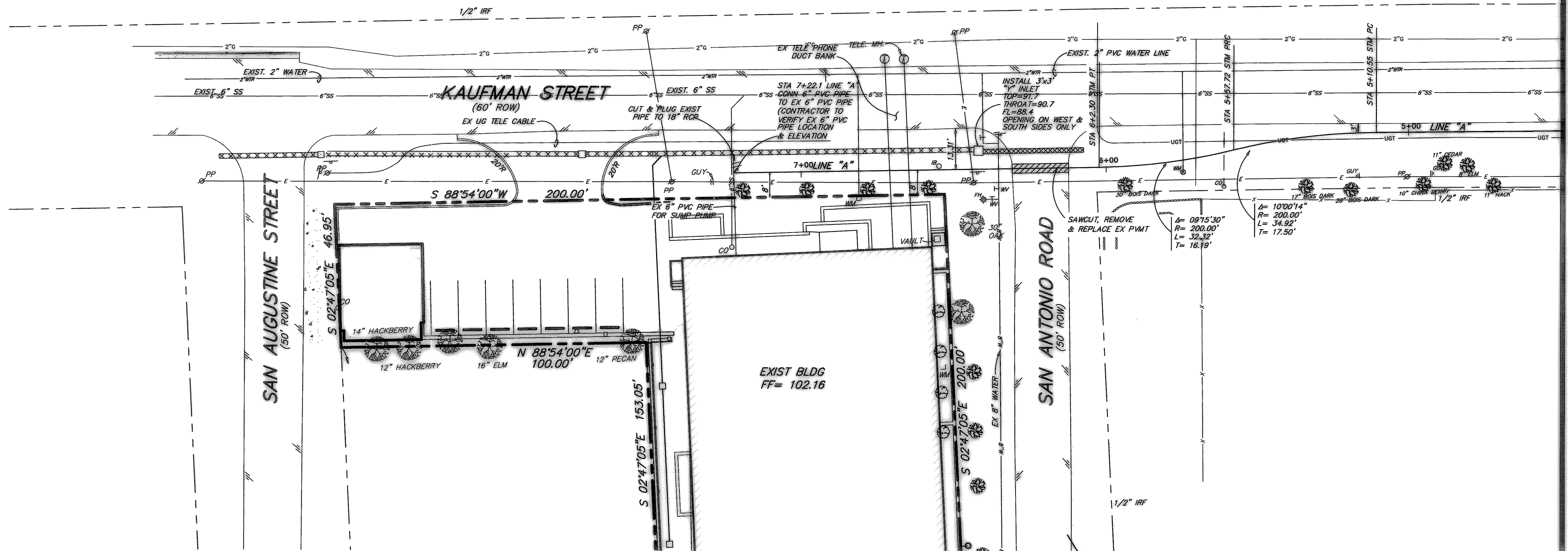
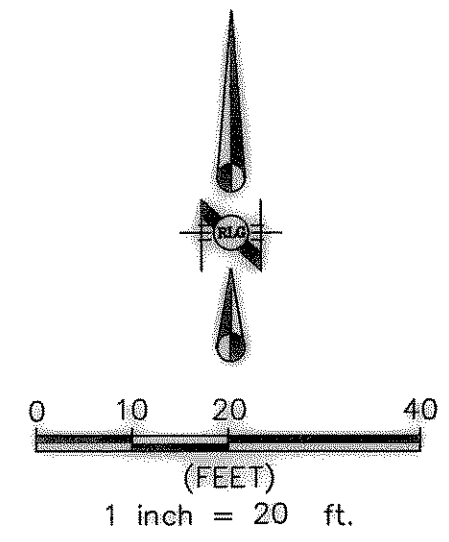
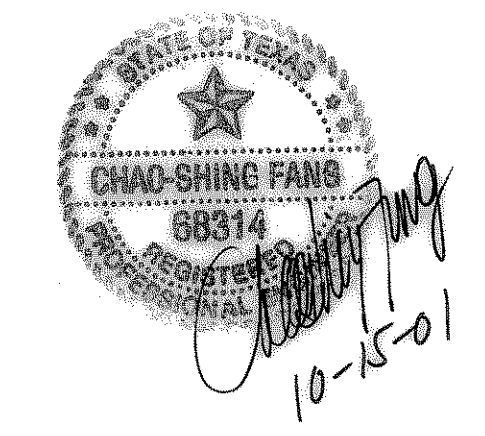
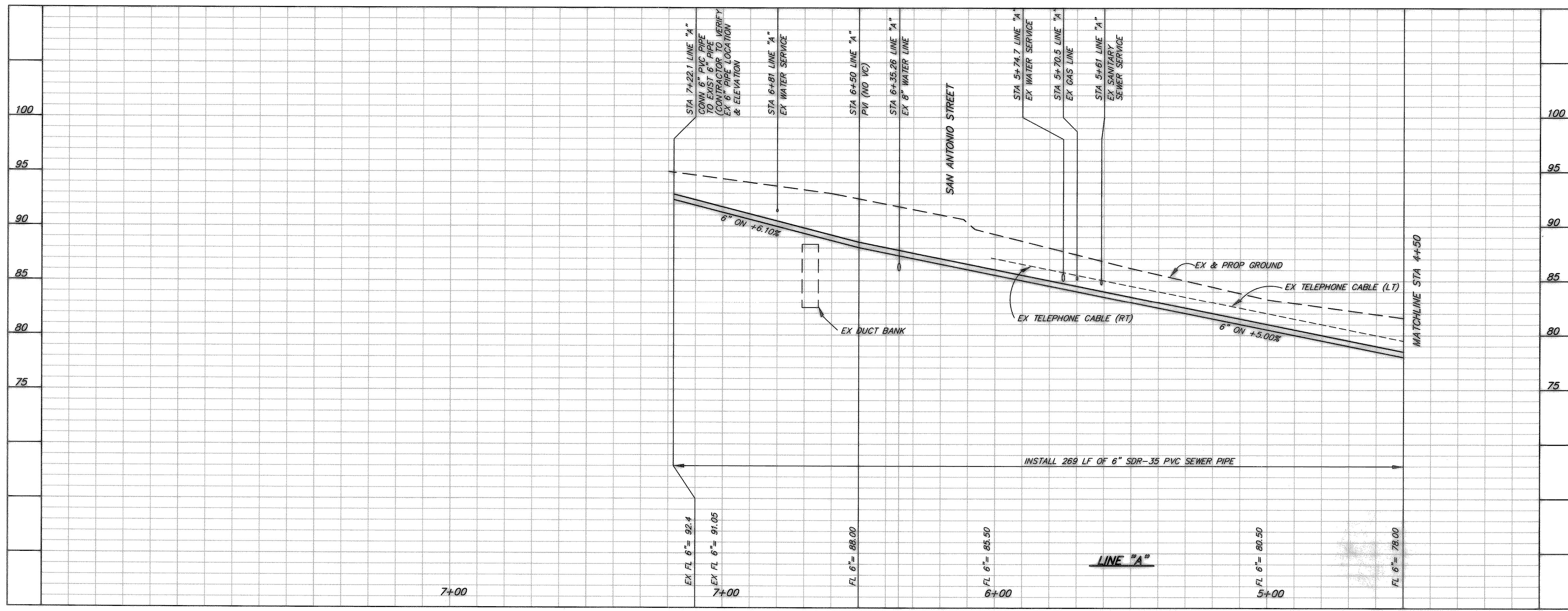


HLM/BSA ALLIANCE
2711 N. Haskell Avenue
Suite 2200
Dallas, Texas 75204
Voice 214 824-3800
Fax 214 824-0707



BENCHMARKS:

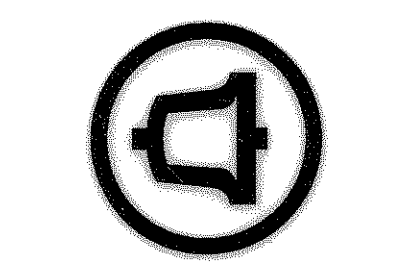
1. S.W.T. PROPERTY CORNER MONUMENT, ON SOUTHEAST CORNER, AT INTERSECTION OF NORTH R.O.W. LINE OF RUSK ST. & WEST R.O.W. LINE OF SAN ANTONIO ST. ASSUMED ELEV. 100.00
2. S.W.T. PROPERTY CORNER MONUMENT, ON SOUTHWEST CORNER, ON NORTH R.O.W. LINE OF RUSK ST. ELEV. 102.57



RECORD DRAWING
THESE RECORD DRAWINGS HAVE BEEN PREPARED, IN PART, ON THE BASIS OF INFORMATION COMPILED AND FURNISHED BY OTHERS. THE ENGINEER WILL NOT BE RESPONSIBLE FOR ANY ERRORS OR OMISSIONS WHICH HAVE BEEN INCORPORATED INTO THIS DOCUMENT AS A RESULT.
DATE 2-4-02



Rockwall '722' Wire Center
2nd Floor Addition
Rockwall, Texas
for Southwestern Bell Telephone



Drawn By RLG
Checked By RLG
Revisions

Sheet Title
STORM SEWER PLAN AND PROFILE
Project Number 01930
Date 8-30-01
Location Code T3-6966

Sheet No. **C-6**
of Sheets

P:_Civil\98419\SWBT-ROCKWALL-ASBUILTS\8419_35TMRP1.dwg, 02/12/02, 11:57:42 AM, 446d