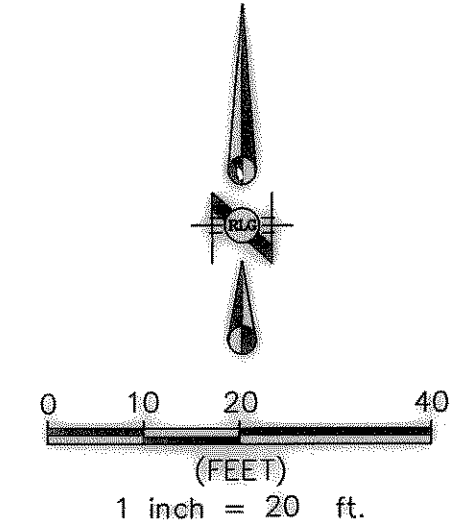
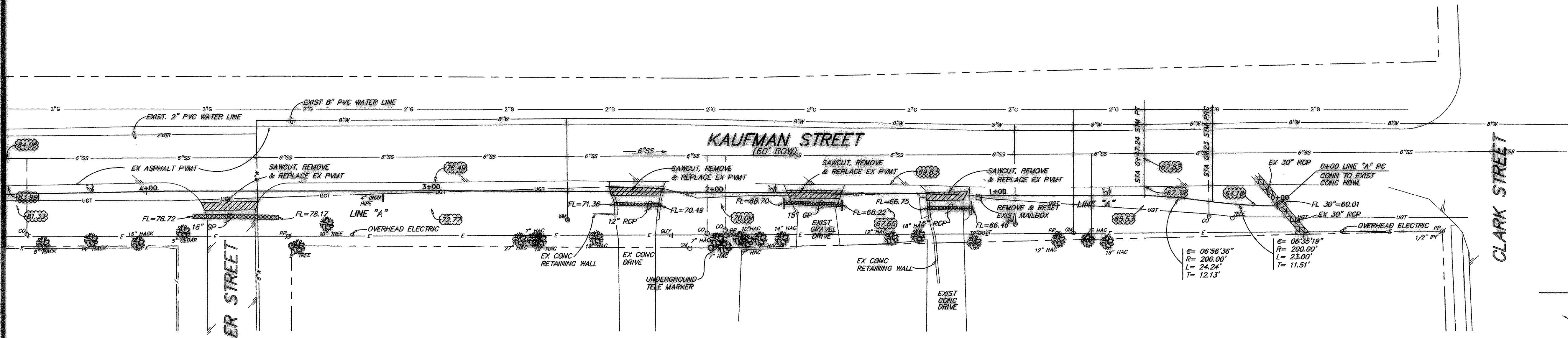


HLM/BSA ALLIANCE
 2711 N. Haskell Avenue
 Suite 2200
 Dallas, Texas 75204
 Voice 214 824-3800
 Fax 214 824-0700



MATCHLINE STA 4+50



LEGEND

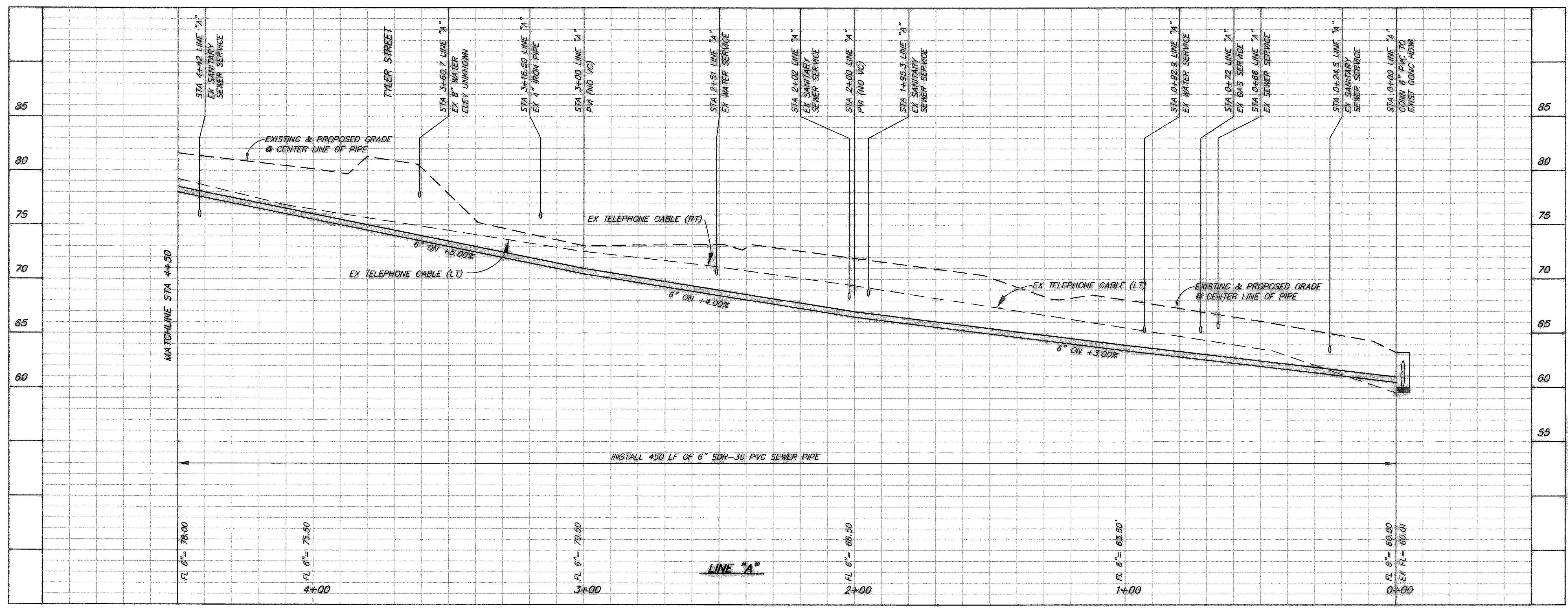
- PROPOSED STORM SEWER PIPE
- EXIST SPOT ELEVATION

GENERAL NOTES

1. All materials and workmanship shall conform to the City of Rockwall Standards and Specifications.
2. All drainage structures shall be 4200 PSI concrete at 28 days.
3. The storm sewer pipe shall be SDR-35 PVC pipe.
4. All backfill shall be compacted to 95% Standard Proctor maximum dry density (ASTM D 698) in six inch lifts.
5. Water jetting will not be allowed.
6. Contractor to verify existing utility locations and elevation prior to construction. Contractor to protect utilities during construction.

BENCHMARKS:

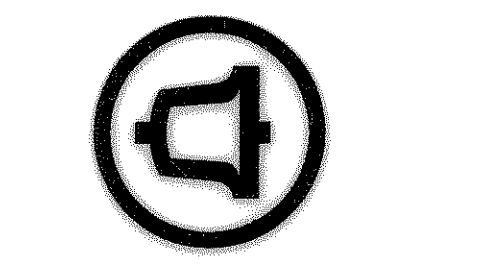
1. SWBT PROPERTY CORNER MONUMENT, ON SOUTHEAST CORNER, AT INTERSECTION OF NORTH R.O.W. LINE OF RUSK ST. & WEST R.O.W. LINE OF SAN ANTONIO ST. ASSUMED ELEV. 100.00
2. SWBT PROPERTY CORNER MONUMENT, ON SOUTHWEST CORNER, ON NORTH R.O.W. LINE OF RUSK ST. ELEV. 102.57



RECORD DRAWING
 THESE RECORD DRAWINGS HAVE BEEN PREPARED IN PART ON THE BASIS OF INFORMATION COMPILED AND FURNISHED BY OTHERS. THE ENGINEER WILL NOT BE RESPONSIBLE FOR ANY ERRORS OR OMISSIONS WHICH HAVE BEEN INCORPORATED INTO THIS DOCUMENT AS A RESULT.
 DATE 2-4-02



Rockwall '722' Wire Center
2nd Floor Addition
 Rockwall, Texas
 for Southwestern Bell Telephone



Drawn By RLG
 Checked By RLG
 Revisions

Sheet Title
STORM SEWER PLAN AND PROFILE
 Project Number 01930
 Date 8-30-01
 Location Code T3-6966



Sheet No. **C-5**
 of Sheets

P:\C:\w\198419\SWB T-ROCKWALL-ASB\UL\5\8419_35\TMPP2.dwg, 02/12/02 11:59:33 AM, 16184