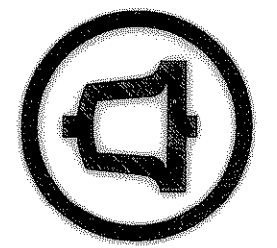




**Rockwall '722' C. O. Addition**  
 Rockwall, Texas  
 for Southwestern Bell Telephone



Drawn By RLG  
Checked By RLG

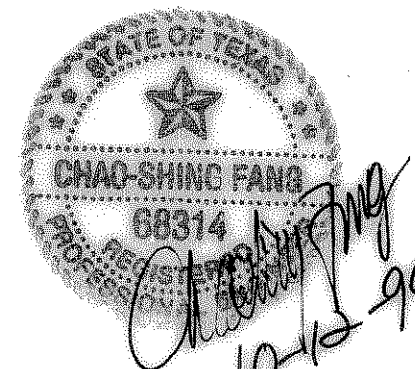
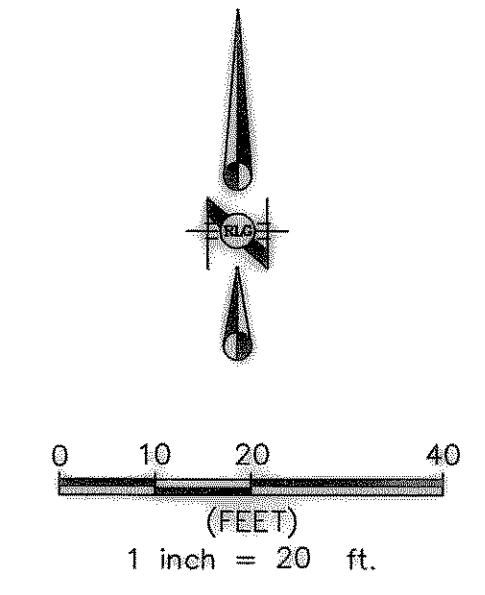
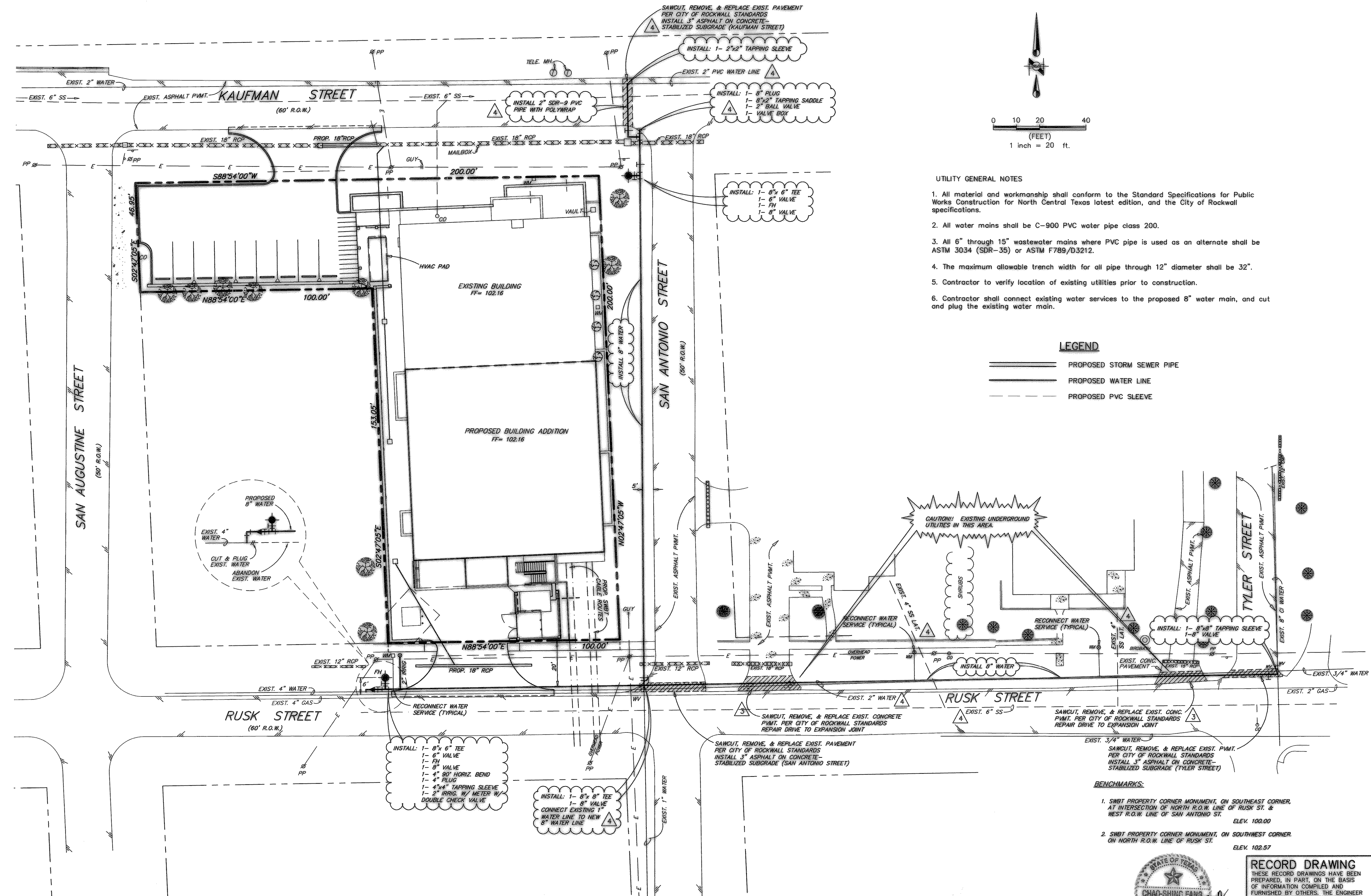
- Revisions
- 1 7-2-99
- 2 8-16-99
- 3 10-12-99

Sheet Title  
**WATER PLAN**

Project Number 01216  
Date 2-24-99  
Location Code T3-6966

Sheet No. **C-4A**  
of Sheets

**RECORD DRAWING**  
THESE RECORD DRAWINGS HAVE BEEN PREPARED, IN PART, ON THE BASIS OF INFORMATION COMPILED AND FURNISHED BY OTHERS. THE ENGINEER WILL NOT BE RESPONSIBLE FOR ANY ERRORS OR OMISSIONS WHICH HAVE BEEN INCORPORATED INTO THIS DOCUMENT AS A RESULT.  
DATE 2-4-02



P:\C:\M\98419\SWB\ROCKWALL-ASBUILTS\8419water.dwg, 02/12/02 12:59:15 PM, rhd