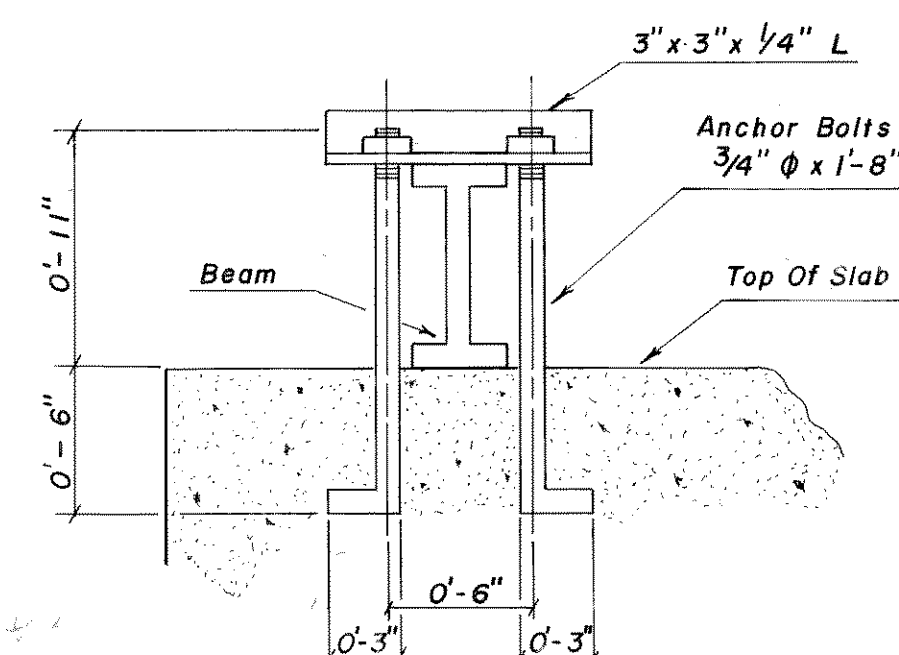
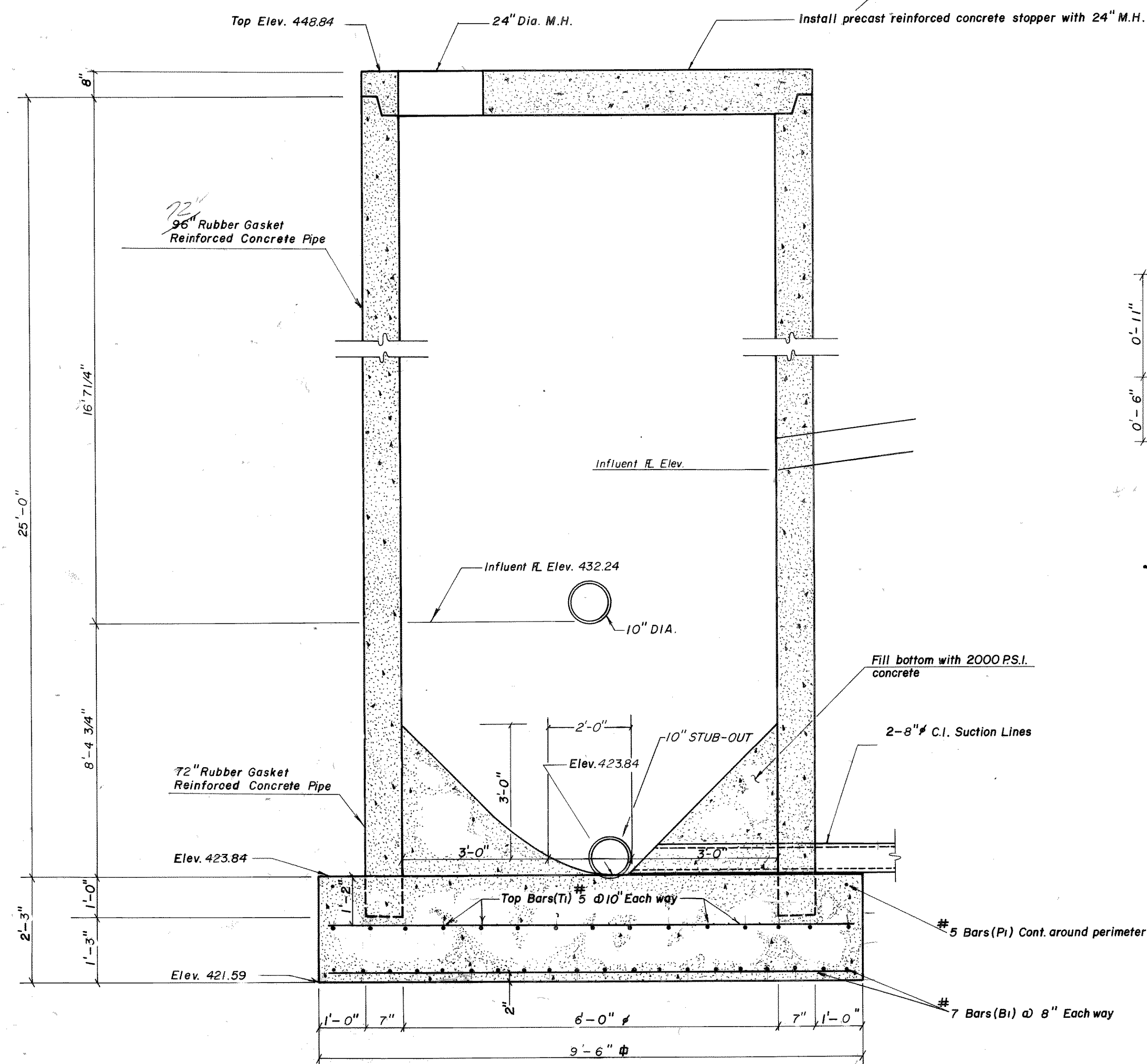


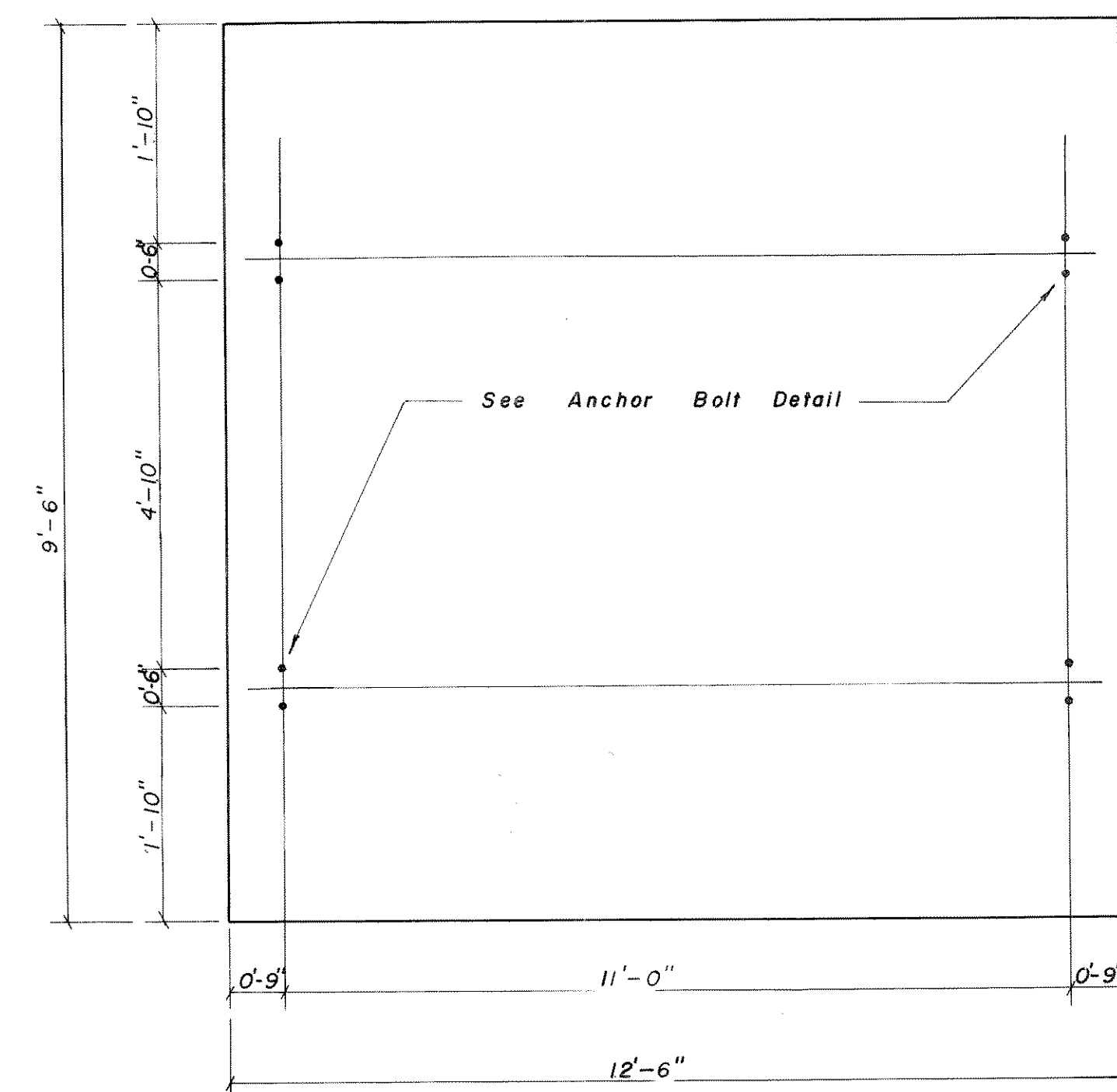
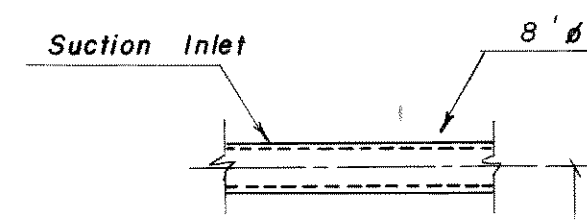
BARS PI
No Scale

GENERAL NOTES

All concrete shall have a minimum strength of 3000 p.s.i. in 28 days.
Reinforcing steel shall conform to A.S.T.M. A615-40.



ALTERNATE ANCHOR BOLT DETAIL
No Scale



LIFT STATION SLAB

WET WELL
Not to Scale

AS BUILT

8/10

WET WELL DETAILS				SIGNAL RIDGE	
PHASE I				ROCKWALL, TEXAS	
DESIGN J.C.	DRAWN R.M.H.	DATE APRIL 82	SCALE AS SHOWN	328-8135 HAROLD EVANS CONSULTING ENGINEER DALLAS	