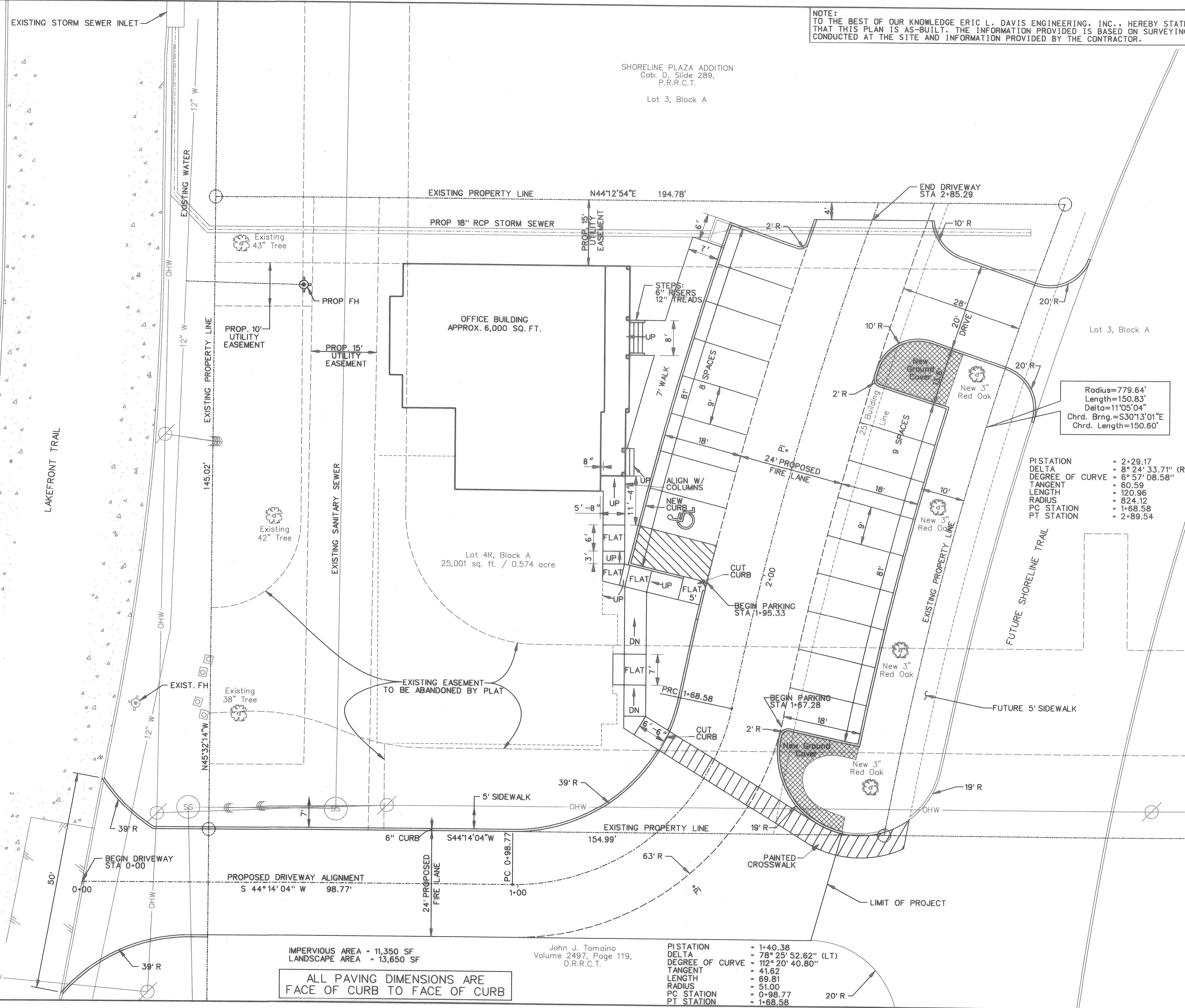
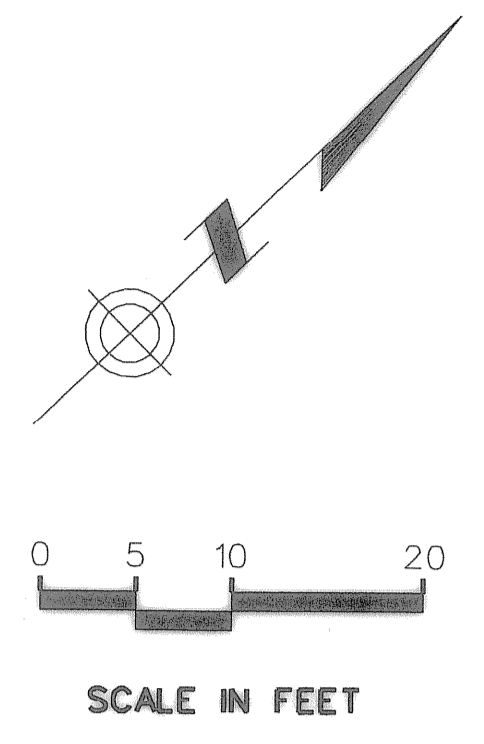


NOTE:
TO THE BEST OF OUR KNOWLEDGE ERIC L. DAVIS ENGINEERING, INC., HEREBY STATES
THAT THIS PLAN IS AS-BUILT. THE INFORMATION PROVIDED IS BASED ON SURVEYING
CONDUCTED AT THE SITE AND INFORMATION PROVIDED BY THE CONTRACTOR.

SHORELINE PLAZA ADDITION
Cab. D, Slide 289,
P.R.R.C.T.
Lot 3, Block A



Radius=779.64'
Length=150.83'
Delta=11°05'04"
Chrd. Brng.=S30°13'01"E
Chrd. Length=150.60'

PI STATION = 2+29.17
DELTA = 8° 24' 33.71" (RT)
DEGREE OF CURVE = 6° 57' 08.58"
TANGENT = 60.59
LENGTH = 120.96
RADIUS = 824.12
PC STATION = 1+68.58
PT STATION = 2+89.54

IMPERVIOUS AREA = 11,350 SF
LANDSCAPE AREA = 13,650 SF

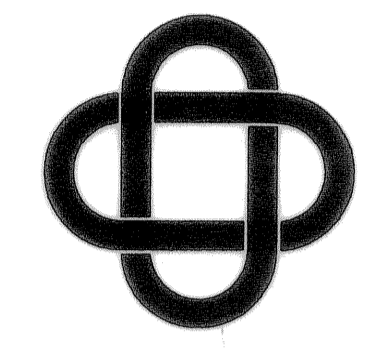
John J. Tomoino
Volume 2497, Page 119,
D.R.R.C.T.

PI STATION = 1+40.38
DELTA = 78° 25' 52.62" (LT)
DEGREE OF CURVE = 112° 20' 40.80"
TANGENT = 41.62
LENGTH = 69.81
RADIUS = 51.00
PC STATION = 0+98.77
PT STATION = 1+68.58

ALL PAVING DIMENSIONS ARE
FACE OF CURB TO FACE OF CURB

Shoreline Plaza_02_Site_Plan.sht
PLOTTED BY: David
2/22/2008 10:45:41 AM

REVISION	DATE	BY	REV



ERIC L. DAVIS
ENGINEERING, INC.
425 Pinson Road Ste. G
Forney, Texas 75126
972/564-0592 Fax 972/564-6523
E-Mail ericdavis@eidengineering.com

SITE PLAN
SHORELINE PLAZA
CITY OF ROCKWALL, ROCKWALL CO, TEXAS

DEVELOPER:	
JOB NO. 1:	
DRAWN BY:	
CHECKED BY:	
DATE:	

AS-BUILT



SCALE: 1"=10'

SHEET 2 OF 14

SHEET 2