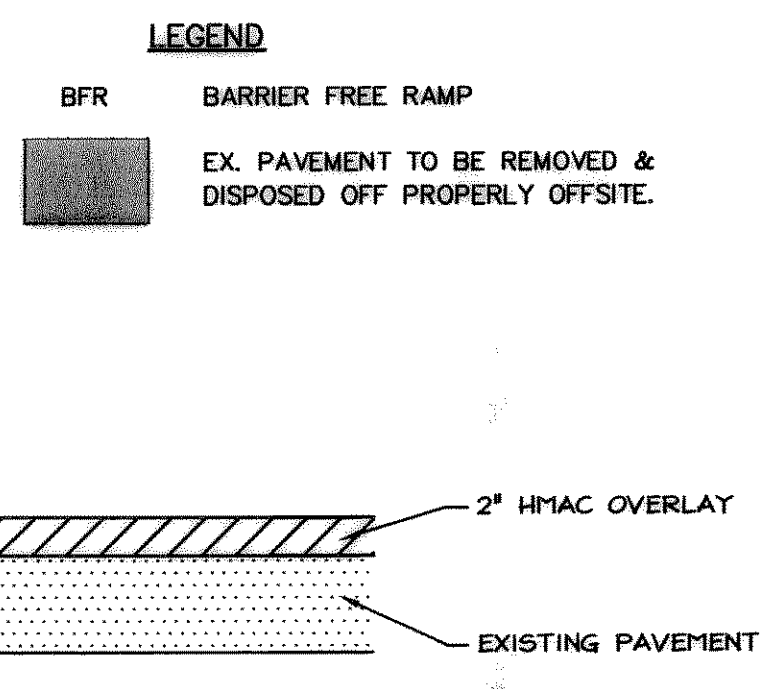
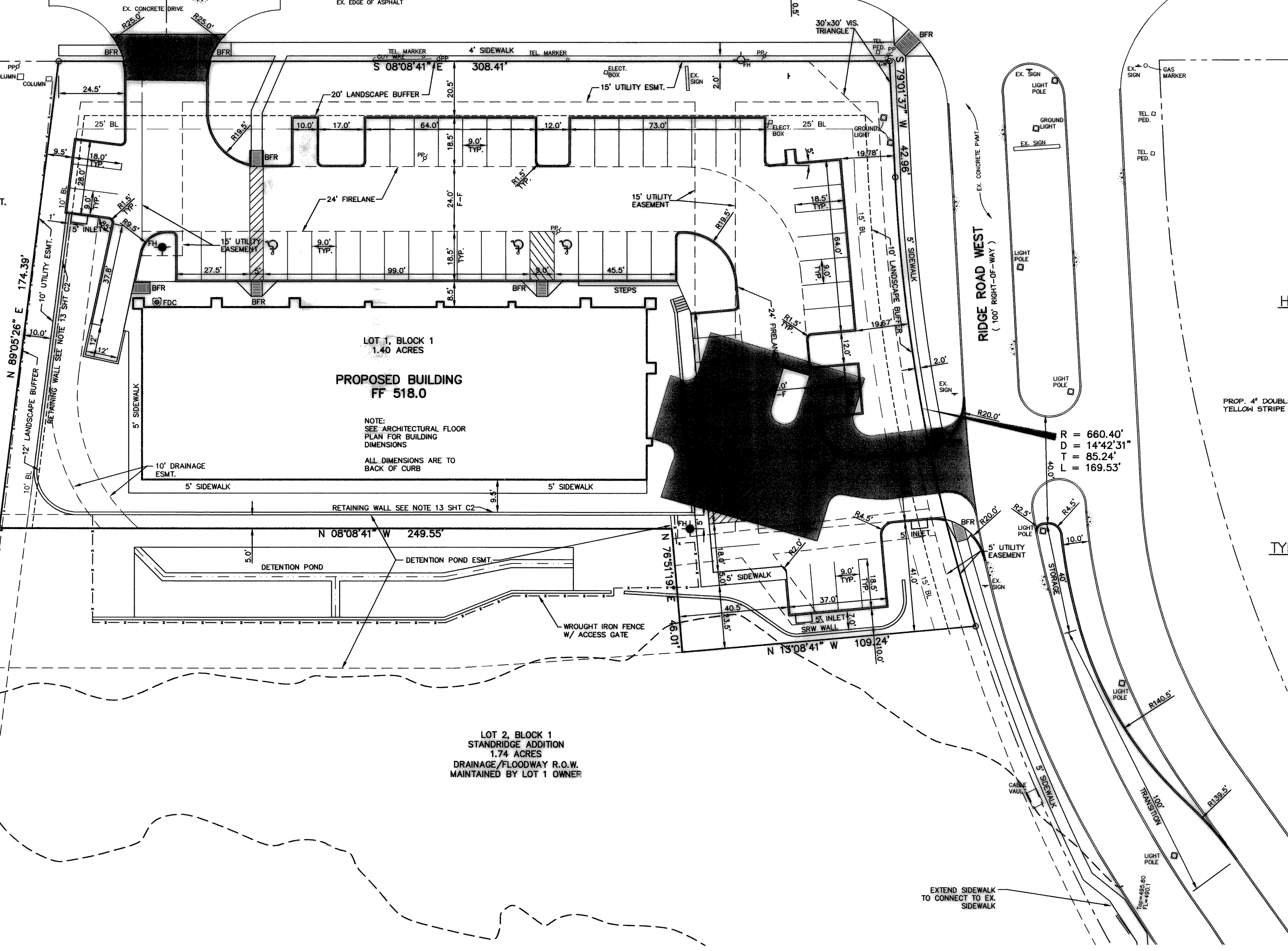
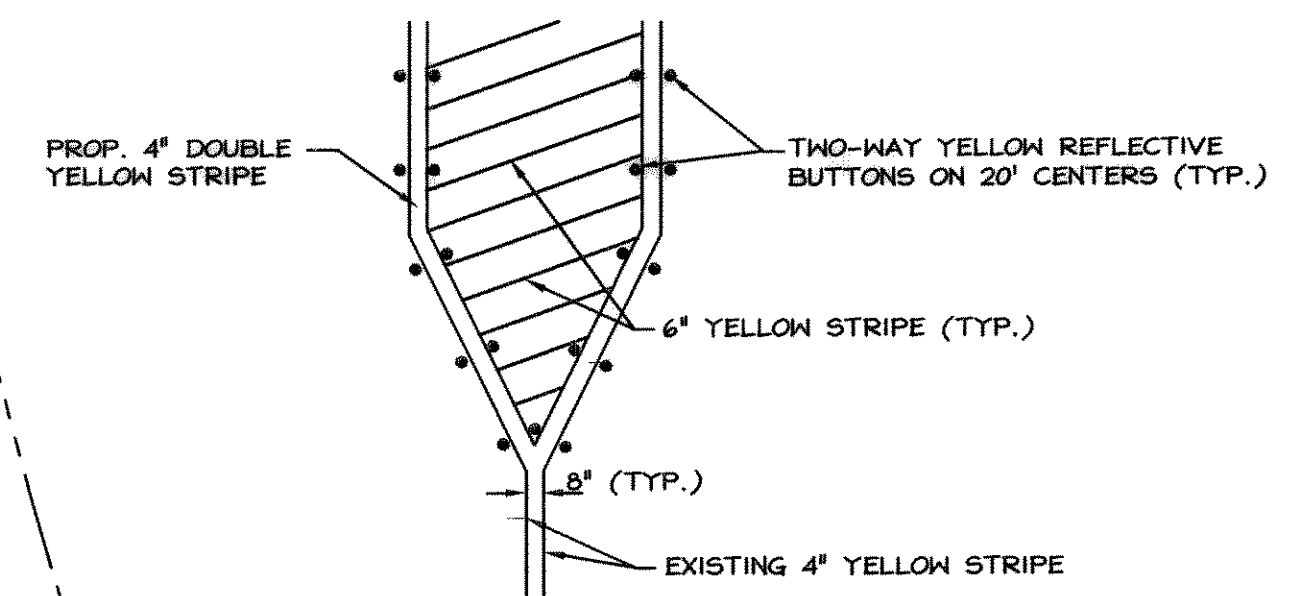


STEPHEN BRADISH, SR.
VOL. 940, PG. 265 D.R.C.C.
ZONED: AG
EXISTING RESIDENCE



HMAC OVERLAY DETAIL
NO SCALE



TYPICAL STRIPING DETAIL
NO SCALE

4122 BROADWAY BLVD.
GARLAND, TEXAS 75043
PH. 972.240.4821
FAX. 972.240.0922

THE SEAL APPEARING ON THIS DOCUMENT WAS AUTHORIZED BY MARC O. BENTLEY, P.E. NO. 64980 ON 1/19/06

DIMENSION CONTROL
THE SHOPS AT RIDGE CREEK
CITY OF ROCKWALL, TEXAS

RECORD DRAWING

No.	Date	Revision
1	03/13/06	TxDOT REVISIONS

Scale: 1"=20'
File Name: Hwy205Site
Date: OCT. 2005
Project No.: 25127

Sheet **C1**

RECORD DRAWING
IMPROVEMENTS INDICATED ON THIS PLAN WHERE MADE IN ACCORDANCE WITH THE PROJECT PLANS & SPECIFICATIONS. THE DESIGN ENGINEER IS NOT AWARE OF ANY CHANGES TO THESE PLANS OTHER THAN THOSE INDICATED.
DATE: APRIL 11, 2007